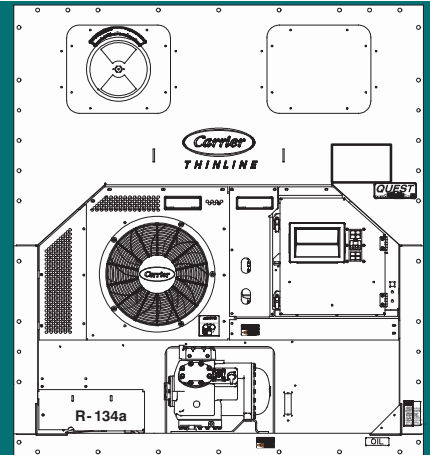
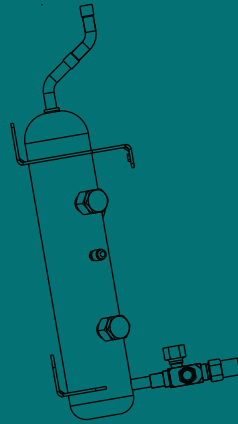
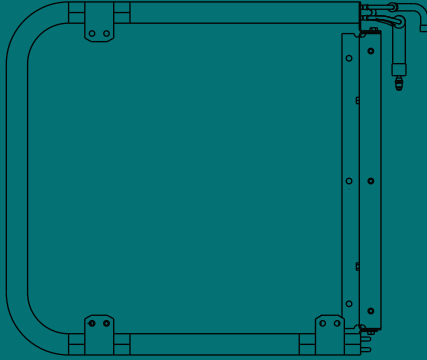




Container Refrigeration



PARTS LIST MANUAL

For

69NT40-541-505, 508 and 509

Upflow Container Refrigeration Units

T-368PL



PARTS LIST MANUAL

For

69NT40-541-505, 508 and 509

Upflow Container Refrigeration Units

TABLE OF CONTENTS

PARAGRAPH NUMBER/SECTION	PAGE
1.1 INTRODUCTION	1-1
1.2 CONFIGURATION IDENTIFICATION	1-1
1.3 FEATURE DESCRIPTIONS	1-1
1.4 OPTION DESCRIPTIONS	1-2
1.5 ORDERING INSTRUCTIONS	1-3
1.6 LETTER DESIGNATIONS	1-3
REFRIGERATION UNIT - AREA LOCATOR	6
AIR EXCHANGE KIT, LOWER	8
UPPER FRESH AIR - BLANK PANEL	11
UPPER FRESH AIR - VPS PANEL	12
BACK PANEL KIT	14
BOX PREP KIT	18
BULKHEAD PENETRATION - UPPER AIR EXCHANGE	20
CABLE ASSEMBLY	22
CABLE	24
CABLE RESTRAINT COMPONENTS	26
COMPRESSOR TUBE KIT	28
CONDENSER KIT	30
CONDENSER FAN KIT	34
TRANSFRESH KIT	36
EVERFRESH PANEL ASSEMBLY	38
CONTROLLER KIT	39
CONTROLLER MODULE SECTION AND SOFTWARE CARDS	44
CONTROLLER DOOR KIT, SCREW	46
DRAIN	49
AUTOTRANSFORMER	50
HEATER KIT	55
EVAPORATOR FAN AND MOTOR KIT	56
EVAPORATOR KIT	58
FRAME KIT	62
INTERROGATE KIT	66
LABEL KIT	68
PANEL KIT	69
RMU KIT	70
USDA KIT	71
WIRING KIT	72
COMPRESSOR MOUNTING, GUARD, CRANKCASE HEATER COMPONENTS	76
WIRING ASSEMBLY, HIGH VOLTAGE HARNESS	79
HARNESS - LOW VOLTAGE	82
COMPRESSOR ASSEMBLY	84

SECTION 1

INTRODUCTION

1.1 INTRODUCTION

The Carrier Transicold model 69NT40-541-505, 508, and 509 series units are of lightweight aluminum frame construction designed to fit in the front of a container and serve as the container's front wall.

They are one piece, self-contained, all-electric units, which include cooling and heating systems to provide precise temperature control.

The units are supplied with a complete charge of refrigerant R-134a and compressor lubricating oil, and are ready for operation upon installation. Forklift pockets are provided for unit installation and removal.

The base unit operates on nominal 380/460 volt, 3-phase, 50/60 hertz power. An optional autotransformer may be fitted to allow operation on nominal 190/230, 3 phase, 50/60 hertz power. Power for the control system is provided by a transformer, which steps the supply power down to 18 and 24 volts, single phase.

The controller is a Carrier Transicold Micro-Link 3 microprocessor. The controller operates automatically to select cooling, holding or heating as required to maintain the desired set point temperature within very close limits. The unit may also be equipped with an electronic temperature recorder.

The controller has a keypad and display for viewing or changing operating parameters. The display is also equipped with lights to indicate various modes of operation.

1.2 CONFIGURATION IDENTIFICATION

Unit identification information is provided on a plate located near the compressor. The plate provides the unit model number, the unit serial number and the unit parts identification number (PID). The model number identifies the overall unit configuration while the PID provides information on specific optional equipment, factory provisions to allow for field installation of optional equipment and differences in detailed parts.

1.3 FEATURE DESCRIPTIONS

1.3.1 Control Box

Units are equipped with an aluminum control box, and may be fitted with a lockable door.

1.3.2 Controller

The unit is equipped with a Micro-Link 3 microprocessor system.

1.3.3 Temperature Readout

The unit is fitted with suction and discharge refrigerant temperature sensors. The sensor readings may be viewed on the controller display.

1.3.4 Pressure Readout

The is fitted with suction and discharge pressure transducers. The transducer readings may be viewed on the controller display.

1.3.5 Compressor

The unit is fitted with a single speed reciprocating compressor.

1.3.6 Condenser Coil

The unit is fitted with a two-row square formed condenser coil using 7mm tubing.

1.3.7 Condenser Grille

Condenser grilles are direct bolted.

1.3.8 Evaporator

The evaporator section is equipped with a hermetic thermal expansion valve (TXV) and a heat exchanger. The unit has six heaters.

1.3.9 Evaporator Fan Operation

Two evaporator fan motor operation systems are available. On units with Normal Evaporator Fan Operation, opening of an evaporator fan internal protector will shut down the unit. On units equipped with single evaporator fan capability, additional relays are installed to allow the unit to continue to operate on a single fan.

1.3.10 Plate Set

Each unit is equipped with a tethered set of wiring schematic and wiring diagram plates. The plate sets are ordered using a seven-digit base part number and a two-digit dash number.

1.4 OPTION DESCRIPTIONS

Various options may be factory or field equipped to the base unit. These options are described in the following sub-paragraphs.

1.4.1 Battery

The refrigeration controller may be fitted with standard replaceable batteries or a rechargeable battery pack. Rechargeable battery packs may be fitted in the standard location or in a secure location.

1.4.2 USDA

The unit may be supplied with fittings for additional temperature probes, which allow recording of USDA Cold Treatment data by the integral DataCORDER function of the Micro-Link refrigeration controller.

1.4.3 Interrogator

Units that use the DataCORDER function are fitted with interrogator receptacles for connection of equipment to download the recorded data. Two receptacles may be fitted; one is accessible from the front of the container and the other mounted inside the container (with the USDA receptacles).

1.4.4 Remote Monitoring

The unit may be fitted with a remote monitoring receptacle. This item allows connection of remote indicators for COOL, DEFROST and IN RANGE. Unless otherwise indicated, the receptacle is mounted at the control box location.

1.4.5 Quest-QCC

Compressor-Cycle Perishable Cooling (CCPC) is a method of temperature control used during steady-state perishable cooling that cycles the compressor on and off according to supply / return air temperature conditions.

1.4.6 Communications Interface Module

The unit may be fitted with a communications interface module. The communications interface module is a slave module which allows communication with a master central monitoring station. The module will respond to communication and return information over the main power line. Refer to the ship master system technical manual for further information.

1.4.7 460 Volt Cable

Various power cable and plug designs are available for the main 460 volt supply. The plug options tailor the cables to each customer's requirements.

1.4.8 Autotransformer

An autotransformer may be provided to allow operation on 190/230, 3-phase, 50/60 hertz power. The autotransformer raises the supply voltage to the nominal 380/460 volt power required by the base unit. The autotransformer may also be fitted with an individual circuit breaker for the 230 volt power. If the unit is equipped with an autotransformer and communications module, the autotransformer will be fitted with a transformer bridge unit (TBU) to assist in communications.

1.4.9 230 Volt Cable

Units equipped with an autotransformer require an additional power cable for connection to the 230 volt source. Various power cable and plug designs are available. The plug options tailor the cables to customer requirements.

1.4.10 Gutters

Rain gutters may be fitted over the control box to divert rain away from the controls.

1.4.11 Handles

The unit may be equipped with handles to facilitate access to stacked containers.

1.4.12 Thermometer Port

The unit may be fitted with ports in the front of the frame for insertion of a thermometer to measure supply and/or return air temperature. If fitted, the port(s) will require a cap and chain.

1.4.13 Back Panels

Aluminum back panels may have access doors and/or hinge mounting.

1.4.14 Cable Restraint

Various designs are available for storage of the power cables. These options are variations of the compressor section front cover.

1.4.15 Upper Air (Fresh Air Makeup)

The unit may be fitted with an upper fresh air makeup assembly. The fresh air makeup assembly is available with a vent positioning sensor (VPS) and may also be fitted with screens.

1.4.16 Labels

Safety Instruction and Function Code listing labels differ depending on the options installed. Labels available with additional languages are listed in the parts list.

1.4.17 Display Module

The unit may be fitted with a backlit Liquid Crystal Display (LCD) or a Light Emitting Diode (LED) Display.

1.4.18 Emergency Bypass

The optional Emergency Bypass switch (EB) functions to bypass the controller in the event of controller failure.

1.5 ORDERING INSTRUCTIONS

All orders and inquiries for parts must include: Parts Identification Number (**PID**), Model Number, Unit Serial Number, Part Number, Description of part as shown on list and Quantity required. Address all correspondence for parts to the following address:

CARRIER TRANSICOLD DIVISION
Replacement Components Group, TR-20
P.O. Box 4805, Syracuse, New York 13221
or FAX to: (315) 432-3778

1.6 LETTER DESIGNATIONS

The following letter designations are used to classify parts throughout this list:

A/R= As Required

N/A= Not Available

NS = Not shown in illustration

NSS = Not sold separately – Order next higher assembly or kit

PID = Parts Identification Number – essential to identify unit configuration.

PL = Purchase Locally

SST = Stainless Steel – 300 Series unless otherwise specified.

SV = Suffix SV – added to part number designates service replacement part.

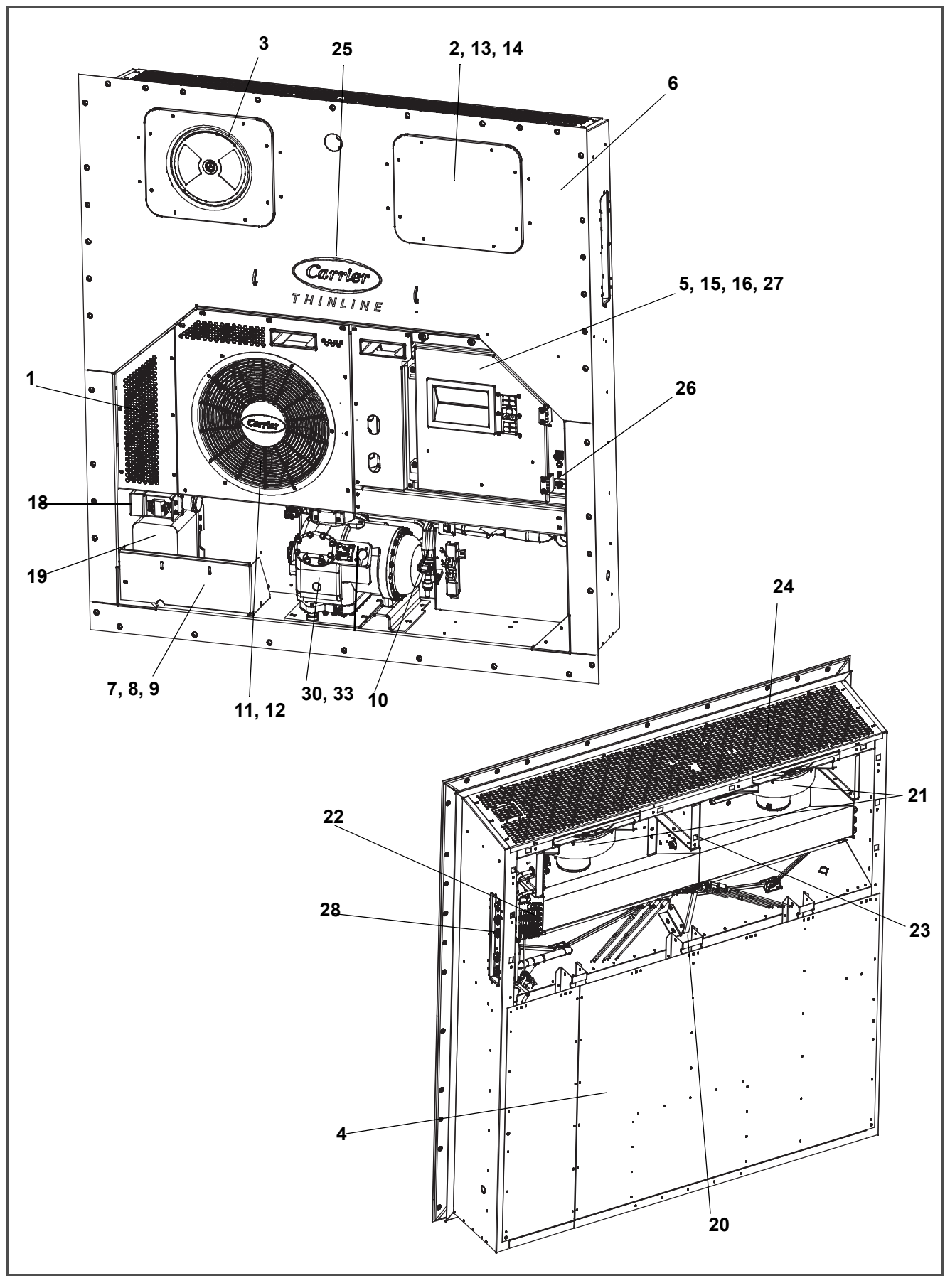
SECTION 2

SERVICE PARTS LIST

Quick List - Clamps, Filter-Drier, fuse, Ty-Raps, Wire Terminals & Replacement Frames	
Part Number	Description
34-00373-51	Clamp, Tube, 1/4 - SST
34-00373-53	Clamp, Tube, 3/8 - SST
34-00373-05	Clamp, Tube, 1/2 - SST
34-00373-07	Clamp, Tube, 5/8 - SST
34-00373-59	Clamp, Tube, 3/4 - SST
34-00373-11	Clamp, Tube, 7/8 - SST
34-00373-65	Clamp, Tube, 1- 1/8 - SST
34-00373-88	Clamp, Tube, 1- 1/4 - SST
34-00373-69	Clamp, Tube, 1- 3/8 - SST
34-00373-71	Clamp, Tube, 1- 1/2 - SST
22-00066-01	Connector, Butt End, Wire Range - 22 to 16 AWG
22-00066-02	Connector, Butt End, Wire Range - 16 to 14 AWG
22-00066-03	Connector, Butt End, Wire Range - 12 to 10 AWG
22-00041-00	Connector, Closed End, Wire Range - 22 to 14 AWG
22-00041-02	Connector, Closed End, Wire Range - 18 to 10 AWG
14-00341-07	Filter Drier 1/2 Flare, "O" Ring
14-00341-11	Filter Drier Aluminum Coated, 1/2 Flare, "O" Ring
22-02336-02	Fuse, 5 Amp (F1, F2, & FED)
22-02336-04	Fuse, 10 Amp (FEB)
22-02336-08	Fuse, 7.5 Amp (F3A & F3B)
22-01140-01	Ring Terminal, #6, Wire Range - 12 to 10 AWG
22-01140-02	Ring Terminal, #10, Wire Range - 12 to 10 AWG
22-01140-04	Ring Terminal, 3/8, Wire Range - 12 to 10 AWG
22-00119-04	Ring Terminal, 1/4, Wire Range - 12 to 10 AWG
22-00120-04	Ring Terminal, #10, Wire Range - 16 to 14 AWG
22-00120-07	Ring Terminal, 5/16, Wire Range - 16 to 14 AWG
22-00121-07	Ring Terminal, #10, Wire Range - 22 to 16 AWG
22-01139-04	Ring Terminal, 3/8, Wire Range - 16 to 14 AWG
22-01141-01	Spade Terminal, 1/4 x 5/16, Wire Range - 16 to 14 AWG
22-00595-01	Spade Terminal, 3/8, Wire Range - 12 to 10 AWG

22-01106-00	Spiral Wrap, 1/4 Diameter x 25 ft. lg.
22-01107-00	Spiral Wrap, 1/2 Diameter x 25 ft. lg.
66U1-3803	Tube, Heat Shrink, 1/4 ID x 2- 1/8 lg.
66U1-3803-1	Tube, Heat Shrink, 1/2 ID x 2- 3/4 lg.
44-01043-05	Ty- Raps, 5- 1/2 inches lg.
44-01043-07	Ty- Raps, 11.00 inches lg.
22-50007	Series Wire Markers
07-00345-00	Sealant, Pipe (Used to seal fittings on unit with R- 134a)
07-00313-00	Cleaner, Coil
76-00397-01	Paint, Compressor Touch- Up, Blue

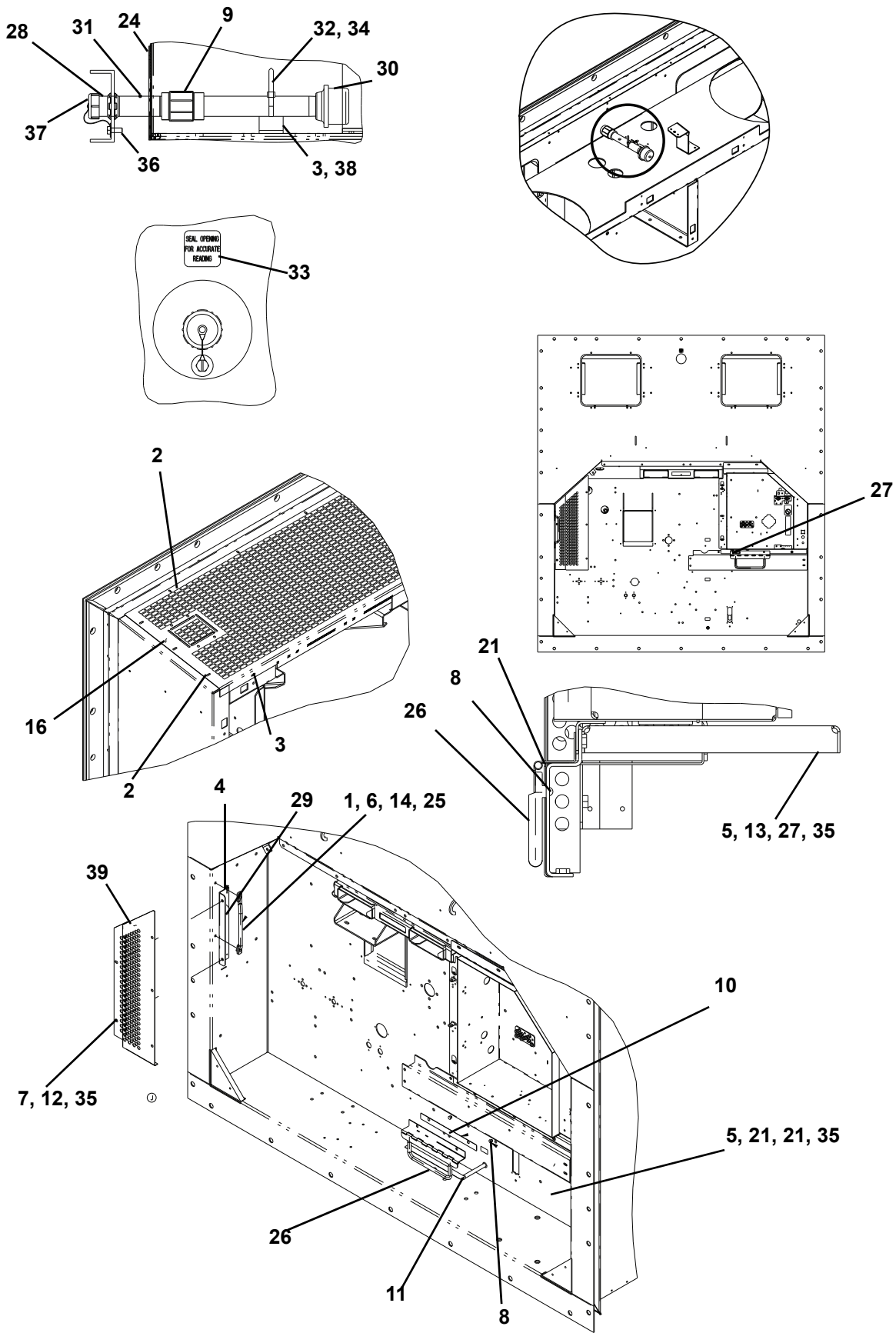
3 REFRIGERATION UNIT - AREA LOCATOR (SHEET 1 OF 2)



3 REFRIGERATION UNIT - AREA LOCATOR (SHEET 2 OF 2)

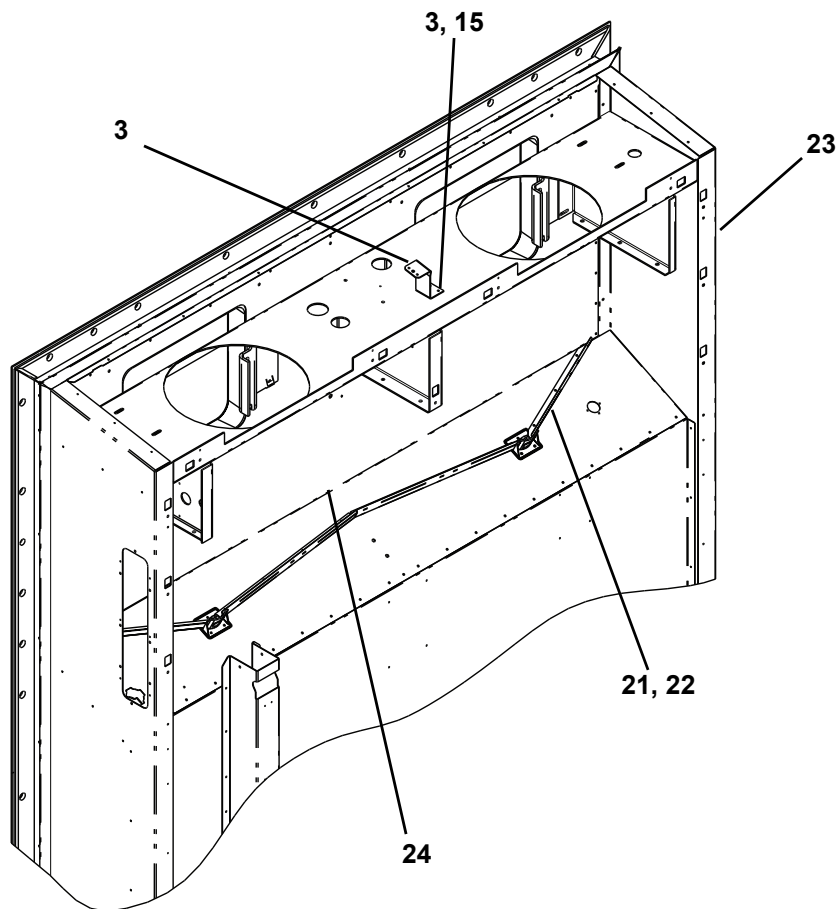
Item	Refer to Chapter	Description
1	Refer to Ch. 4	AIR EXCHANGE KIT, LOWER, NONE, HANDLE
2	Refer to Ch. 5	UPPER FRESH AIR - Blank Panel
3	Refer to Ch. 6	UPPER FRESH AIR - VPS Panel
4	Refer to Ch. 7	BACK PANEL KIT
5	Refer to Ch. 8	BOX PREP KIT
6	Refer to Ch. 9	BULKHEAD PENETRATION - UPPER AIR EXCHANGE
7	Refer to Ch. 10	CABLE ASSEMBLY
8	Refer to Ch. 11	CABLE KIT
9	Refer to Ch. 12	CABLE RESTRAINT COMPONENTS
10	Refer to Ch. 13	COMPRESSOR TUBE KIT
11	Refer to Ch. 14	CONDENSER KIT
12	Refer to Ch. 15	CONDENSER FAN KIT
13	Refer to Ch. 16	CONTROLLED ATMOSPHERE - TRANSFRESH
14	Refer to Ch. 17	EVERFRESH PANEL ASSEMBLY
15	Refer to Ch. 18	CONTROLLER KIT
16	Refer to Ch. 19	CONTROLLER MODULE SECTION AND SOFTWARE CARDS
17	Refer to Ch. 20	CONTROLLER DOOR KIT
18	Refer to Ch. 21	DRAIN
19	Refer to Ch. 22	AUTOTRANSFORMER
20	Refer to Ch. 23	HEATER KIT
21	Refer to Ch. 24	EVAPORATOR FAN AND MOTOR KIT
22	Refer to Ch. 25	EVAPORATOR KIT
23	Refer to Ch. 26	FRAME KIT
24	Refer to Ch. 27	INTERROGATE KIT
25	Refer to Ch. 28	LABEL KIT
26	Refer to Ch. 29	PANEL KIT
27	Refer to Ch. 30	RMU KIT
28	Refer to Ch. 31	USDA KIT
29	Refer to Ch. 32	WIRING KIT (Not Shown)
30	Refer to Ch. 33	COMPRESSOR MOUNTING, GUARD, CRANKCASE HEATER COMPONENTS
31	Refer to Ch. 34	WIRING ASSEMBLY, HIGH VOLTAGE HARNESS (Not Shown)
32	Refer to Ch. 35	HARNESS - LOW VOLTAGE (Not Shown)
33	Refer to Ch. 36	COMPRESSOR ASSEMBLY

4 AIR EXCHANGE KIT, LOWER (SHEET 1 OF 3)



77-01677

4 AIR EXCHANGE KIT, LOWER (SHEET 2 OF 3)



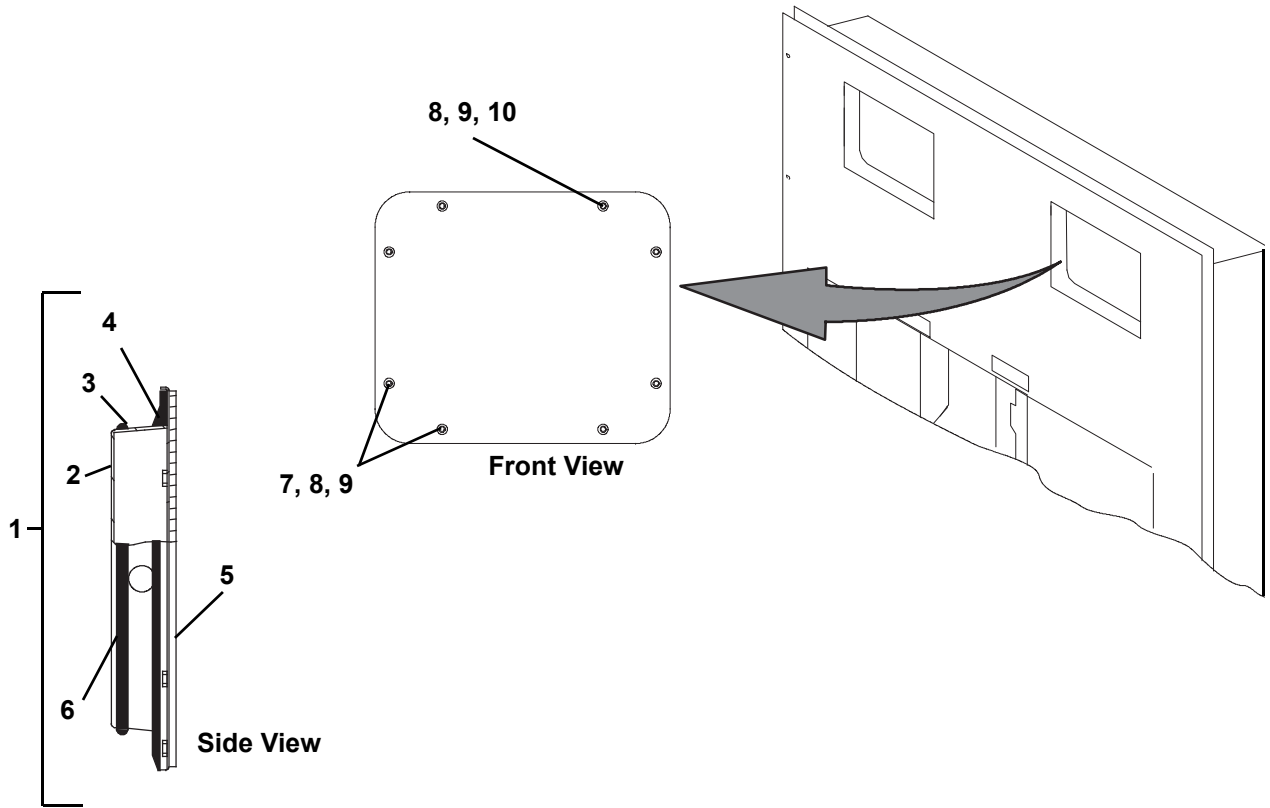
77-01677

Item	Part Number	Description	Qty
1	34-00792-07	Screw, Cap Hex Head	2
2	34-00928-07	Rivet, Blind	16
3	34-00928-09	Rivet, Blind	9
4	34-00928-20	Rivet, Blind	2
5	34-06053-00	Washer	6
6	34-06053-15	Washer	2
7	34-06053-18	Washer, Rtnng	5
8	58-04480-00	Bumper, Rubber	2
9	58-04499-00	Pipe, PVC	1
10	58-04910-06	Protector	1
11	58-04910-07	Protector	1
12	66U-1-5321-3	Washer, Plain	5
13	66U-1-5321-7	Washer, Plain	6
14	66U-1-5331	Washer, Lock	2

4 AIR EXCHANGE KIT, LOWER (SHEET 3 OF 3)

15	68-16521-00	Bracket	1
16	68-16695-00	Grille	1
17	68-17037-00	Panel Blue	1
18	68-17037-01	Panel White	1
19	42-00065-01	Gasket	1
20	68-17118-00	Bracket	1
21	68-17129-03	Cover	1
22	68-17188-00	Gutter	1
23	68-17200-00	Channel	1
24	68-17344-02	Panel	1
25	69NT-35-8113	Handle	1
26	69NT-40-657-4	Handle Assembly	1
27	86-05078-00	Bracket	1
With Return Air Thermometer Port			
28	34-01121-00	Nut, Lock	2
29	34-06053-05	Washer	1
30	58-01094-02	Screen Assembly	1
31	58-01231-00	Nipple	1
32	58-04316-00	Base, Mounting	1
33	62-11276-00	Label	1
34	66U-1-3882	Wire Tie	1
35	66U-1-5361-25	Screw, Cap Hex Head	11
36	66U-1-5371-7	Screw, Machine Hex Head	1
37	66U-1-8662	Cap & Chain	1
38	68-14029-00	Bracket	1
Without Air Thermometer Port			
39	68-17044-00SV	Panel Blue Unit With Handles	1
			77-01677

5 UPPER FRESH AIR - BLANK PANEL

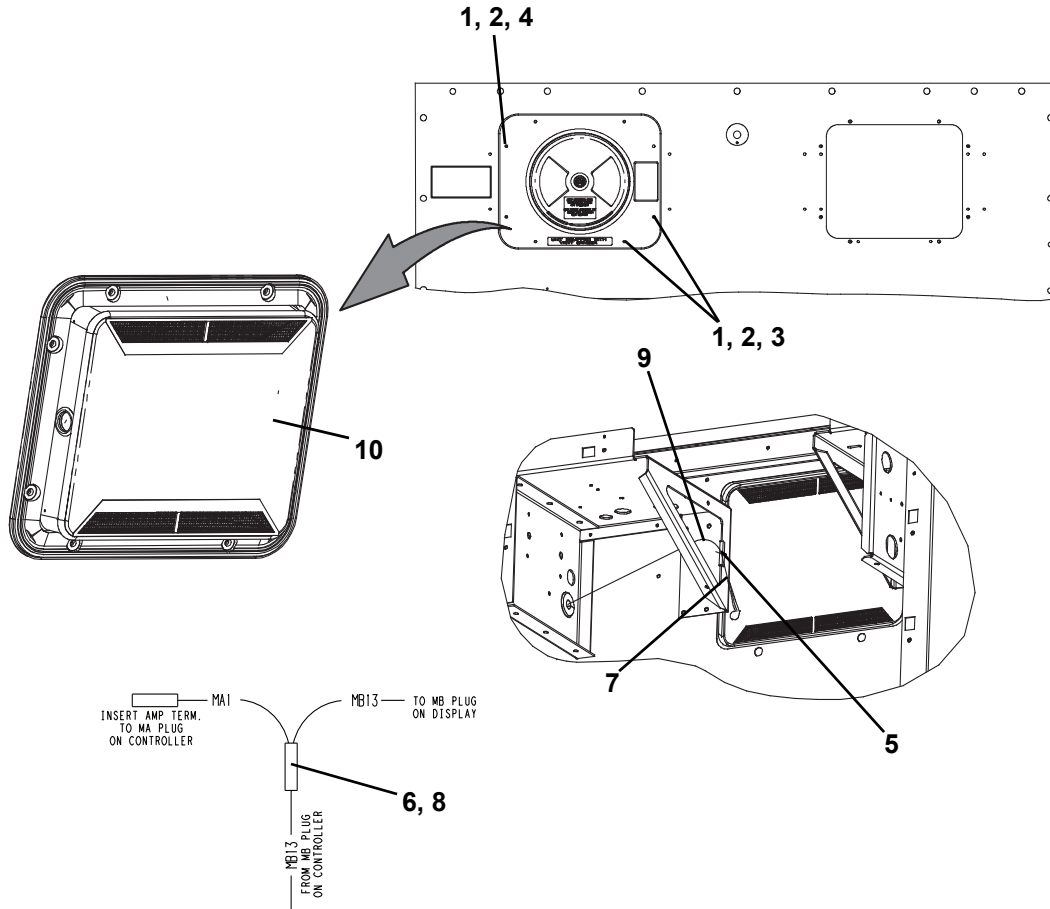


77-01114

Item	Part Number	Description	Qty
1	79-01697-06SV	Panel Assembly, Access, Evaporator, White - Includes:	A/R
2	58-04378-01	Panel, Access	1
3	42-00327-00	Gasket, 0.26 X 0.50 Half- Round	1
4	42-00296-01	Gasket, Evaporator Access Panel	1
5	68-11989-00	Cover, Top, Evaporator Access Panel, White	A/R
6	66U1-5562-2	Plug Button	1
7	34-06154-00	Screw, Hex Head, 1/4- 20 X 1.00 Inch Long - TIR	A/R
8	34-06053-13	Washer, Mylar	8
9	34-06212-12	Washer, Plain, 1/4	8
10	34-00655-08	Screw, Hex Head, 1/4- 20 X 1.00 Inch Long	A/R

77-01114-07

6 UPPER FRESH AIR - VPS PANEL (SHEET 1 OF 2)



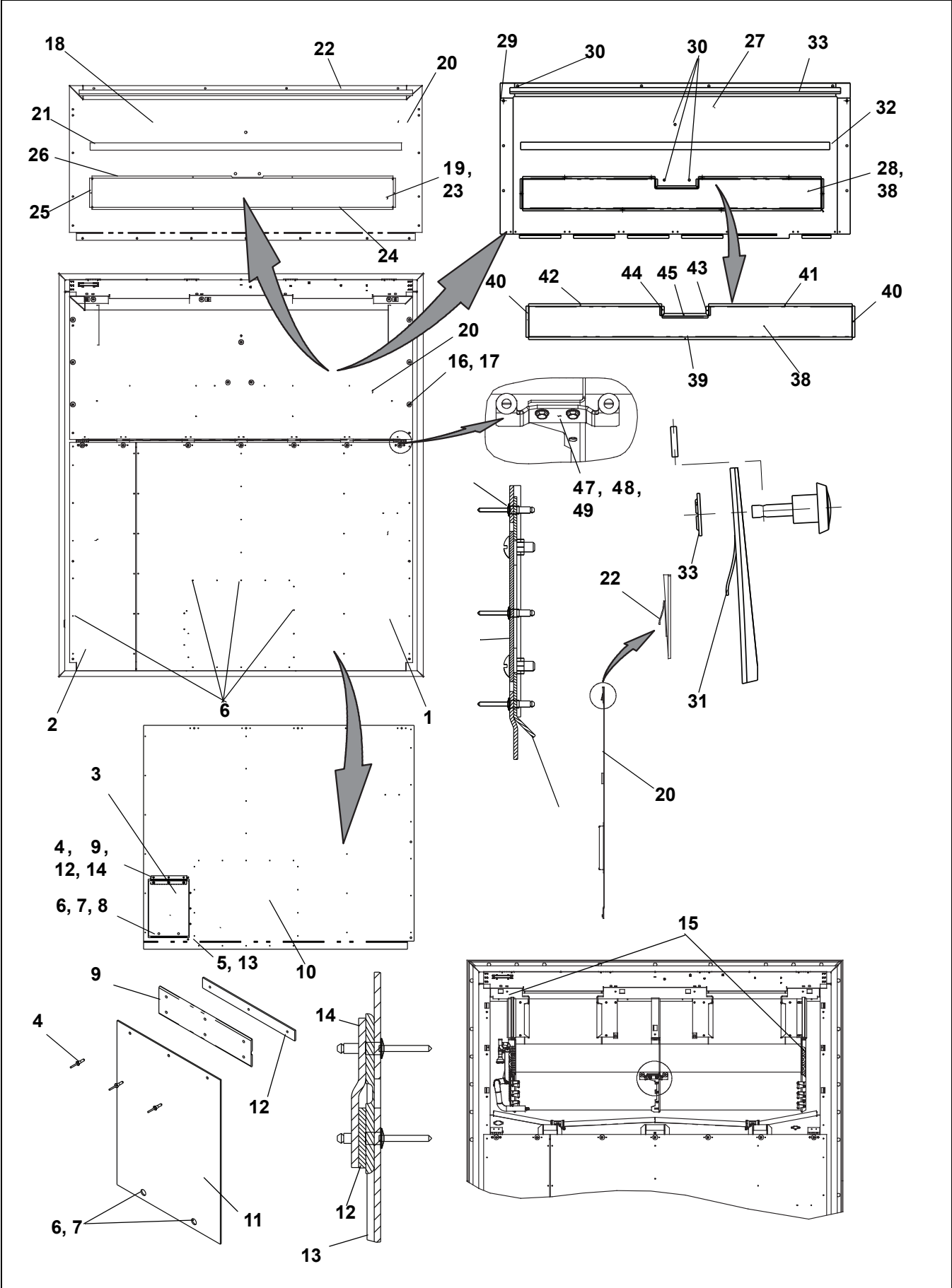
77-01658

Item	Part Number	Description	Qty
1	34-06053-18	Washer	8
2	34-06212-17	Washer, Plain	8
3	34-66627-00	Screw, Cap Hex Head	2
4	34-66644-00	Screw, Cap Hex Head	6
5	58-00969-00	Wire Tie	1
6	66U-1-2583-43	Tube	1
7	66U-1-8292-1	Cap, Insulating	3
8	66U-2-1132-2	Connector, Electrical	1
9	66CH-1-1172-2	Trim, Flexible	1
10	79-01695-00	Panel Assembly Includes:	1
11	34-06053-19	Washer	1
12	34-06185-01	Screw	1
13	42-00296-01	Gasket	1
14	42-00327-00	Gasket	1

6 UPPER FRESH AIR - VPS PANEL (SHEET 2 OF 2)

15	42-00407-00	Gasket	1
16	58-04376-03	Panel Assembly	1
17	66U-2552-185	Gasket	1
18	66U-1-5321-13	Washer, Plain	1
19	66-1-5362-2	Nut, Wing	1
20	66U-1-5562-2	Plug, Button	1
21	66CH-1-1002-33	Label	1
22	68-12933-00	Disc	1
23	68-12940-00	Cover	1
			77-01658

7 BACK PANEL KIT (SHEET 1 OF 3)



7 BACK PANEL KIT (SHEET 2 OF 3)

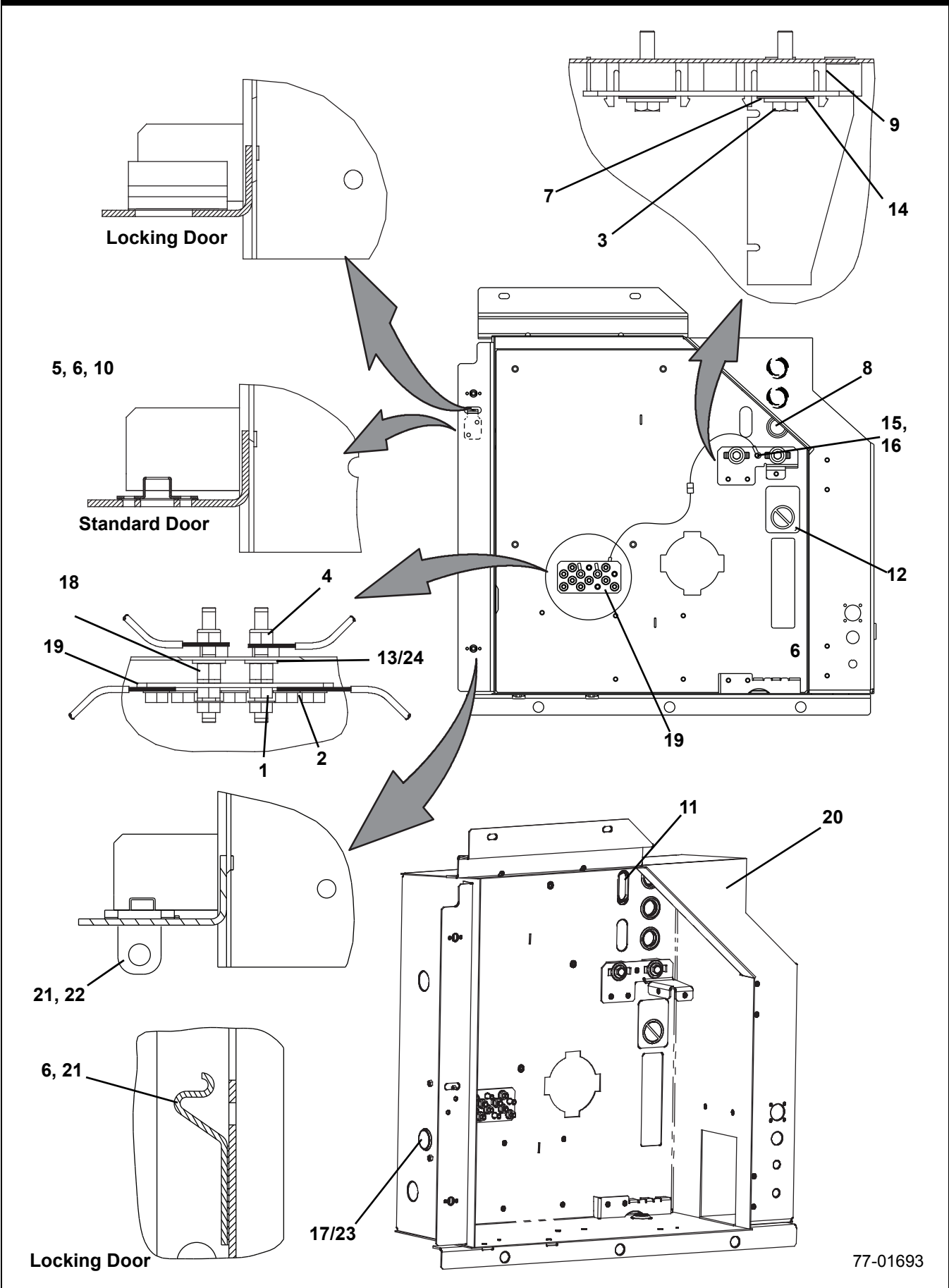
Item	Part Number	Description	Qty
1	68-17336-00	Panel, Back	1
2	68-17338-00	Lower Panel, Back	1
3	79-04143-01	Lower Back Panel Assembly Hinged Includes	1
4	34-00928-04	Rivet, Blind	6
5	34-00928-20	Rivet, Blind	6
6	34-01150-04	Stud, Captive	2
7	34-01150-30	Washer, Lock	2
8	34-01150-31	Receptacle	2
9	66U1-2803-11	Hinge	1
10	68-17336-01	Panel, Back	1
11	68-17719-00	Door, Access	1
12	69NT35-3286-1	Plate	1
13	69NT35-3296	Plate	1
14	69NT35-7662-4	Spacer, Hinge	1
15	66U1-2593-4	Gasket, "V" Type	2
16	69NT35-2692	Washer, Fender #10- .993- 1.015 OD	20
17	66U1-2403	Screw, Machine #10- 24 X .500 Sltd	20
18	79-04045-00	Upper Back Panel Assembly Includes:	1
19	34-00928-20	Rivet, Blind	6
20	68-17293-00	Panel Assembly, Back	1
21	42-00174-34	Gasket	1
22	42-00334-00	Gasket	1
23	68-17337-00	Shield, Heat	1
24	42-00174-110	Gasket	1
25	42-00174-111	Gasket	2
26	42-00174-116	Gasket	1
27	79-04045-03	Upper Panel Assembly, Back Hinged Include:	1
28	34-00928-20	Rivet, Blind	20
29	34-01150-03	Stud, Captive	6
30	34-01150-06	Stud, Captive	7
31	34-01150-30	Washer, Lock	13
32	42-00174-34	Gasket	1
33	42-00334-00	Gasket	1
34	66-U---1--2403	Screw	8

7 BACK PANEL KIT (SHEET 3 OF 3)

35	68-14124-01	Gutter	2
36	68-17293-03	Panel	1
37	68-17720-00	Panel, Access	2
38	79-66729-01	Shield Assembly includes:	1
39	42-00174-110	Gasket	1
40	42-00174-111	Gasket	2
41	42-00174-117	Gasket	1
42	42-00174-118	Gasket	1
43	42-00174-119	Gasket	1
44	42-00174-120	Gasket	1
45	42-00174-121	Gasket	1
46	NSS	Weld Assy	1
47	34-00655-04	Screw, Cap Hex Head 1/4- 20 X 0.50	2
48	66U1-5321-3	Washer, Plain 1/4 N Type A	2
49	68-17175-00	Bracket 0.188 Thick Aluminum	1

77-01692-00

8 BOX PREP KIT (SHEET 1 OF 2)

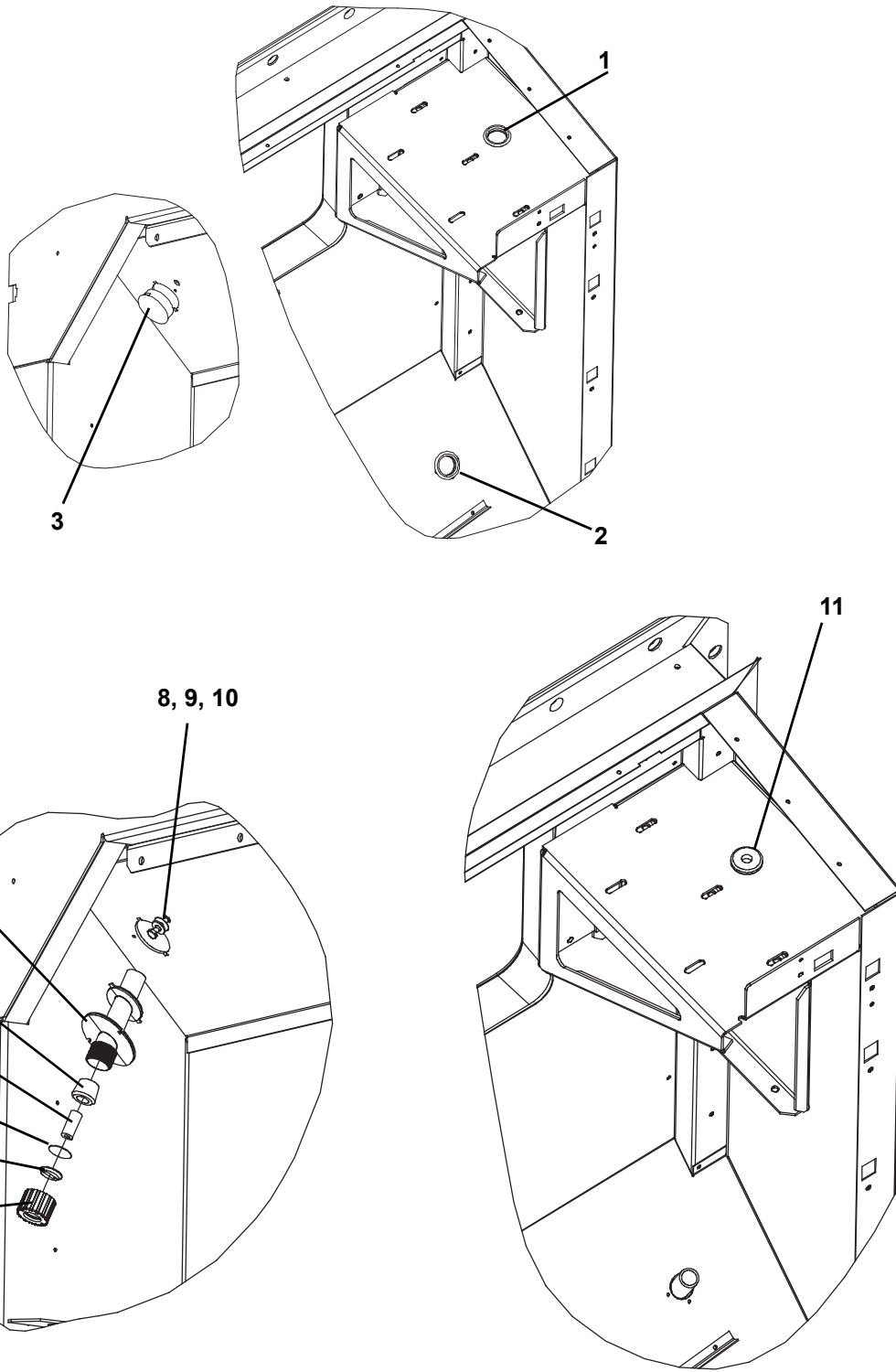


77-01693

8 BOX PREP KIT (SHEET 2 OF 2)

Item	Part Number	Description	Qty
1	--AT--39JA-171	Nut, Hex	13
2	--AU--27JR-171	Washer, Lock	11
3	34-00655-10	Screw, Cap Hex Head	2
4	34-00667-11	Nut, Self Lock	2
5	34-00928-01	Rivet, Blind	4
6	34-01142-01	Receptacle	2
7	34-06053-03	Washer	4
8	58-00701-03	Plug, Button	3
9	58-00967-00	Spacer	2
10	58-04026-32	Protector	2
11	58-04680-00	Plug, Button	1
12	62-10911-00	Label, Warning	1
13	66U-1-5321-3	Washer, Plain	2
14	66U-1-5321-7	Washer, Plain	2
15	66U-1-5321-8	Washer, Plain	1
16	66U-1-5371-7	Screw, Mach Hex Head	1
17	66U-1-5562-7	Plug, Button	1
18	66U-1-9592-13	Standoff	2
19	68-86230-00	Strap Assembly	1
20	79-66720-04	Controller Box	1
Locking Door Option			
21	34-00667-09	Nut, Self Lock	2
22	58-04910-09	Protector	1
23	66-U---1--5562-7	Plug, Button	1
24	66-U---1--9592-13	Standoff	2
			77-01693-00

9 BULKHEAD PENETRATION - UPPER AIR EXCHANGE (SHEET 1 OF 2)



No Recorder, No Transfresh

Item	Part Number	Description	Qty
1	66U1-5562-12	Plug, Button 1.25 Diameter Hole	1
2	66U1-5562-2	Plug, Button 1.25 Diameter Hole	1
3	58-00616-00	Plug, Hole 2.00 Diameter X .12	1

9 BULKHEAD PENETRATION - UPPER AIR EXCHANGE (SHEET 2 OF 2)

Recorder Provision

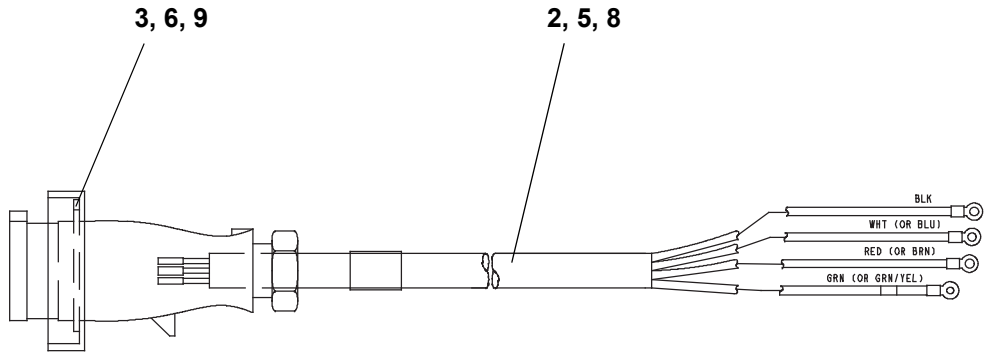
4	58-04290-01	Fitting Bulkhead	1
5	22-01602-02	Bushing	1
6	22-01602-03	Ring	1
7	22-01733-01	Nut	1
8	34-06154-03	Screw, Cap Hex Head 1/4- 20 X 1.00	1
9	34-06053-00	Washer .250 ID X .800 OD	1
10	66U1-5321-7	Washer, Plain 1/4 W Type A	1
11	66U1-5562-12	Plug, Button	1
12	69NT35-8258	Disc	1
13	34-00928-20	Rivet, Blind .1	5
14	58-04302-01	Grommet	1

Transfresh Installed

4	58-04290-01	Fitting Bulkhead	1
5	22-01602-02	Bushing	1
6	22-01602-03	Ring	1
7	22-01733-01	Nut	1
8	34-06154-03	Screw, Cap Hex Head 1/4- 20 X 1.00	1
9	34-06053-00	Washer .250 ID X .800 OD	1
10	66U1-5321-7	Washer, Plain 1/4 W Type A	1
11	66U1-5562-12	Plug, Button	1
13	34-00928-20	Rivet, Blind .1	5
14	58-04302-01	Grommet	1

77-01208-00, 03, 04

10 CABLE ASSEMBLY

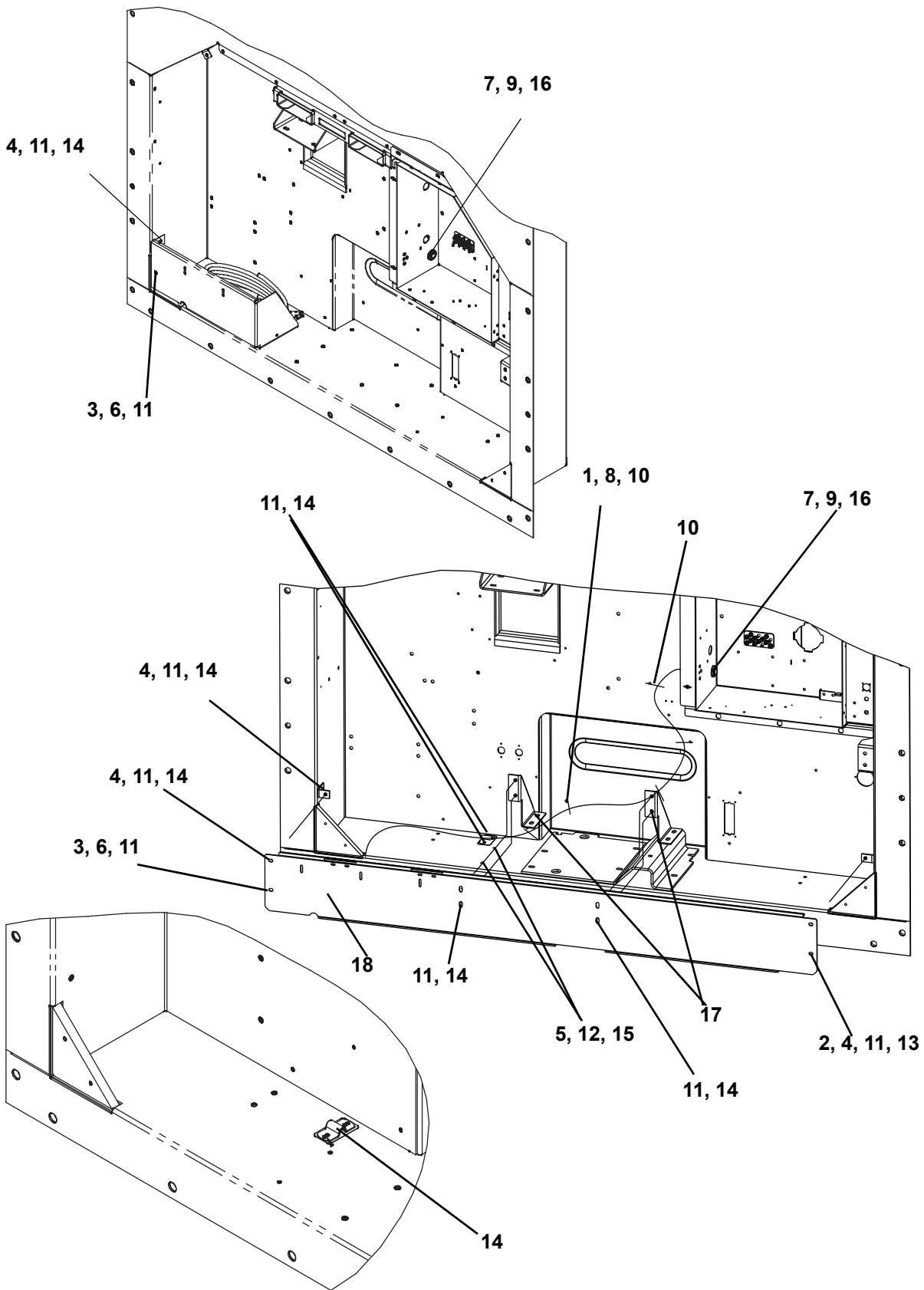


22-01879

Item	Part Number	Description	Qty
1	22-01879-33	Cable Assembly 6.33 ft	
2	22-66651-00	Cable	AR
3	22-02378-00	Plug	1
4	22-01879-59	Cable Assembly 63 ft	
5	22-66651-00	Cable	AR
6	22-02378-00	Plug	1
7	22-01879-68	Cable Assembly 8 ft	
8	22-66651-00	Cable	AR
9	22-02378-00	Plug	1

22-01879

11 CABLE (SHEET 1 OF 2)

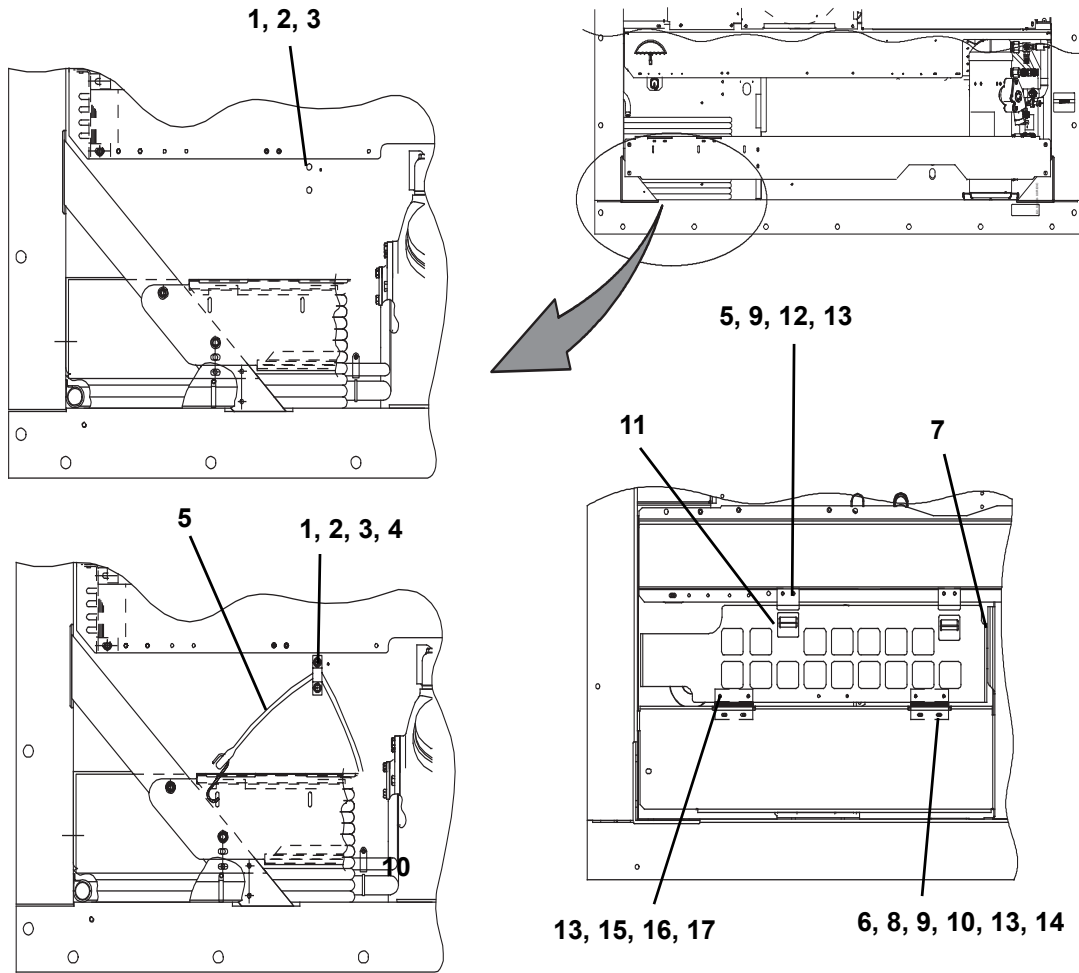


77-01661

11 CABLE (SHEET 2 OF 2)

Item	Part Number	Description	Qty
1	34-00663-09	Washer, Lock	3
2	34-00667-11	Nut, Self Lock	1
3	34-00792-07	Screw, Cap Hex Head	1
4	34-06053-00	Washer	5
5	34-06053-05	Washer	2
6	34-06053-15	Washer	5
7	34-06136-01	Nut, Lock	1
8	58-04246-00	Ty-Rap Base	3
9	66-U---1--1251-2	O-Ring	1
10	66-U---1--3882	Wire Tie	4
11	66-U---1--5321-7	Washer, Plain	12
12	66-U---1--5321-8	Washer, Plain	2
13	66-U---1--5361-11	Screw, Cap Hex Head	1
14	66-U---1--5361-25	Screw, Cap Hex Head	10
15	66-U---1--5371-6	Screw, Mach Hex Head	5
16	66-U---1--7352-3	Connector	1
17	68-13576-00	Bracket	2
18	68-17508-00	Guard	1
19	68-17509-00	Bracket	2
			77-01661

12 CABLE RESTRAINT COMPONENTS (SHEET 1 OF 2)

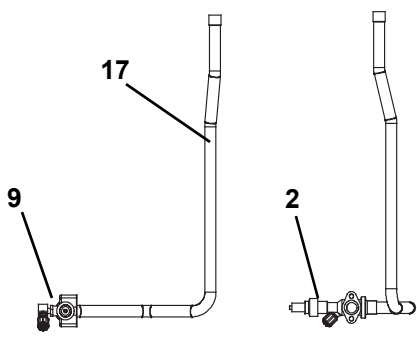
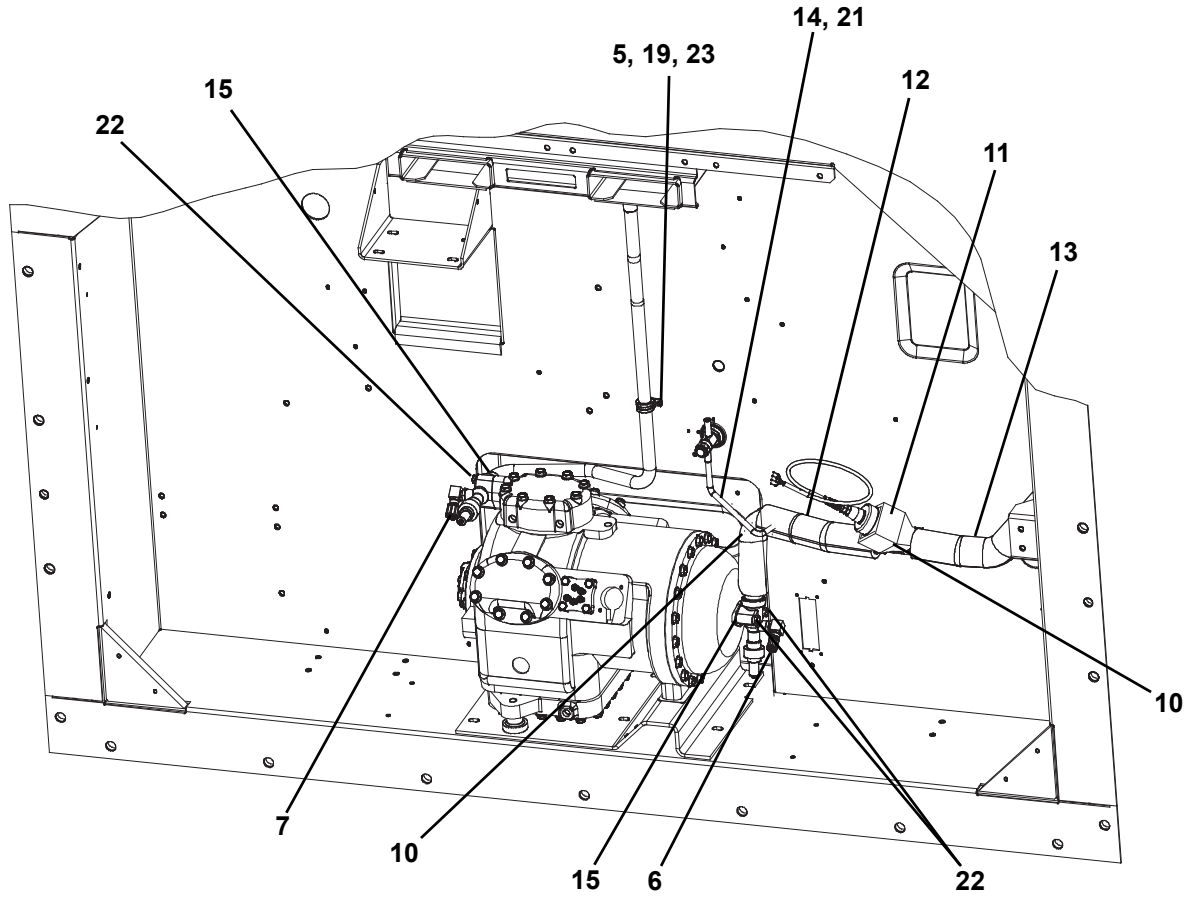


Item	Part Number	Description	Qty
1	66U1-5321-7	Washer, Flat, 1/4, SST	2
2	66U1-5361-25	Screw, Captive, Hex Head, 1/4- 20 X 0.75 Inches Long, SST	2
3	34-06053-03	Washer, Mylar, 0.25 ID X 1.00 OD	2
LEFT BUNGY W/GUARD EXTENSION			
4	69NT35-5992	Strap 16 Gage	1
5	66U1-2603	Strap, Tie Down	1
EXTENDED CABLE DOOR			
6	66U1-5321-8	Washer, Plain #10 Type A	8
7	68-86255-00	Cover	1
8	66U1-5331-3	Washer, Lock #10 Spring	6
9	66U1-2403	Screw, Machine #10- 24 X 0.500 Slotted	8
10	34-01167-01	Nut, Retainer #10- 24 X 1.75	2
11	44-00401-00	Latch, Door Spring Loaded	2
12	68-13707-02	Latch	2

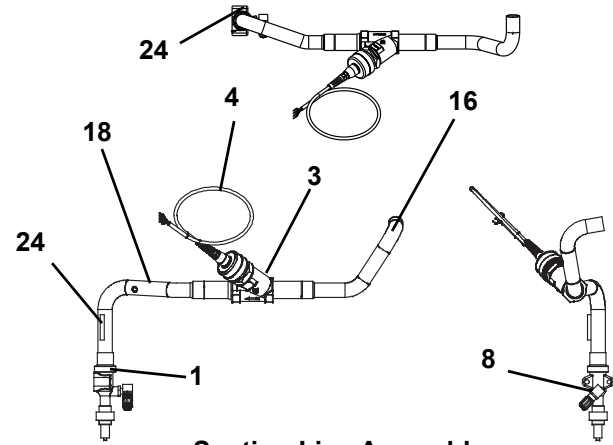
12 CABLE RESTRAINT COMPONENTS (SHEET 2 OF 2)

13	34-06053-05	Washer 0.205 ID X 0.600 OD	12
14	58-04001-01	Protector	2
15	44-00409-00	Hinge	2
16	58-04001-02	Protector	2
17	34-00928-13	Rivet, Blind	4
			69nt-43-379

13 COMPRESSOR TUBE KIT (SHEET 1 OF 2)



Discharge Line Assembly



Suction Line Assembly

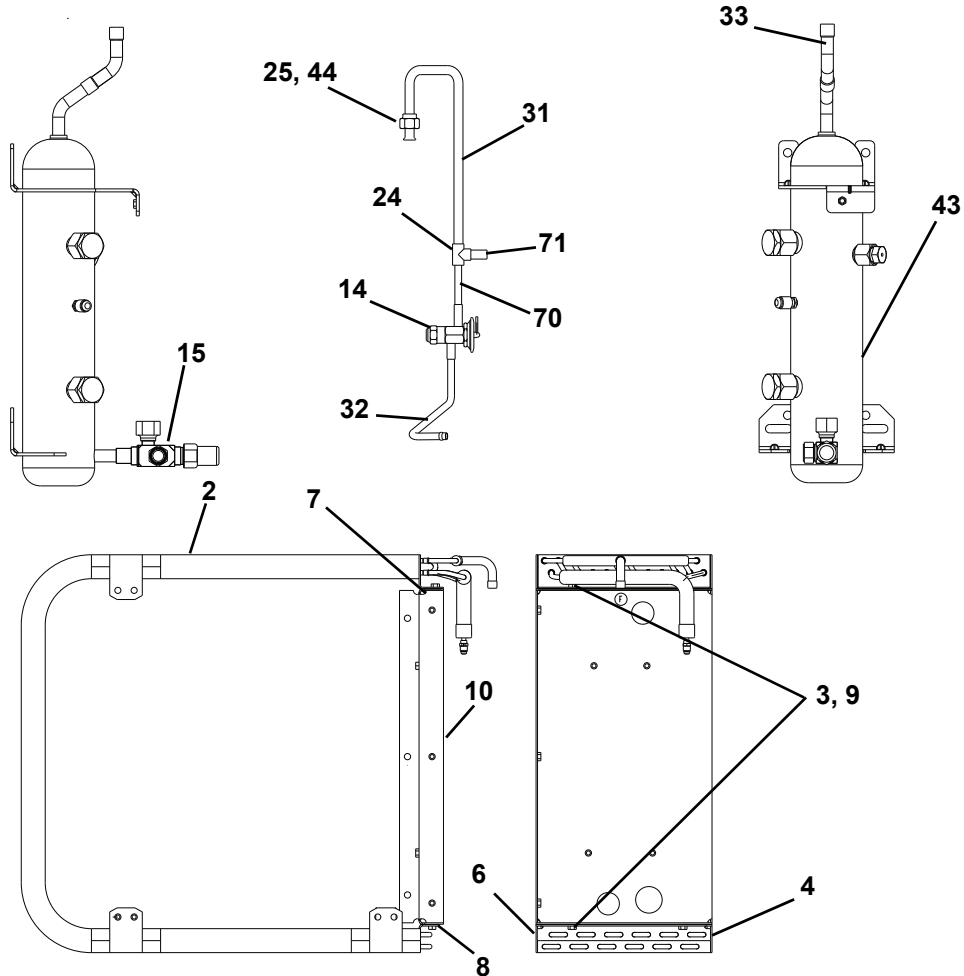
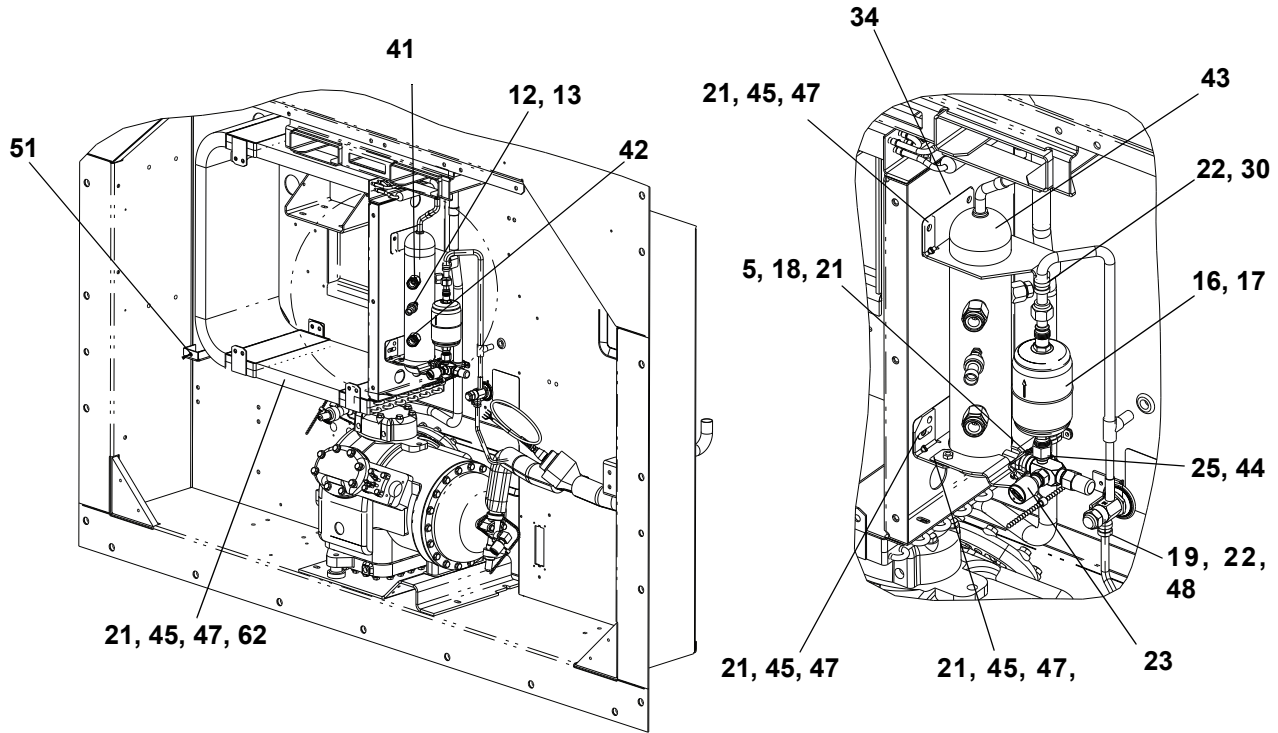
77-01604

13 COMPRESSOR TUBE KIT (SHEET 2 OF 2)

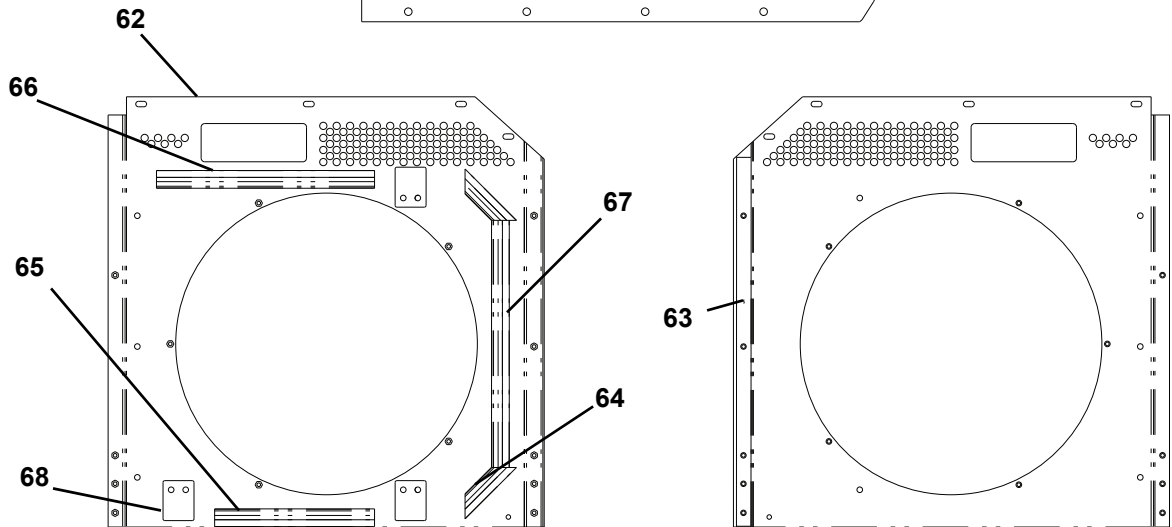
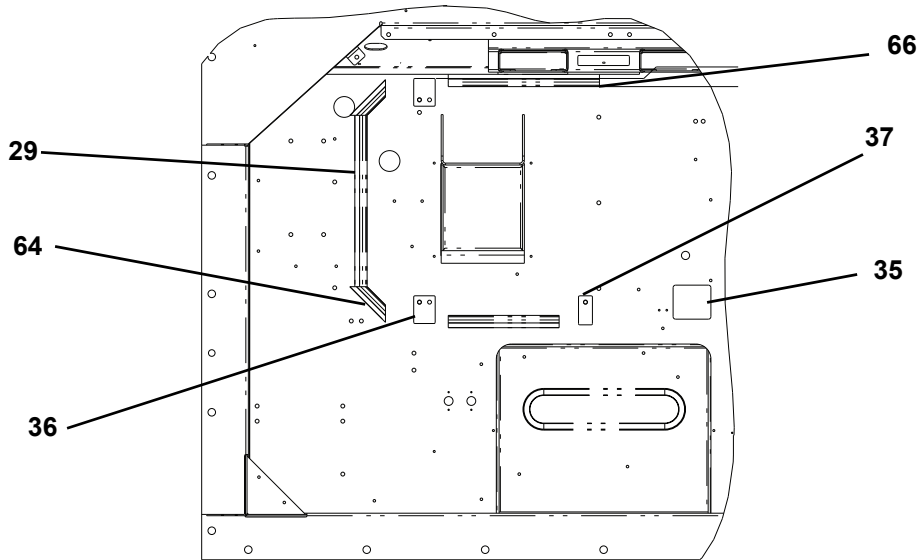
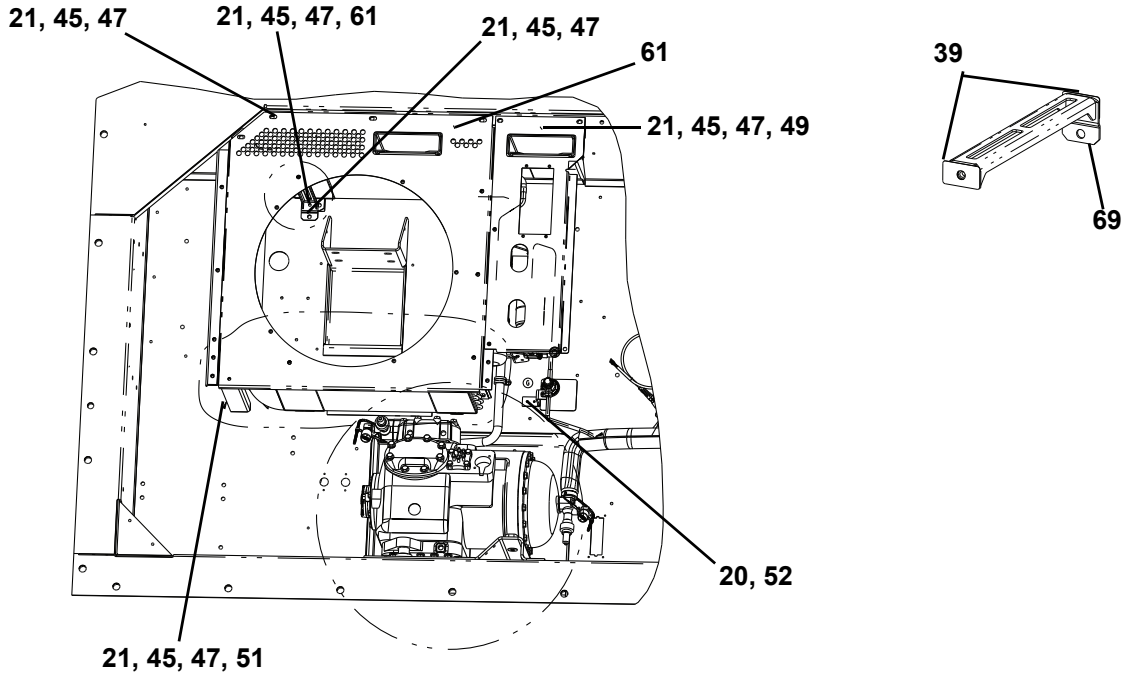
Item	Part Number	Description	Qty
1	14-00206-00	Valve, Service	1
2	14-00206-01	Valve, Service	1
3	14-00353-04	Valve	1
4	14-00353-20	Piston Motor Assembly	1
5	34-06053-03	Washer	1
6	40-00520-02	Cap	1
7	40-00520-03	Cap	1
8	40-00542-00	Elbow Adapter	1
9	40-00542-01	Elbow Adapter	1
10	42-00032-11	Insulation	6
11	42-00032-12	Insulation	5
12	42-00425-116	Insulation, Tube	1
13	42-00425-128	Insulation, Tube	1
14	42-00425-129	Insulation, Tube	1
15	42-66644-00	Gasket, Suction	2
16	56-08969-00	Tube, Suction	1
17	56-09024-00	Tube, Discharge	1
18	56-66743-00	Tube, Suction	1
19	66-U-1-3632-20	Clamp, Tube	1
20	66U-1-3882	Wire Tie	6
21	66-U-1-3882-3	Wire Tie	5
22	66U-1-5361-46	Screw, Cap Hex Head	4
23	66U-1-5371-6	Screw, Mach Hex Head	1
24	99TS0528CK002000	Tube	1

77-01604

14 CONDENSER KIT (SHEET 1 OF 4)



14 CONDENSER KIT (SHEET 2 OF 4)



14 CONDENSER KIT (SHEET 3 OF 4)

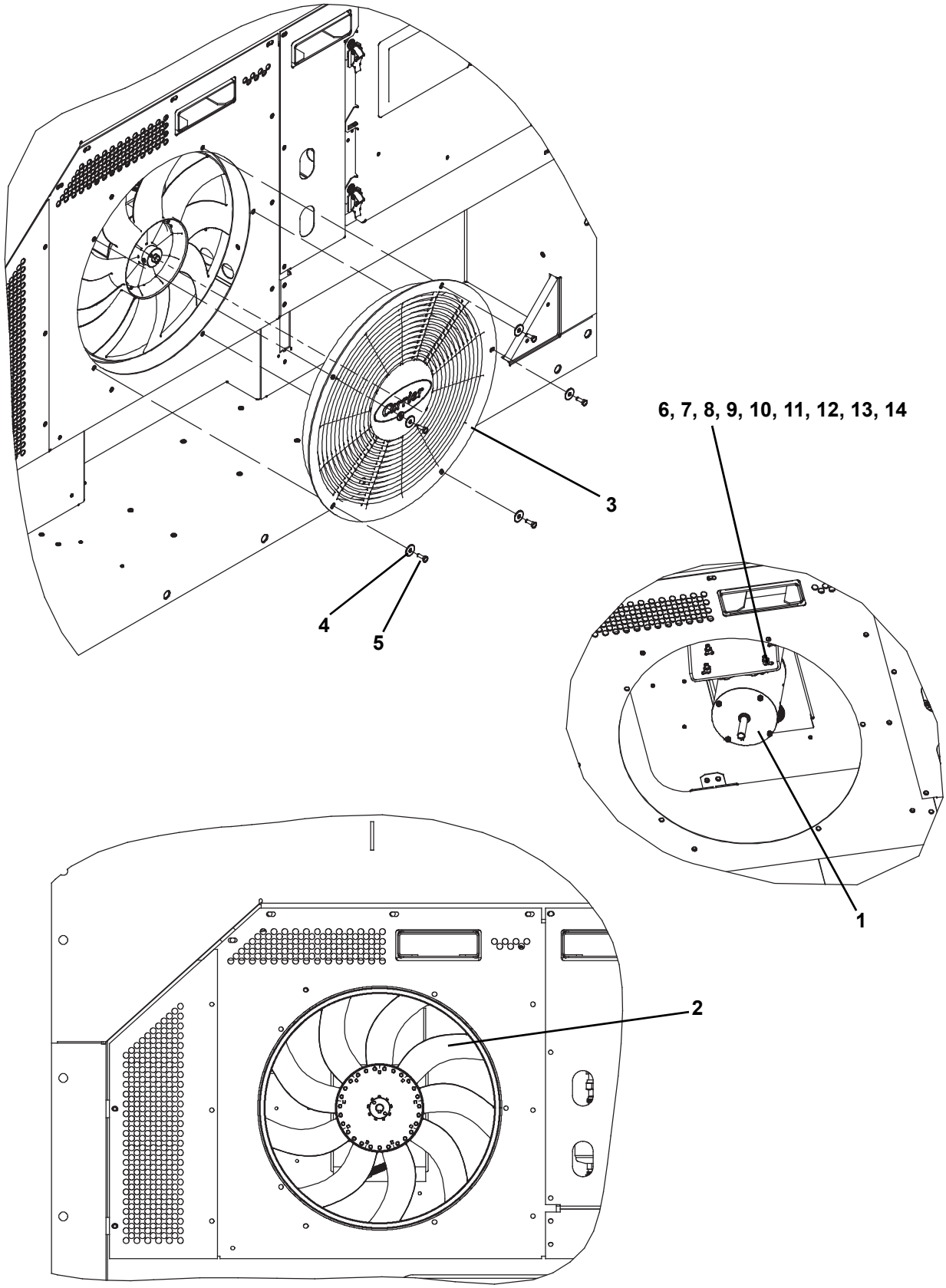
Item	Part Number	Description	Qty
1	81-04203-20	Coil Assembly, Condenser Includes:	
2	81-04203-04	Coil Assembly	1
3	34-06053-00	Washer	4
4	56-09149-00	Coupling	2
5	58-04026-108	Protector	1
6	58-04026-112	Protector	1
7	58-04910-00	Protector	1
8	58-04910-01	Protector	1
9	66U1-5321-3	Washer, Plain	4
10	68-17185-00	Panel	1
11	34-00655-04	Screw, Cap Hex Head	4
12	EC39DM062	Check Valve	1
13	12-00352-00	Transducer	1
14	14-00212-06	Valve, Expansion	1
15	14-00222-02	Valve	1
16	14-00284-20	O-Ring	2
17	14-00341-04	Filter Drier	1
18	34-00373-07	Clamp, Tube	1
19	34-00373-54	Clamp, Tube	1
20	34-00928-09	Rivet, Blind	2
21	34-06053-00	Washer	31
22	34-06053-05	Washer	5
23	40-00520-01	Coupling	1
24	40-66620-03	Tee, Reducing	1
25	42-00032-13	Insulation	2
26	42-00784-00	Gasket	2
27	42-00784-01	Gasket	1
28	42-00784-02	Gasket	1
29	42-00784-03	Gasket	1
30	44-00370-03	Clamp, Cushioned	1
31	56-08954-00	Tube Assembly	1
32	56-08955-00	Tube	1
33	56-09146-00	Tube, Liquid	1
34	58-04026-23	Protector	1
35	58-04026-52	Protector	1
36	58-04910-02	Protector	2

14 CONDENSER KIT (SHEET 4 OF 4)

37	58-04910-03	Protector	1
38	58-04910-04	Protector	2
39	58-04910-05	Protector	2
40	79-04049-00	Receiver Assembly Includes	
41	14-00220-04	Sight Glass	1
42	14-00221-04	Indicator	1
43	65-00206-00	Receiver Assembly	1
44	66U-1-3882	Wire Tie	4
45	66U-1-5321-7	Washer, Plain	30
46	66U-1-5321-8	Washer, Plain	3
47	66U-1-5361-25	Screw, Cap Hex Head	30
48	66U-1-5371-6	Screw, Machine Hex Head	6
49	68-16823-00	Cover	1
50	68-16864-00	Bracket	1
51	68-17196-00	Bracket	1
52	69NT-43-420	Bracket Assembly	1
53	79-04055-03	Cover Assembly, Includes:	
54	68-17290-00	Cover	
55	42-00465-01	Gasket	
56	42-00784-00	Gasket	
57	42-00784-01	Gasket	
58	42-00784-02	Gasket	
59	42-00784-03	Gasket	
60	58-04910-02	Protector	
61	79-04055-03	Cover Assembly, Latched Includes:	
62	68-17290-03	Cover	1
63	42-00465-01	Gasket	1
64	42-00784-00	Gasket	2
65	42-00784-01	Gasket	1
66	42-00784-02	Gasket	1
67	42-00784-03	Gasket	1
68	58-04910-02	Protector	3
69	86-04994-00	Bracket	1
70	99TS0628CK002500	Tube, Straight	1
71	99TS0835CK001200	Tube	1

77-66692

15 CONDENSER FAN KIT (SHEET 1 OF 2)

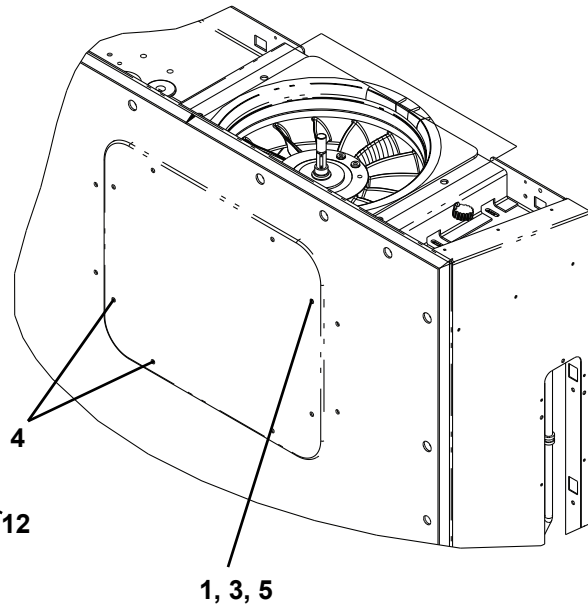
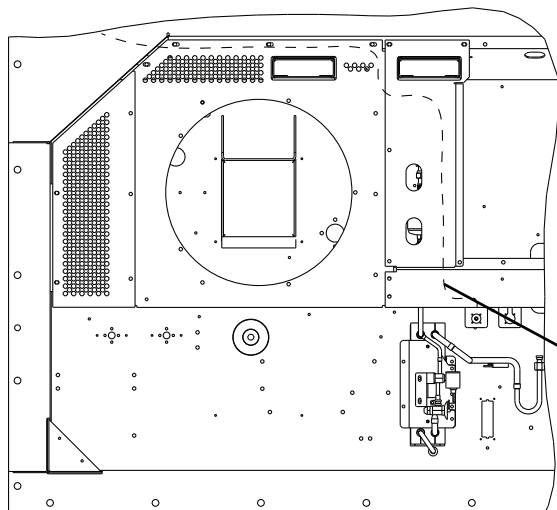
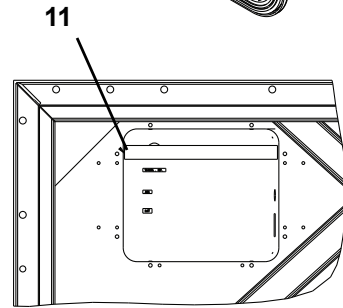
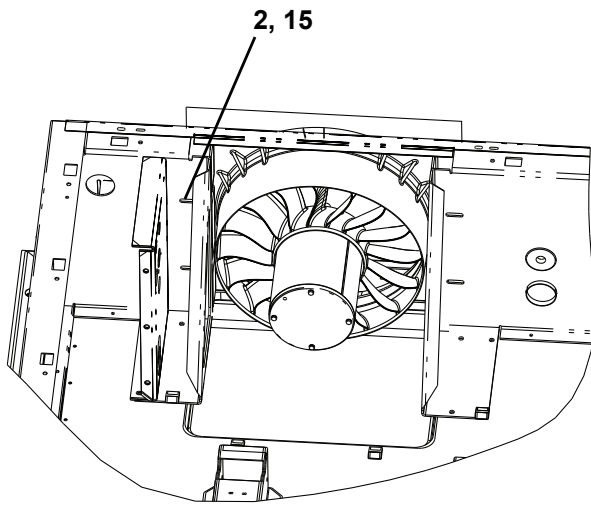
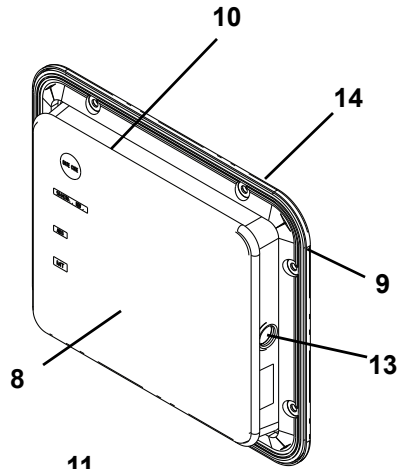
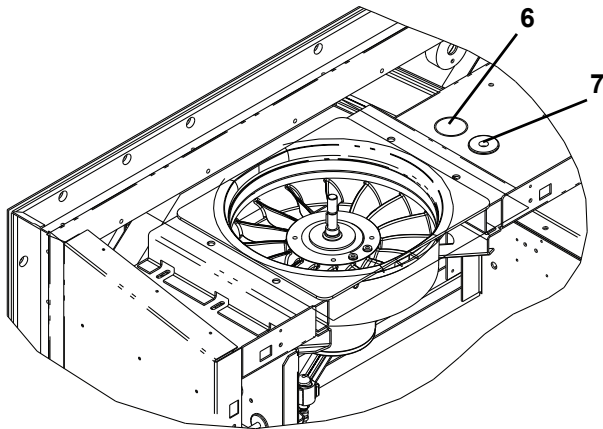


77-01707

15 CONDENSER FAN KIT (SHEET 2 OF 2)

Item	Part Number	Description	Qty
1	54-00655-20	Condenser Fan Motor	1
2	38-00620-01	Condenser Fan Assembly	1
3	58-04980-00SV	Condenser Grill Includes	1
4	69NT35-2692-1	Washer, Fender	5
5	66-U---1--5361-25	Screw, Cap Hex Head	5
6	34-00667-12	Nut, Self Lock	4
7	34-01181-01	Washer, Flat	8
8	34-06053-02	Washer	4
9	58-04026-113	Protector	2
10	66-U---1--5361	Screw, Cap Hex Head	4
11	69NT--35--3452	Shim	1
12	69NT--35--3452-1	Shim	1
13	69NT--35--3452-2	Shim	1
14	69NT--35--3452-3	Shim	1
			77-01707

16 TRANSFRESH KIT (SHEET 1 OF 2)

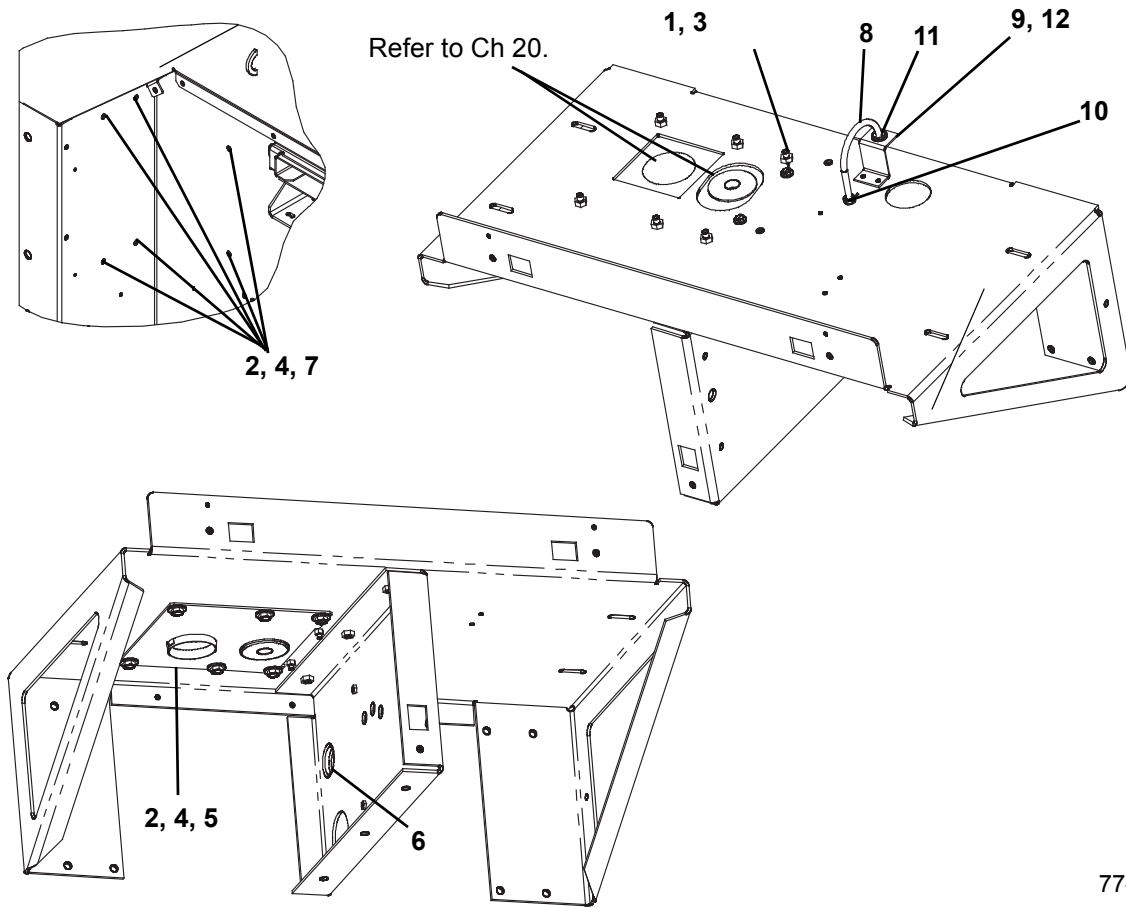


77-01734

16 TRANSFRESH KIT (SHEET 2 OF 2)

Item	Part Number	Description	Qty
1	34-00655-08	Screw, Cap Hex Head	10
2	34-00663-11	Washer, Lock	4
3	34-06053-13	Washer	8
4	34-06154-00	Screw, Cap Hex Head	2
5	34-06212-12	Washer, Plain	8
6	58-00616-00	Plug, Hole	1
7	58-00616-07	Plug, Hole	1
8	79-01697-06SV	Panel, Access includes:	1
9	42-00327-00	Gasket	1
10	42-00296-01	Gasket	1
11	66U-1-2552-185	Gasket	1
12	66U-1-3882	Wire Tie	5
13	66U-1-5562-2	Plug, Button	1
14	68-11989-00	Cover, Top	1
15	69NT-35-2692-1	Washer, Fender	4
			77-01734-01

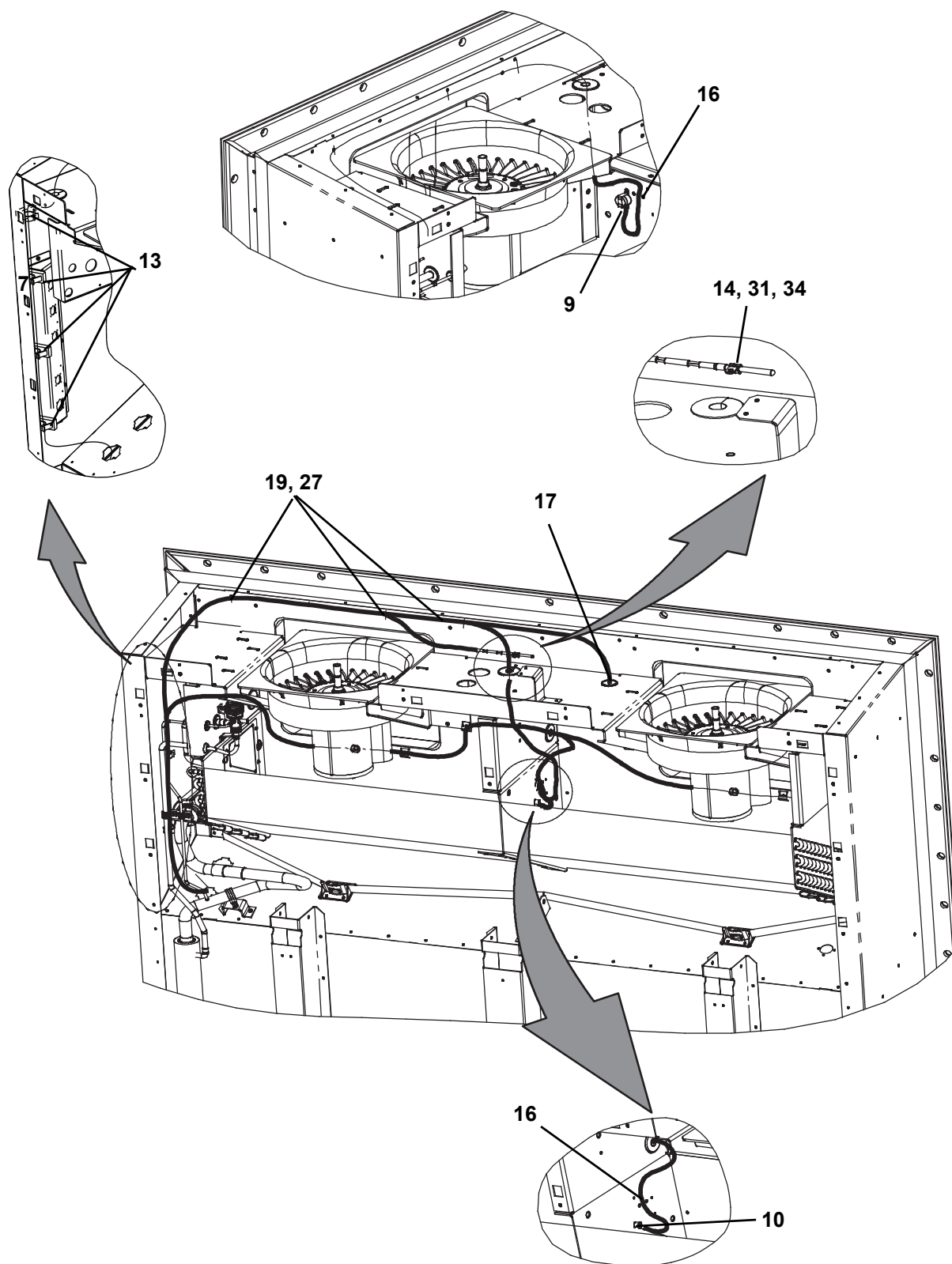
17 EVERFRESH PANEL ASSEMBLY



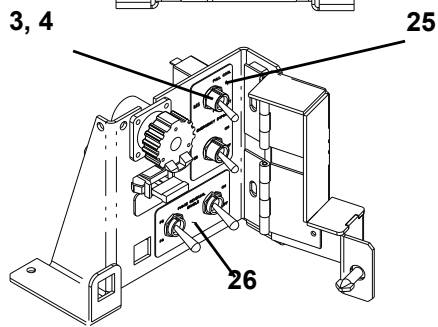
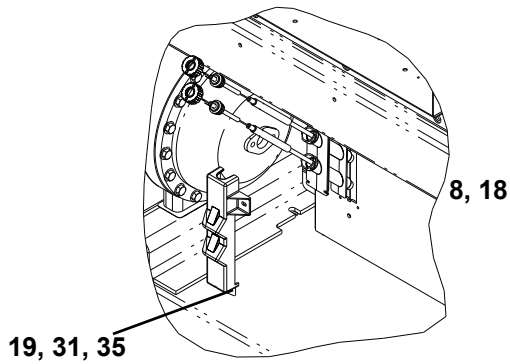
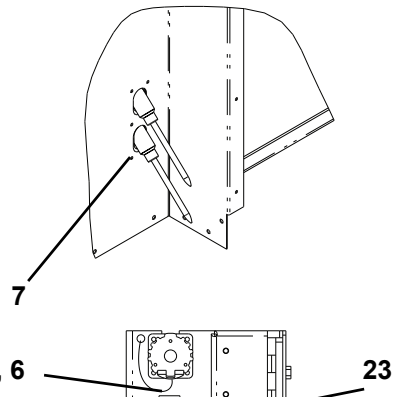
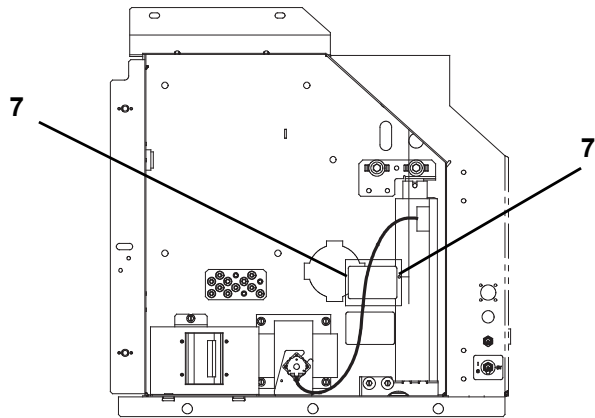
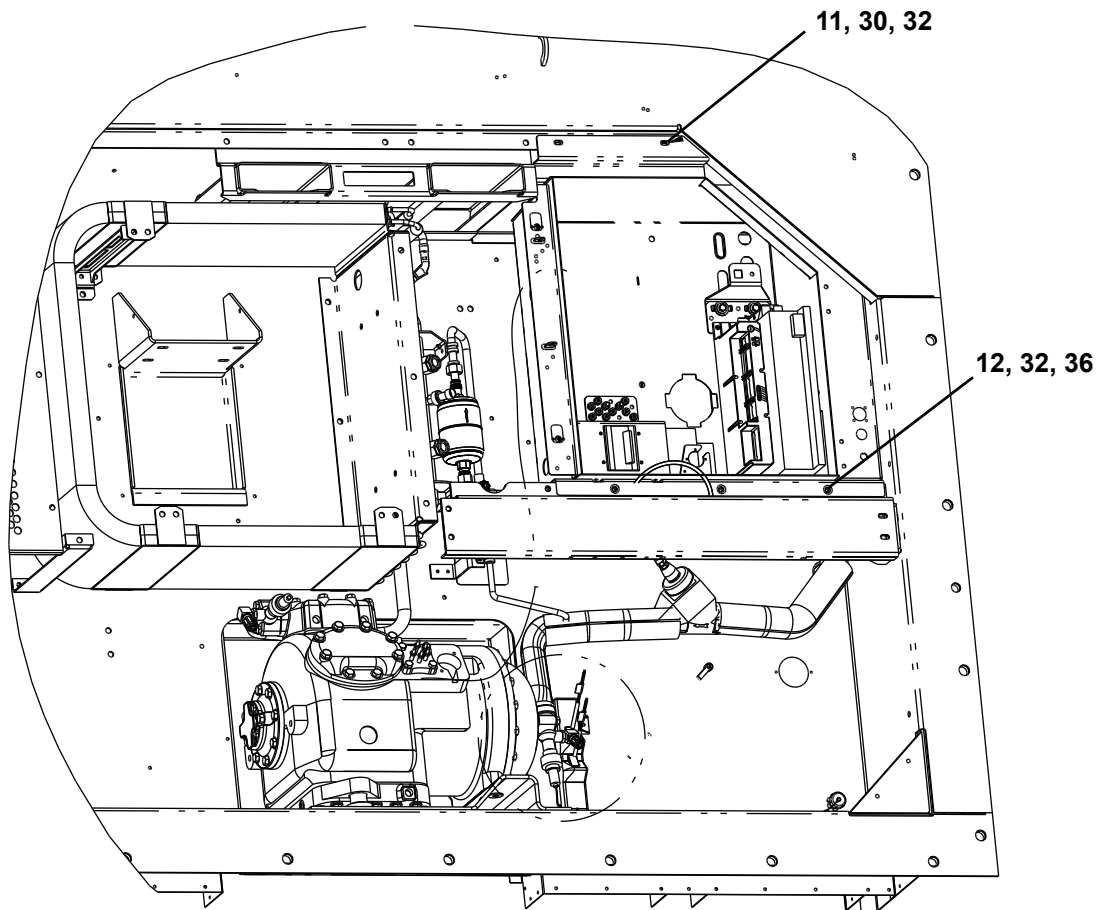
77-01713

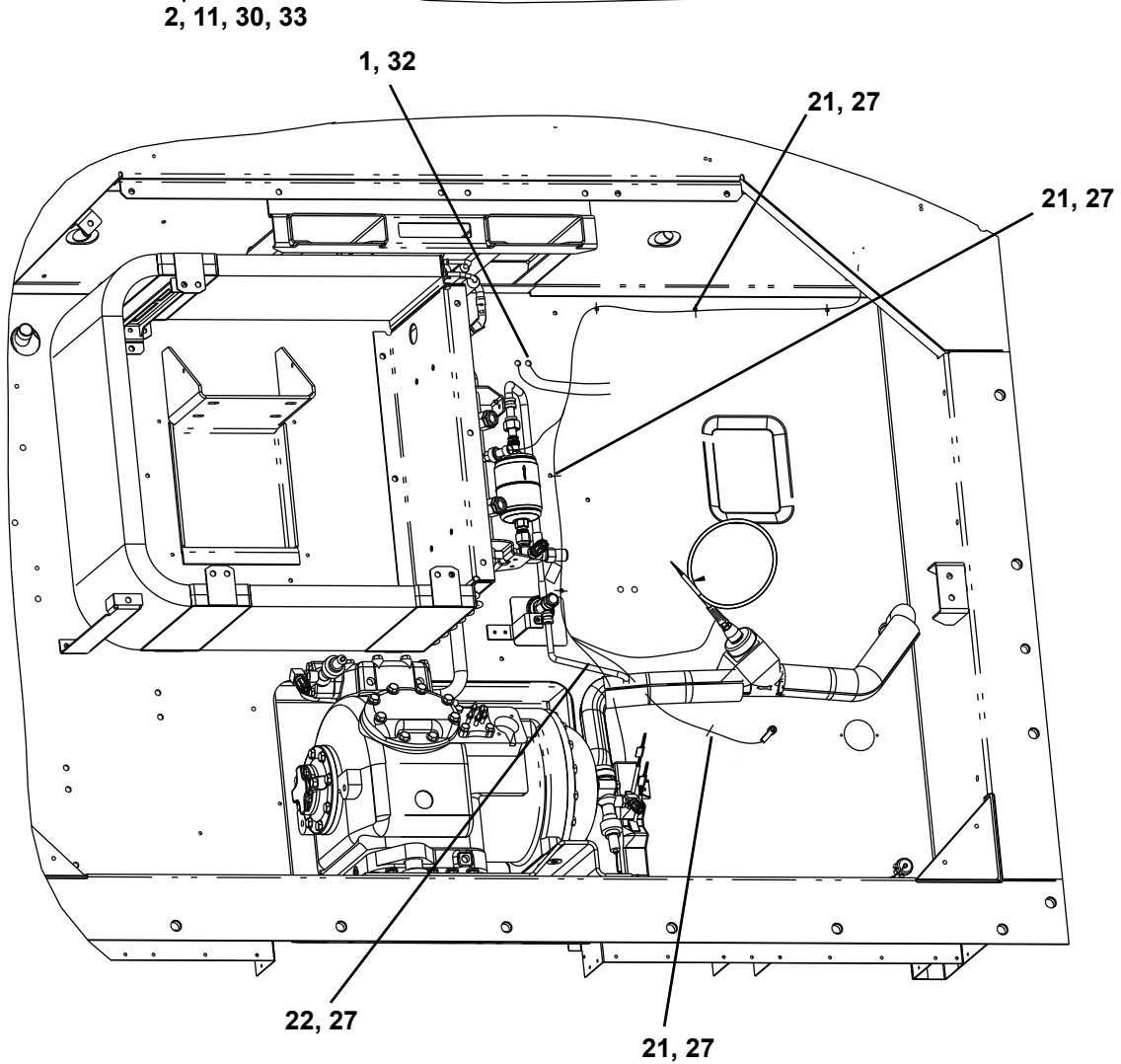
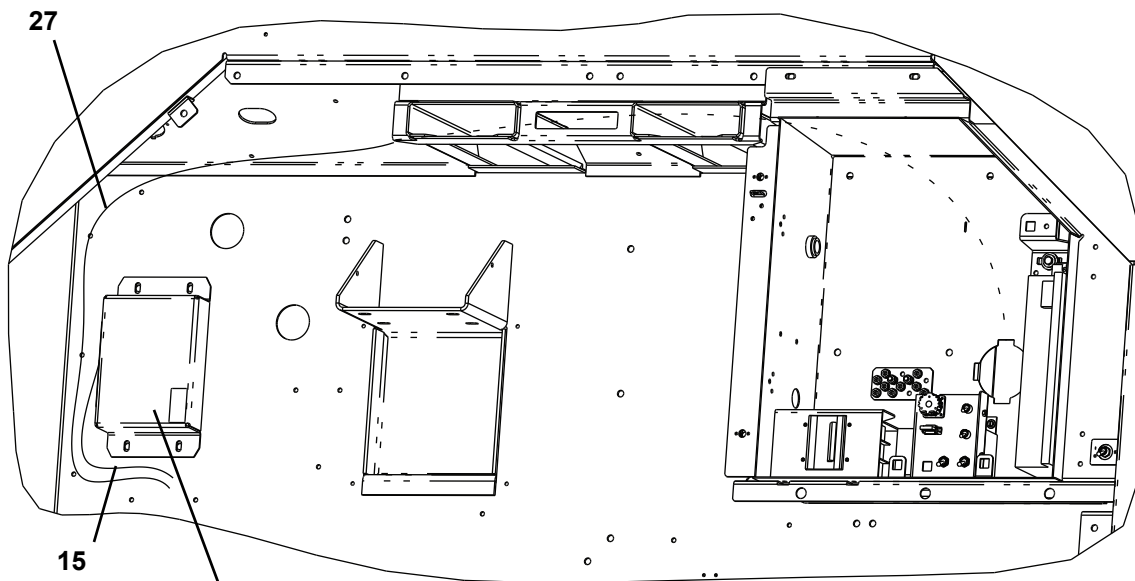
Item	Part Number	Description	Qty
Everfresh Kit, Basic Provision			
1	66U1-5321-8	Washer, Plain #10 Type A	2
2	66U1-5361-25	Screw, Cap Hex Head 1/4- 20 X 0.75	6
3	66U1-5371-6	Screw, Machine Hex Head #10- 24 X 0.750	2
4	66U1-5321-7	Washer, Plain 1/4 W Type A	6
5	68-17420-00	Plate, Cover	1
6	66U1-5562-12	Plug, Button	1
Everfresh Kit, Full Provision (Basic Provision Plus the Following)			
7	34-06053-00	Washer .250 ID X .800 OD	6
8	58-04497-01	Tube 1/4" OD X 6.25"	1
9	68-14739-00	Bracket	1
10	40-00640-00	Union, Bulkhead	1
11	58-00065-84	Grommet	1
12	34-00928-20	Rivet, Blind	2

77-01713-01, 02



18 CONTROLLER KIT (SHEET 2 OF 5)





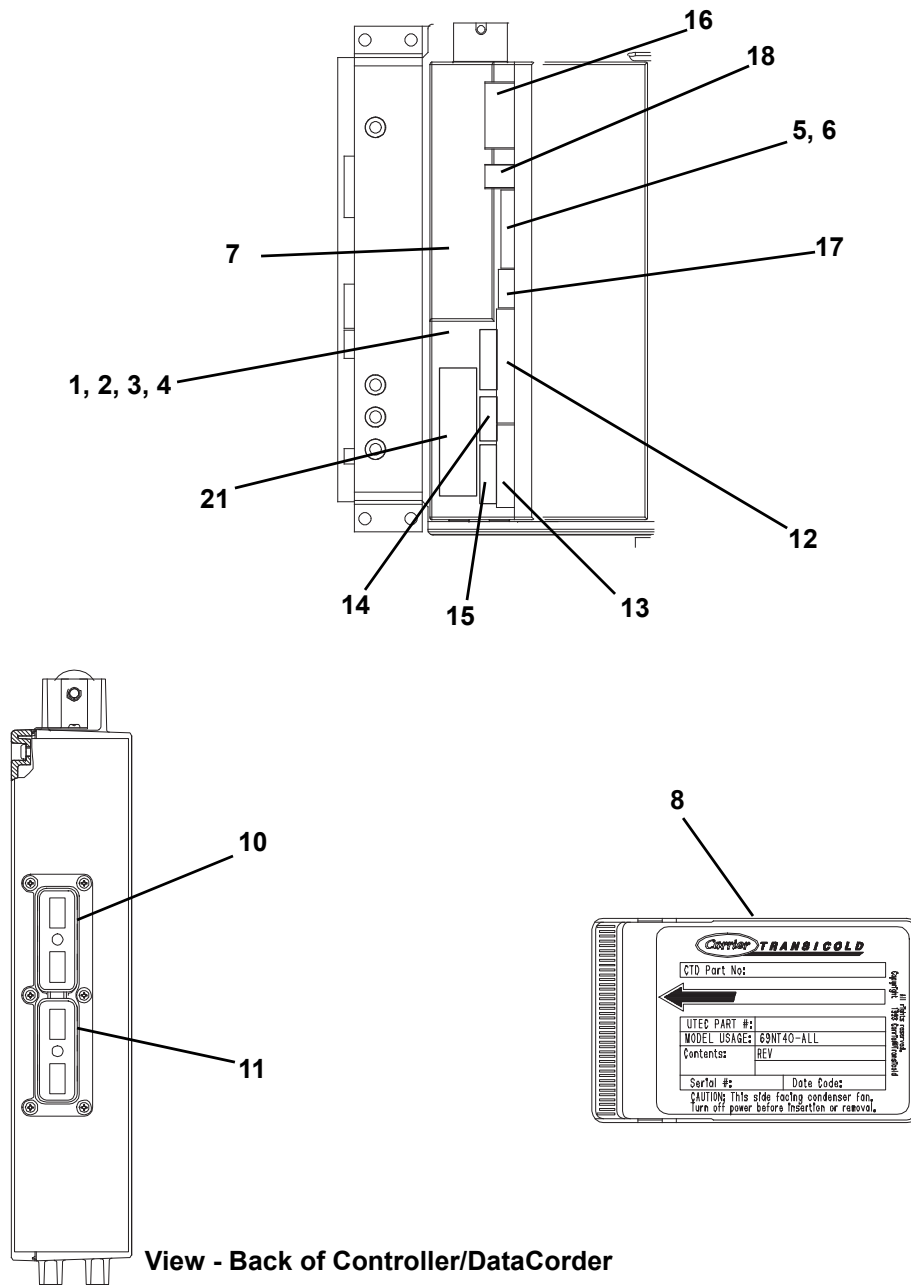
18 CONTROLLER KIT (SHEET 4 OF 5)

Item	Part Number	Description	Qty
1	--AU--27JR-171	Washer, Lock	2
2	10-00446-01	Module	1
3	10-01129-15	Switch, Toggle	1
4	10-01129-20	Nut, Hex	4
5	22-01455-03	Holder Assembly	1
6	22-02336-04	Fuse	1
7	34-00928-04	Rivet, Blind	6
8	34-00928-20	Rivet, Blind	4
9	34-01178-22	Screw, Tc Hex Head	2
10	34-01178-23	Screw, Tc Hex Head	1
11	34-06053-00	Washer	7
12	34-06053-03	Washer	3
13	44-00361-00	Clip, Retaining	4
14	44-01041-04	Clamp, Cushioned	1
15	58-00906-24	Tube, Slit	1
16	58-00969-00	Wire Tie	1
17	58-04273-00	Grommet	2
18	58-04276-00	Holder	1
19	58-04279-00	Cover	1
20	58-04315-00	Base, Mounting	5
21	58-04316-00	Base, Mounting	10
22	58-04321-24	Tube, Slit	1
23	62-10783-03	Label	1
24	62-11270-20	Label, Warning	1
25	62-66096-02	Label	1
26	62-66096-03	Label	1
27	66U-1-3882	Wire Tie	34
28	66U-1-3882-2	Wire Tie	4
29	66U-1-3882-3	Wire Tie	4
30	66U-1-5321-7	Washer, Plain	7
31	66U-1-5321-8	Washer, Plain	2
32	66U-1-5361-25	Screw, Cap Hex Head	8
33	66-U---1--5371-14	Screw, Mach Hex Head	4
34	66U-1-5371-6	Screw, Mach Hex Head	2

18 CONTROLLER KIT (SHEET 5 OF 5)

35	66U-1-5371-7	Screw, Mach Hex Head	2
36	69NT-35-2692-1	Washer, Fender	3
			77-01675-01

19 CONTROLLER MODULE SECTION AND SOFTWARE CARDS (SHEET 1 OF 2)

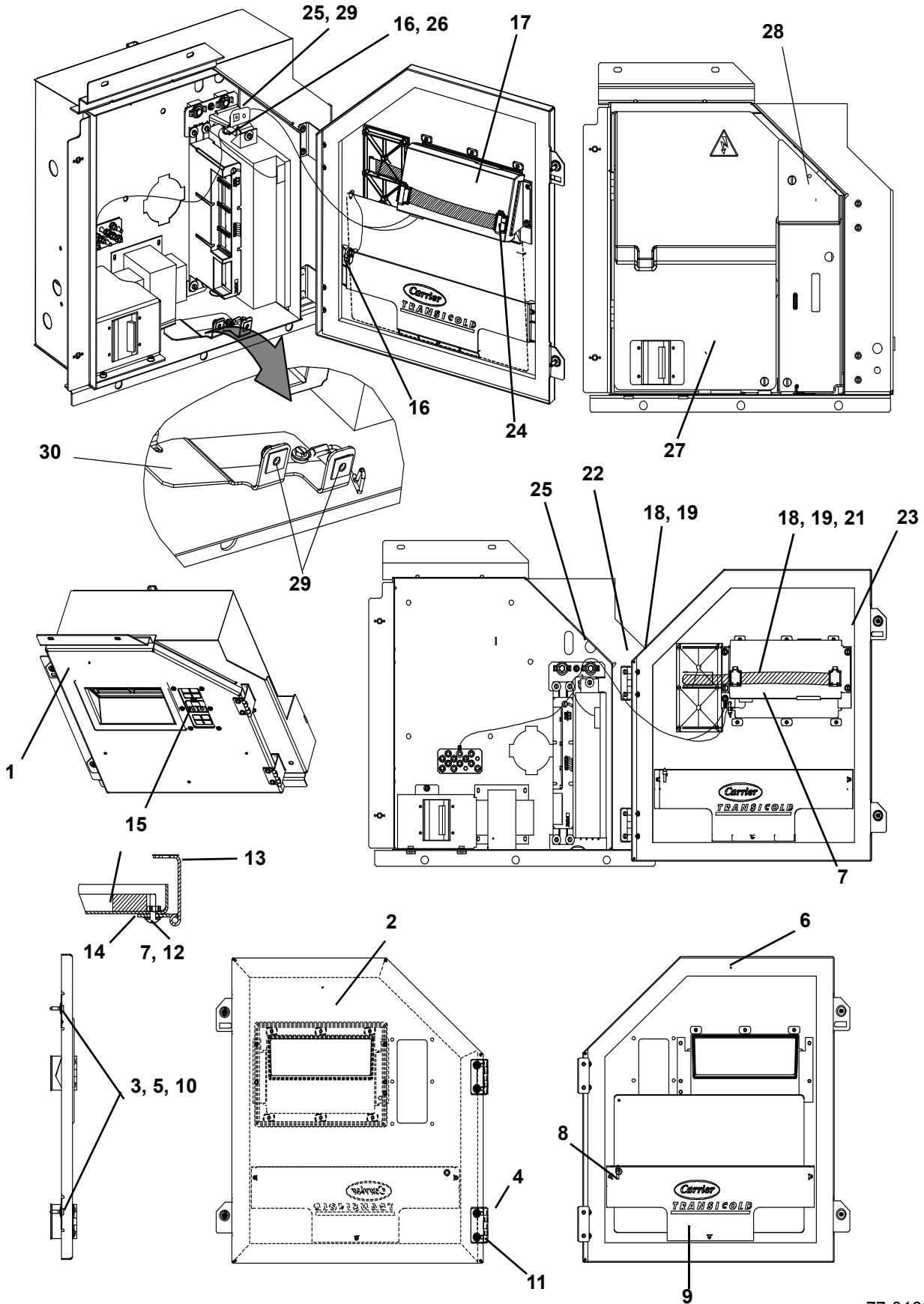


Item	Part Number	Description	Qty
1	12-55008	Controller/DataCORDER Module - Includes:	1
2	66U1-5371-7	Screw, Hex Head, #10- 24 X 1/2 Inches Long, SST	1
3	69NT35-2692	Washer, Fender, 0.063 Thick, SST	1
4	58-01184-00	Retainer, Screw, 0.141 ID	1
5	22-02336-08	Fuse, 7.5 Amp (F3A and F3B)	3
6	22-02336-02	Fuse, 5 Amp (F1 and F2)	1
7	62-02719-00	Label, Controller/DataCORDER Port	1
8	12-00594	Controller Operation Software Card (Latest version will be supplied)	1

19 CONTROLLER MODULE SECTION AND SOFTWARE CARDS (SHEET 2 OF 2)

9	12-00615	DataCORDER Operation Software Card (Latest version will be supplied)	1
10	Connector (EC A- K) (Refer to Section 2.36)		
11	Connector (EC L- Y) (Refer to Section 2.36)		
12	Connector (KA) - 14- Pin (Refer to Section 2.35)		
13	Connector (KB) - 10- Pin (Refer to Section 2.35)		
14	Connector (KD) - 4- Pin (Refer to Section 2.35)		
15	Connector (KE) - 5- Pin (Refer to Section 2.36)		
16	Connector (MA) - 12- Pin (Refer to Section 2.35)		
17	Connector (KH) - 6- Pin (Refer to Section 2.36)		
18	Connector (MC) - 8- Pin		
NS	09-00375-00	Battery, Real Time Clock, (Within the Controller)	1
19	10-01129-11	Switch, toggle ST	2
20	10-01129-05	Switch, Toggle CFS	1
21	10-01129-12	Switch, (Start/Stop) Toggle ON/OFF	1
RECHARGEABLE BATTERY OPTION			
22	30-00407-02SV	Rechargeable Battery Pack with Connector- Controller/DataCORDER Module	A/R
SECURE RECHARGEABLE BATTERY OPTION			
NOTE	76-50149-00	Rechargeable Battery Pack with Connector- Controller/DataCORDER Module	A/R
NOTE Refer to technical manual for battery location.			

20 CONTROLLER DOOR KIT, SCREW (SHEET 1 OF 3)



77-01664

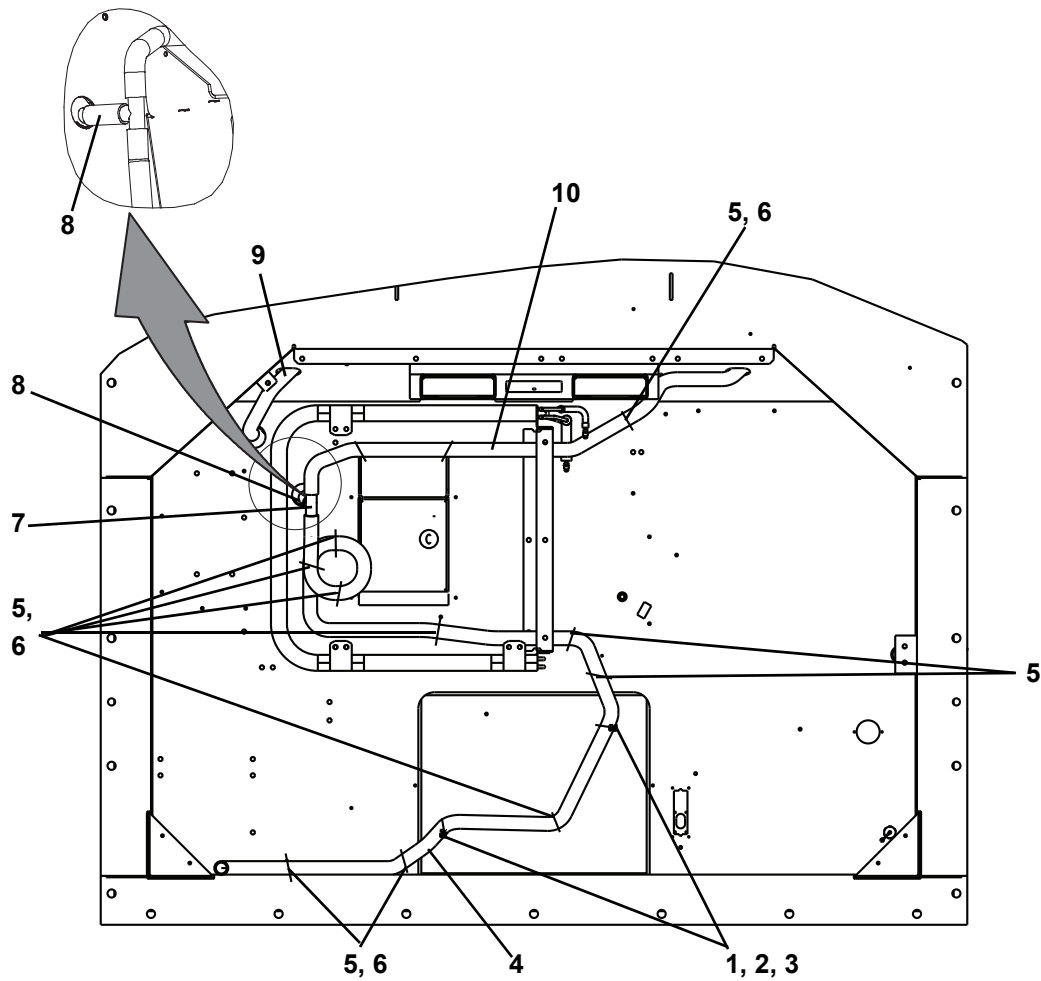
20 CONTROLLER DOOR KIT, SCREW (SHEET 2 OF 3)

Item	Part Number	Description	Qty
1	79-04018-08	Control Box Door Assembly, Slotted Screw White with Fixed Pin Includes:	1
2	86-04987-02	Door, Control Box	1
3	66U1-6811-8	Screw, Retaining	2
4	44-00477-00	Hinge Staked Pin 2	2
5	34-06169-00	Washer, Retaining 0.185 ID X 0.62 OD	2
6	42-00741-00	Gasket Control Box Door	1
7	66U1-2403-1	Screw, Machine Trhd #10-24 X .750 Sltd	4
8	34-06107-00	Rivet, Blind .125 Diameter .188-.250	3
9	58-04954-00	Pocket, Placard	1
10	34-06053-00	Washer 0.250 ID X 0.800 OD	4
11	58-04101-02	Protector	2
12	34-06053-05	Washer .205 ID X0 .600 OD	4
13	58-04366-00	Window Controller Door	1
14	58-04101-00	Protector	2
15	79-66669-00	Key Pad Assembly Includes:	1
	NSS	Key Pad 69Nt Core Micro	1
	NSS	Plate, Backup	1
	NSS	Gasket Keypad	1
	NSS	Washer, Plain #10 Type A	6
	NSS	Screw, Pan Head #10- 9 X.75	6
	NSS	Indicator Dot	1
16	66U1-3882	Wire Tie	3
17	12-00433-03RP	Display Module, 69Ne/Nt	1
18	66U1-5371-7	Screw, Machine Hex Head #10- 24 X 0.500 Sltd	9
19	66U1-5321-8	Washer, Plain #10 Type A	9
20	66U1-5371-6	Screw, Machine Hex Head #10- 24 X 0.750	2
21	AU27JR131	Washer, Lock #10 Ext Tooth	1
22	22-01713-49	Harness	1
23	58-04960-00	Rain Shield	1
24	44-00391-00	Clamp	2
25	68-16735-00	Bracket	1
26	58-04316-00	Base, Mounting	1
27	79-04046-00	Shield, Hi-Volt Std	1

20 CONTROLLER DOOR KIT, SCREW (SHEET 3 OF 3)

28	79-04047-00	Shield, Low Voltage	1
29	34-06139-04	Receptacle, ¼ inch retaining	3
30	68-17298-00	Bracket	1
			77-01664-00

21 DRAIN

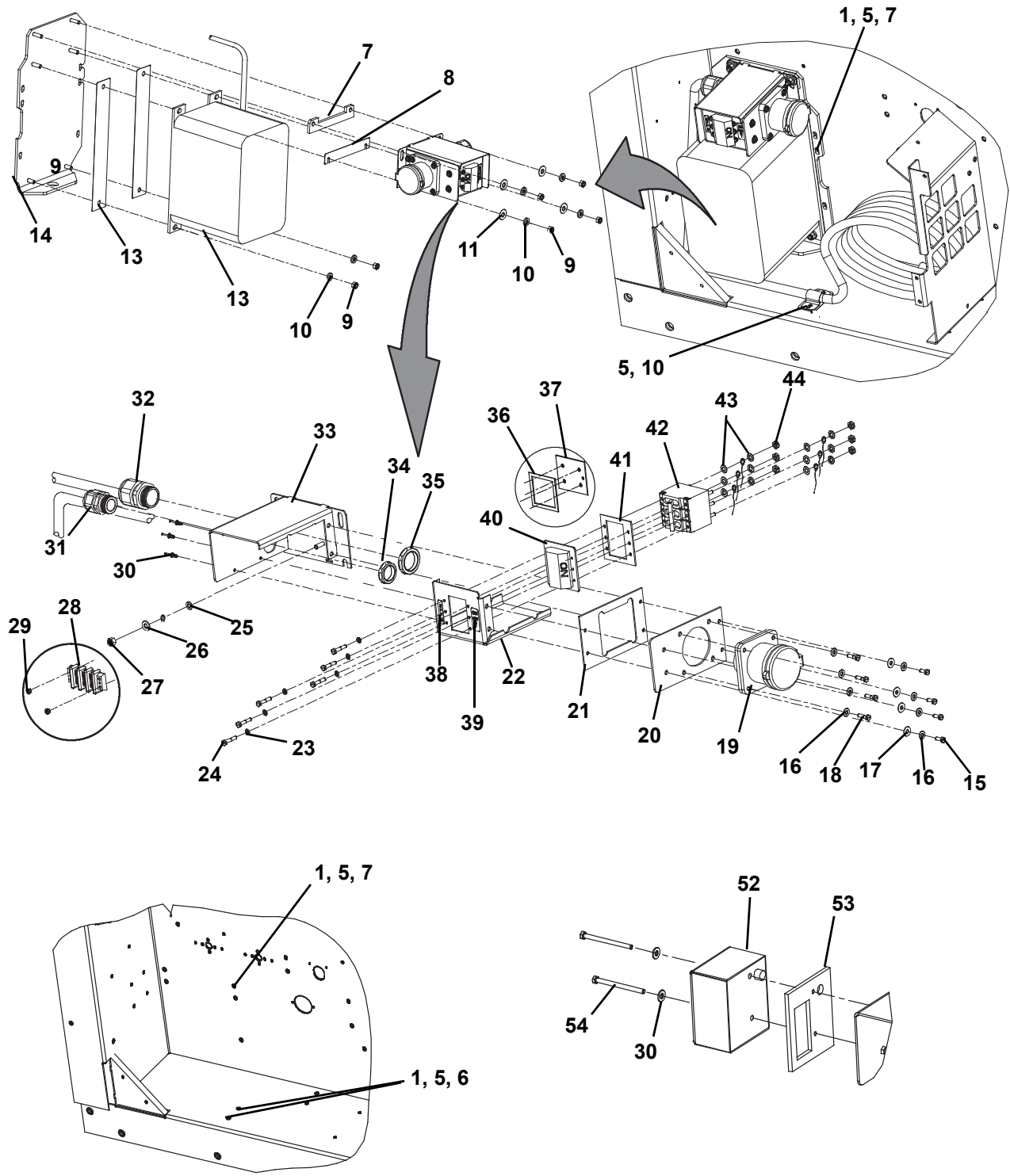


77-01700

Item	Part Number	Description	Qty
1	34-00663-09	Washer, Lock	2
2	66U-1-5371-7	Screw, Machine Hex Head	2
3	58-04246-00	Ty-Rap Base	2
4	58-04539-14	Tube, Flexible	1
5	66U-1-3882	Wire Tie	14
6	58-04316-00	Base, Mounting	8
7	58-04202-02	Tee	1
8	58-04539-10	Tube, Flexible	1
9	58-04539-11	Tube, Flexible	1
10	58-04539-12	Tube, Flexible	1

77-01700

22 AUTOTRANSFORMER (SHEET 1 OF 5)



77-01699-05

22 AUTOTRANSFORMER (SHEET 2 OF 5)**Standard Parts Included in Options**

Item	Part Number	Description	Qty
1	66U1-5321-7	Washer, Plain, 1/4 W Type A	7
2	34-06053-00	Washer, Mylar, 0.250 ID X 0.800 OD	5
3	AA06JA170	Screw, Hex Head, 1/4- 20 X 1.00	7
4	58-04026-07	Protector, Mylar	1
5	68-14456-02	Cable Cutter	1
6	66U1-5361-25	Screw, Cap Hex Head 1/4- 20 X 0.75	2

Autotransformer without CB2

See Previous Section for Standard Parts and use with Item below.

-	76-00667-07	Transformer Kit, Field Installation, Without CB2 - Includes:	1
7	58-04026-25	Protector, 1.00 X 6.62, With Two Slots	1
8	69NT35-2086	Spacer, 0.25 Thick Aluminum	1
9	34-00667-12	Nut, Self- Locking, 5/16- 18	6
10	34-01181-01	Washer, Flat 0.320/0.330 ID	6
11	34-06053-02	Washer, 0.375 ID X 1.000 OD	4
12	69NT40-914-4	Transformer Assembly	1
13	58-04026-17	Protector, 2.00 X 13.0 With Two Holes	2
14	69NT43-374	Bracket Assembly DV Transformer Module	1
15	66U1-5371-7	Screw, Machine, Hex Head, #10- 24 X 0.500 Slotted	4
16	66U1-5321-8	Washer, Plain #10 Type A	8
17	34-06053-05	Washer 0.205 ID X 0.600 OD	4
18	66U1-5371-6	Screw, Machine, Hex Head, #10- 24 X 0.750 Slotted	4
19	22-01679-00	Receptacle 32 Amp/Bryant	1
20	69NT41-892	Cover Assembly Transformer Module, Receptacle	1
21	42-00328-00	Gasket, 0.094 Thick X 3.60 X 5.74	1
22	69NT43-282	Box Assembly Transformer Module, CB2	1
23	34-06053-10	Washer 0.138 ID X 0.343 OD	4
24	66U2-1531-3	Screw, Machine, Round Head #6- 32 X 0.375 Inches Long SS	4
25	AU27JR171	Washer, Lock, 1/4 Ext Tooth	1
26	66U1-5321-3	Washer, Plain, 1/4 N Type A	1
27	34-00667-11	Nut, Self- Locking, 1/4- 20	1
28	22-01778-00	Terminal, Block Three Terminal	1
29	34-00795-09	Nut, Self- Locking, 10- 32	2
30	34-00928-02	Rivet, Blind, 0.125 Inch Diameter 0.126- 0.187	3

22 AUTOTRANSFORMER (SHEET 3 OF 5)

31	22-02319-05	Connector, Straight, 3/4 Hub	1
32	22-02319-06	Connector, Straight, 0.590/1.00 Inch Diameter	1
33	69NT43-270-1	Box Assembly, Weld DV Transformer Module	1
34	34-06136-01	Nut, Lock, 3/4 NPT	1
35	34-06136-02	Nut, Lock, 1.00 NPT	1
36	42-00366-00	Gasket, 0.094 Thick, 3.20 X 3.200	1
37	68-13832-00	Plate Assembly, 0.090 Thick Aluminum	1

Autotransformer with CB2

-	76-00667-07	Transformer Kit, Field Installation, Without CB2 - Includes:	1
77	58-04026-25	Protector, 1.00 X 6.62, With Two Slots	1
8	69NT35-2086	Spacer, 0.25 Thick Aluminum	1
9	34-00667-12	Nut, Self- Locking, 5/16- 18	6
10	34-01181-01	Washer, Flat 0.320/0.330 ID	6
11	34-06053-02	Washer, 0.375 ID X 1.000 OD	4
12	69NT40-914-4	Transformer Assembly	1
13	58-04026-17	Protector, 2.00 X 13.0 With Two Holes	2
14	69NT43-374	Bracket Assembly DV Transformer Module	1
15	66U1-5371-7	Screw, Machine, Hex Head, #10- 24 X 0.500 Slotted	4
16	66U1-5321-8	Washer, Plain #10 Type A	8
17	34-06053-05	Washer 0.205 ID X 0.600 OD	4
18	66U1-5371-6	Screw, Machine, Hex Head, #10- 24 X 0.750 Slotted	4
19	22-01679-00	Receptacle 32 Amp/Bryant	1
20	69NT41-892	Cover Assembly Transformer Module, Receptacle	1
21	42-00328-00	Gasket, 0.094 Thick X 3.60 X 5.74	1
22	69NT43-282	Box Assembly Transformer Module, CB2	1
23	34-06053-10	Washer 0.138 ID X 0.343 OD	4
24	66U2-1531-3	Screw, Machine, Round Head #6- 32 X 0.375 Inches Long SS	4
25	AU27JR171	Washer, Lock, 1/4 Ext Tooth	1
26	66U1-5321-3	Washer, Plain, 1/4 N Type A	1
27	34-00667-11	Nut, Self- Locking, 1/4- 20	1
30	34-00928-02	Rivet, Blind, 0.125 Inch Diameter 0.126- 0.187	3
31	22-02319-05	Connector, Straight, 3/4 Hub	1
32	22-02319-06	Connector, Straight, 0.590/1.00 Inch Diameter	1
33	69NT43-270-1	Box Assembly, Weld DV Transformer Module	1
34	34-06136-01	Nut, Lock, 3/4 NPT	1

22 AUTOTRANSFORMER (SHEET 4 OF 5)

35	34-06136-02	Nut, Lock, 1.00 NPT	1
38	69NT35-1076	Label, On/Off (0.35 X 1.55)	1
39	69NT35-1076-1	Label, CB2, 230V On/Off	1
40	66U2-1531-1	Boot, 2.66 X 2.97, Black	1
41	68-13961-00	Boot, Frame, 0.090 Thick Aluminum	1
42	10-00083-06	Circuit Breaker, 70A- 250 VAC- 50/60Hz	1
43	10-00083-07	Nut, Hex, 1/4- 20	6
44	10-00083-08	Washer, Flat, 1/4 (Circuit Breaker)	12

Autotransformer with DVM, TBU, & CB2

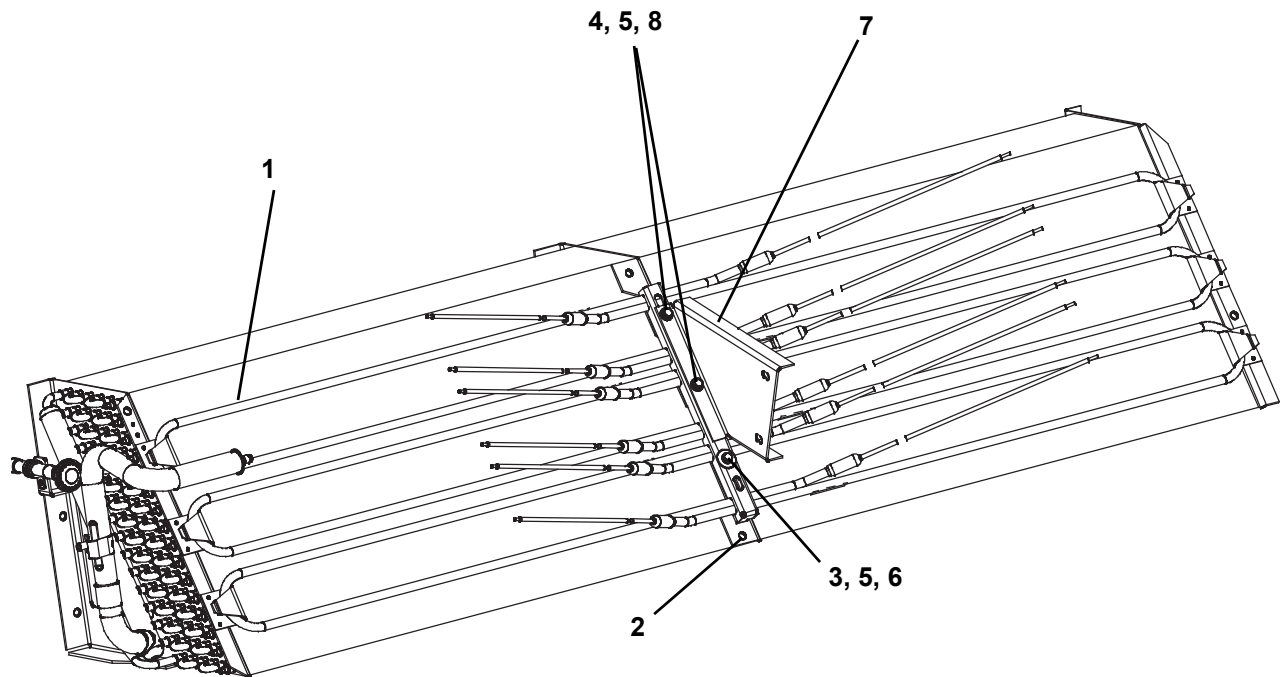
-	76-00667-07	Transformer Kit, Field Installation, Without CB2 - Includes:	1
77	58-04026-25	Protector, 1.00 X 6.62, With Two Slots	1
8	69NT35-2086	Spacer, 0.25 Thick Aluminum	1
9	34-00667-12	Nut, Self- Locking, 5/16- 18	6
10	34-01181-01	Washer, Flat 0.320/0.330 ID	6
11	34-06053-02	Washer, 0.375 ID X 1.000 OD	4
12	69NT40-914-4	Transformer Assembly	1
13	58-04026-17	Protector, 2.00 X 13.0 With Two Holes	2
14	69NT43-374	Bracket Assembly DV Transformer Module	1
15	66U1-5371-7	Screw, Machine, Hex Head, #10- 24 X 0.500 Slotted	4
16	66U1-5321-8	Washer, Plain #10 Type A	8
17	34-06053-05	Washer 0.205 ID X 0.600 OD	4
18	66U1-5371-6	Screw, Machine, Hex Head, #10- 24 X 0.750 Slotted	4
19	22-01679-00	Receptacle 32 Amp/Bryant	1
20	69NT41-892	Cover Assembly Transformer Module, Receptacle	1
21	42-00328-00	Gasket, 0.094 Thick X 3.60 X 5.74	1
22	69NT43-282	Box Assembly Transformer Module, CB2	1
23	34-06053-10	Washer 0.138 ID X 0.343 OD	4
24	66U2-1531-3	Screw, Machine, Round Head #6- 32 X 0.375 Inches Long SS	4
25	AU27JR171	Washer, Lock, 1/4 Ext Tooth	1
26	66U1-5321-3	Washer, Plain, 1/4 N Type A	1
27	34-00667-11	Nut, Self- Locking, 1/4- 20	1
31	22-02319-05	Connector, Straight, 3/4 Hub	1
32	22-02319-06	Connector, Straight, 0.590/1.00 Inch Diameter	1
33	69NT43-270-1	Box Assembly, Weld DV Transformer Module	1
34	34-06136-01	Nut, Lock, 3/4 NPT	1

22 AUTOTRANSFORMER (SHEET 5 OF 5)

35	34-06136-02	Nut, Lock, 1.00 NPT	1
45	69NT35-1076	Label, On/Off (0.35 X 1.55)	1
46	69NT35-1076-1	Label, CB2, 230V On/Off	1
47	66U2-1531-1	Boot, 2.66 X 2.97, Black	1
48	68-13961-00	Boot, Frame, 0.090 Thick Aluminum	1
49	10-00083-06	Circuit Breaker, 70A- 250 VAC- 50/60Hz	1
50	10-00083-07	Nut, Hex, 1/4- 20	6
51	10-00083-08	Washer, Flat, 1/4 (Circuit Breaker)	12
52	12-00474-01	Box Assembly Transformer	1
53	42-00471-01	Gasket	1
54	34-06221-00	Screw, Hex Head 10- 24 X 2.50	2

77-01699-05

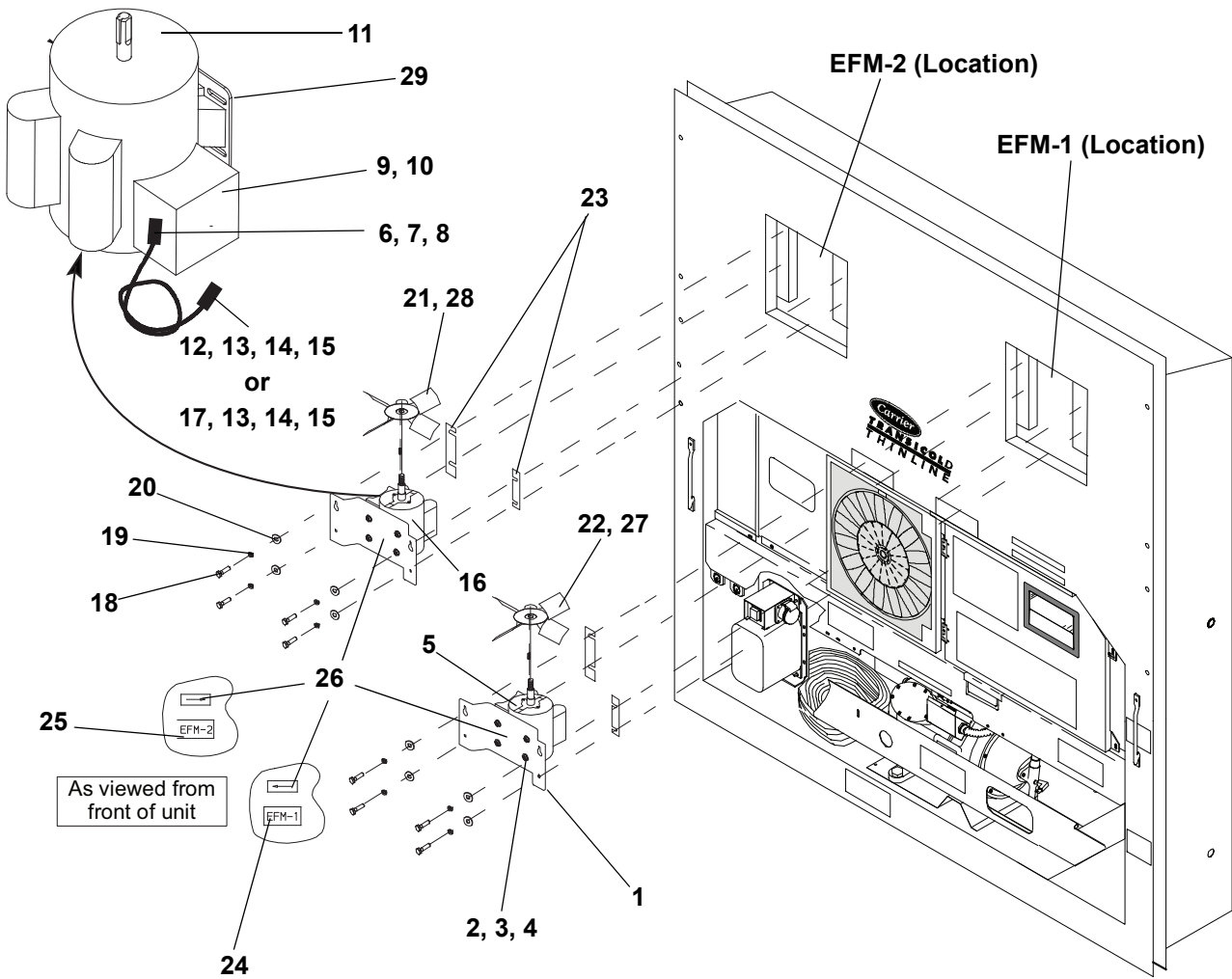
23 HEATER KIT



Item	Part Number	Description	Qty
1	24-66603-00	Defrost Heater	6
2	86-04956-00	Retainer Assembly	1
3	69NT35-2692-1	Washer, Fender 1/4- .993- 1.015 OD	1
4	34-00655-12	Screw, Cap Hex Head 1/4- 20 X 1.50	2
5	34-00663-11	Washer, Lock 1/4 Spring	3
6	34-00655-10	Screw, Cap Hex Head 1/4- 20 X 1.25	1
7	68-16894-00	Bracket	1
8	66U1-5321-3	Washer, Plain 1/4 N Type A	2

77-01675-01

24 EVAPORATOR FAN AND MOTOR KIT (SHEET 1 OF 2)

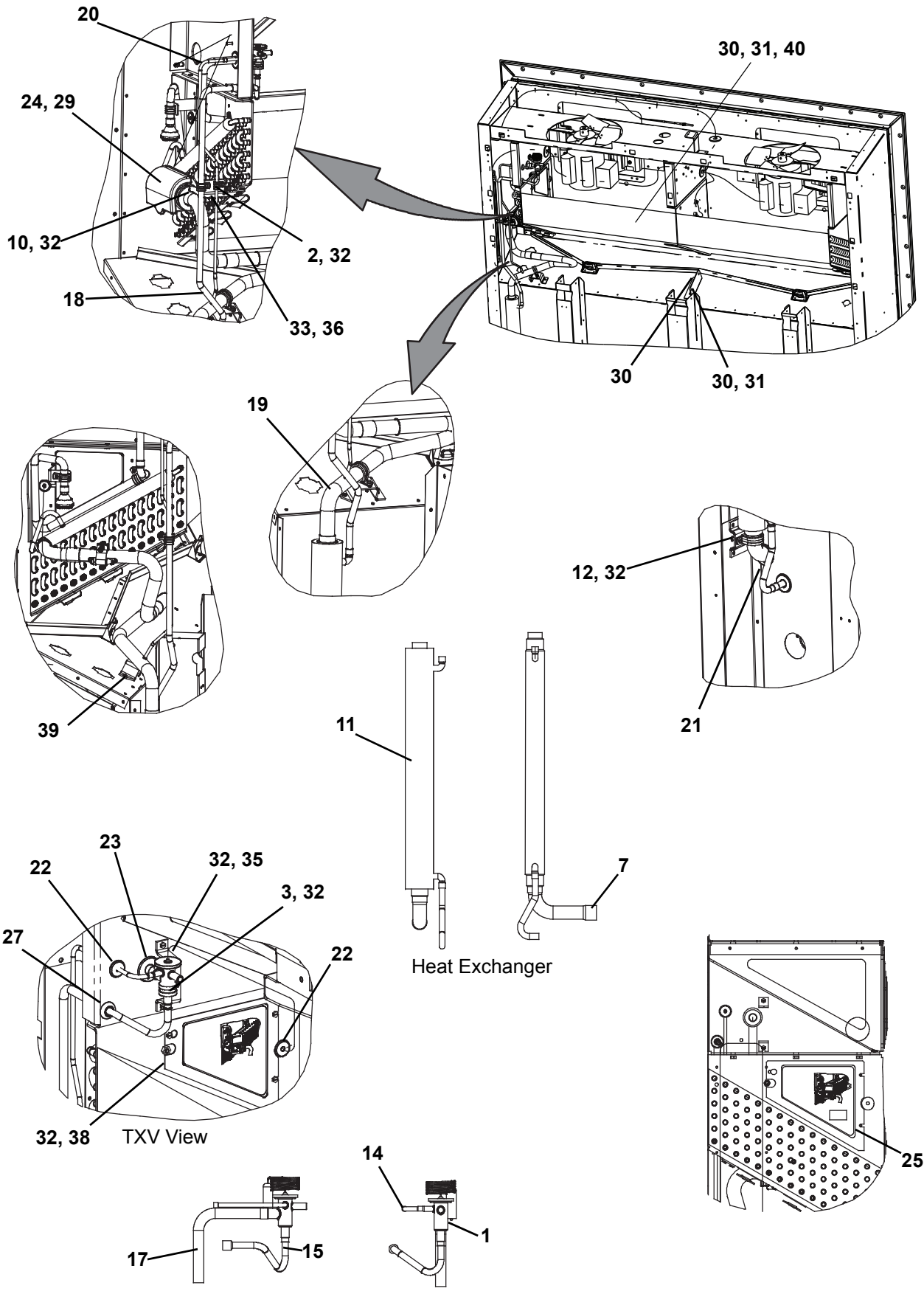


Item	Part Number	Description	Qty
1	69NT35-1173	Bracket, Motor Mount	2
2	34-00792-10	Screw, Cap Hex Head 5/16--18 X 1.25	8
3	34-01181-01	Washer, Flat, 5/16	16
4	34-00667-12	Nut, Self Lock, 5/16-18	8
5	79--66646--02	Motor Assembly Upflow Efm--1 Includes:	1
6	66NS0801CD0020	Sleeve	1
7	69ND35--1781	Connector Straight	1
8	69ND35--9362--4	Nut, Lock	1
9	66U1----5271	Cap, Splice	6
10	66U1----5281	Cap, Insulator	6
11	54--00513--02	Motor, Evaporator Two Speed	1

24 EVAPORATOR FAN AND MOTOR KIT (SHEET 2 OF 2)

12	22--01713--27	Harness, EFM--2 Includes:	1
13	22--01997--11	Connector Female	1
14	22--01997--08	Plug	2
15	22--01997--13	Seal	1
16	79--66646--03	Motor Assembly Upflow Efm--2 Includes:	1
6	66NS0801CD0020	Sleeve	1
7	69ND35--1781	Connector Straight	1
8	69ND35--9362--4	Nut, Lock	1
9	66U1----5271	Cap, Splice	6
10	66U1----5281	Cap, Insulator	6
11	54--00513--20	Motor, Evaporator Two Speed	1
17	22--01713--28	Harness, EFM--2 Includes:	1
13	22--01997--11	Connector Female	1
14	22--01997--08	Plug	2
15	22--01997--13	Seal	1
18	66U1-5361-7	Bolt, Hex Head, 3/8-16 x 1.00 lg	8
19	AU11JR241	Washer, Lock 3/8 Spring	8
20	66U1-5321-5	Washer, Plain 3/8 N Type A	8
21	66CH1--1082--21	Fan, CW, EF--1	1
22	66CH1--1082--20	Fan, CCW, EF--2	1
23	69NT35-1662-1	Shim, (If Required)	2
24	69NU35--4292	Label EFM--1	1
25	69NU35--4292--1	Label EFM--2	1
26	39AC--7--1481	Arrow, Direction	2
27	66CH1--1002--83	Label EF1	1
28	66CH1--1002--84	Label EF2	1
29	58--04026--68	Protector	4

25 EVAPORATOR KIT (SHEET 1 OF 3)



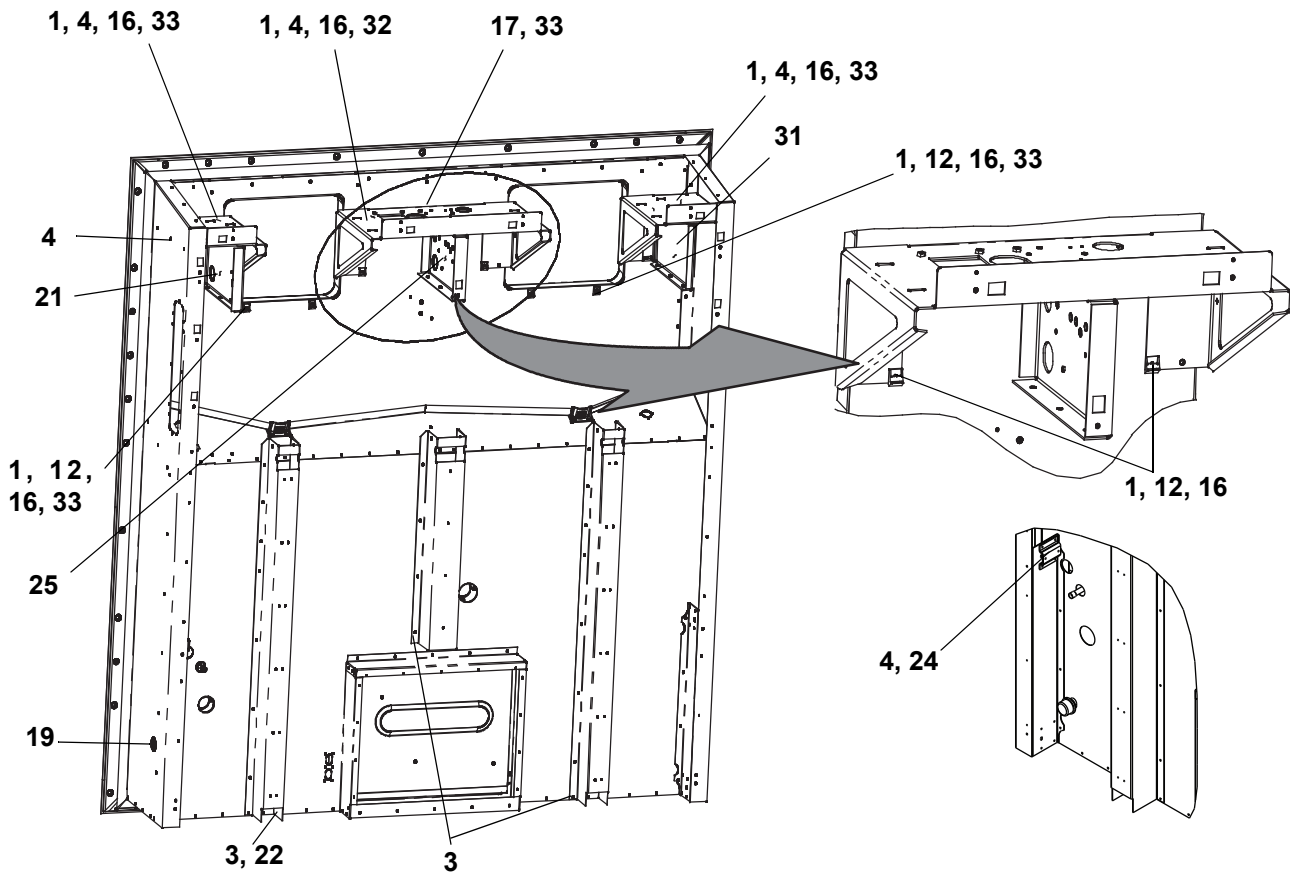
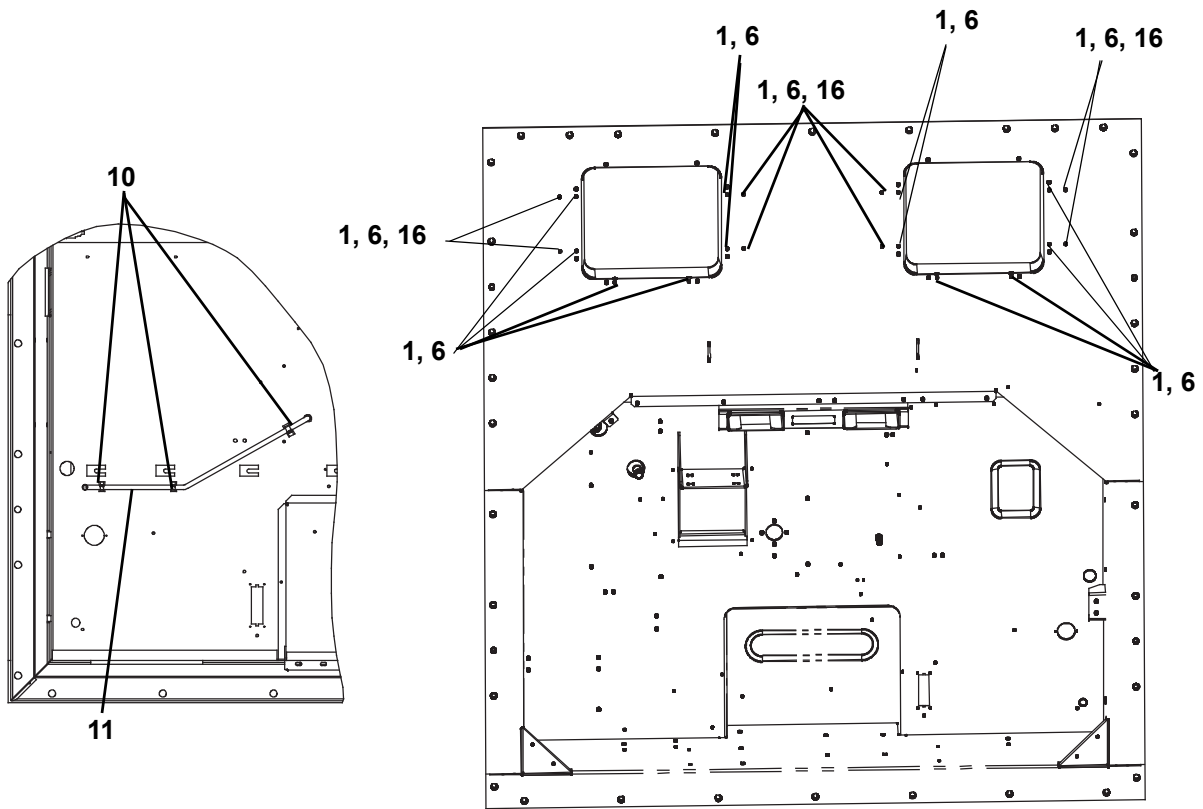
25 EVAPORATOR KIT (SHEET 2 OF 3)

Item	Part Number	Description	Qty
1	14-00273-08	Valve, Expansion	1
2	34-00373-51	Clamp, Tube	1
3	34-00373-59	Clamp, Tube	1
4	34-00663-11	Washer, Lock	11
5	34-00928-09	Rivet, Blind	2
6	34-06269-12	Screw, Lag	2
7	42-00032-14	Insulation	2
8	42-00032-15	Insulation	1
9	42-00237-12	Insulation, Tube	1
10	44-00370-03	Clamp, Cushioned	1
11	44-00370-08	Clamp, Cushioned	1
12	44-00370-10	Clamp, Cushioned	1
13	56-07323-00	Tube, Suction	1
14	56-08348-00	Tube	1
15	56-09029-00	Tube, Liquid	1
16	56-09031-00	Tube, Liquid	1
17	56-09147-00	Tube, Liquid	1
18	56-09183-00	Tube, Liquid	1
19	56-09184-00	Tube, Suction	1
20	56-09185-00	Tube, Equalizer	1
21	58-00065-10	Grommet	1
22	58-00065-46	Grommet	2
23	58-00065-56	Grommet	2
24	58-04664-00	Insulation, Foam	1
25	62-11746-00	Label	1
26	65-00144-00	Heat Exchanger	1
27	66U-1-1571-3	Grommet	1
28	66U-1--3882	Wire Tie	1
29	66U-1-3882-3	Wire Tie	2
30	66U-1-5321-3	Washer, Plain	13
31	66U-1-5361-25	Screw, Cap Hex Head	11
32	66U-1-5381-1	Screw, Hex Head	10
33	66U-1-5381-4	Screw, Hex Head	2
34	66CH-1-1012-59	Insulation, Tube	1

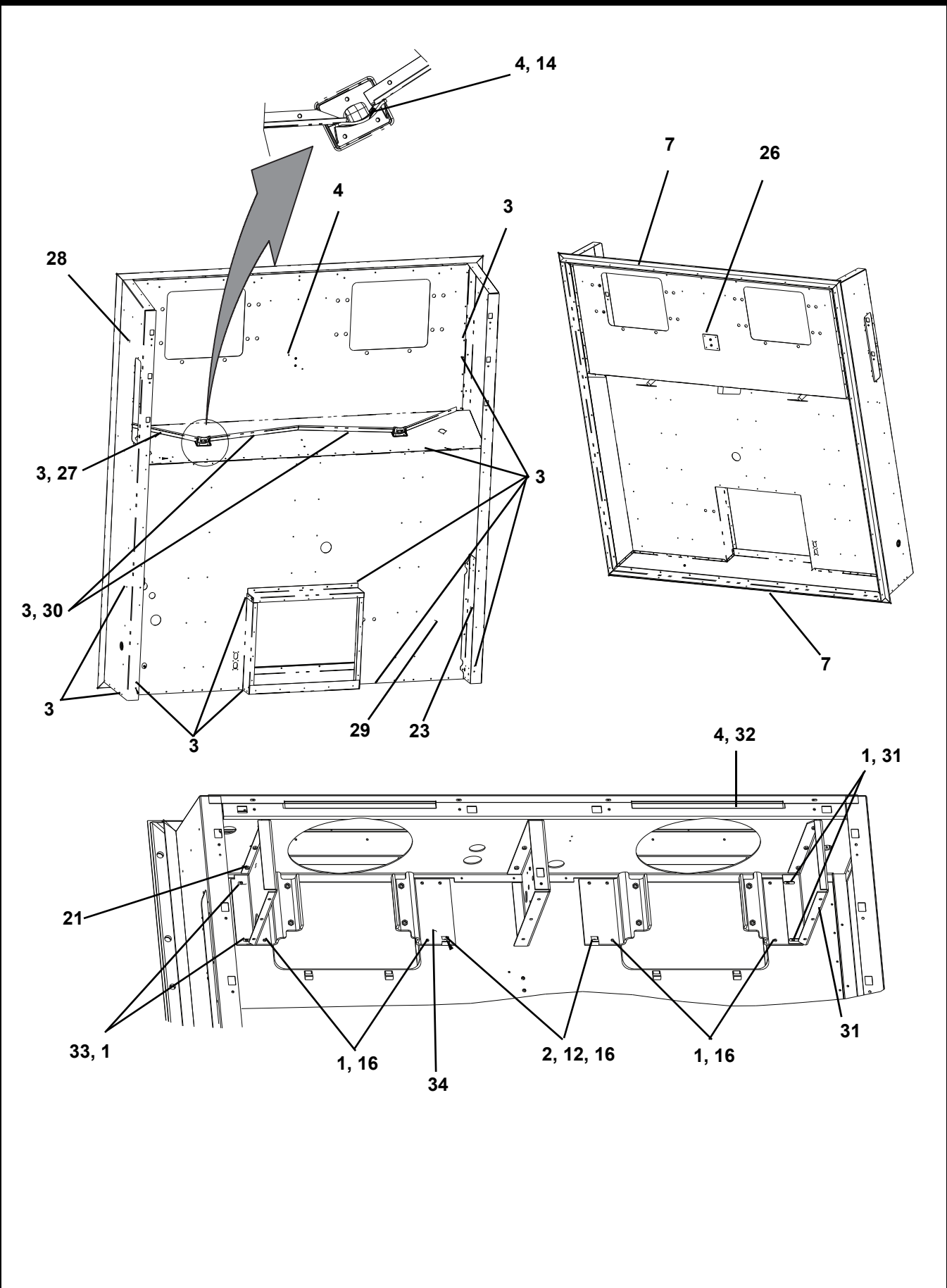
25 EVAPORATOR KIT (SHEET 3 OF 3)

35	68-15015-00	Bracket, TXV	1
36	68-16715-00	Bracket	1
37	68-16893-00	Bracket	1
38	68-17089-00	Plate, Cover	1
39	68-17190-00	Bracket	1
40	81-04186-20	Coil Assembly, Evaporator	1
			77-01663

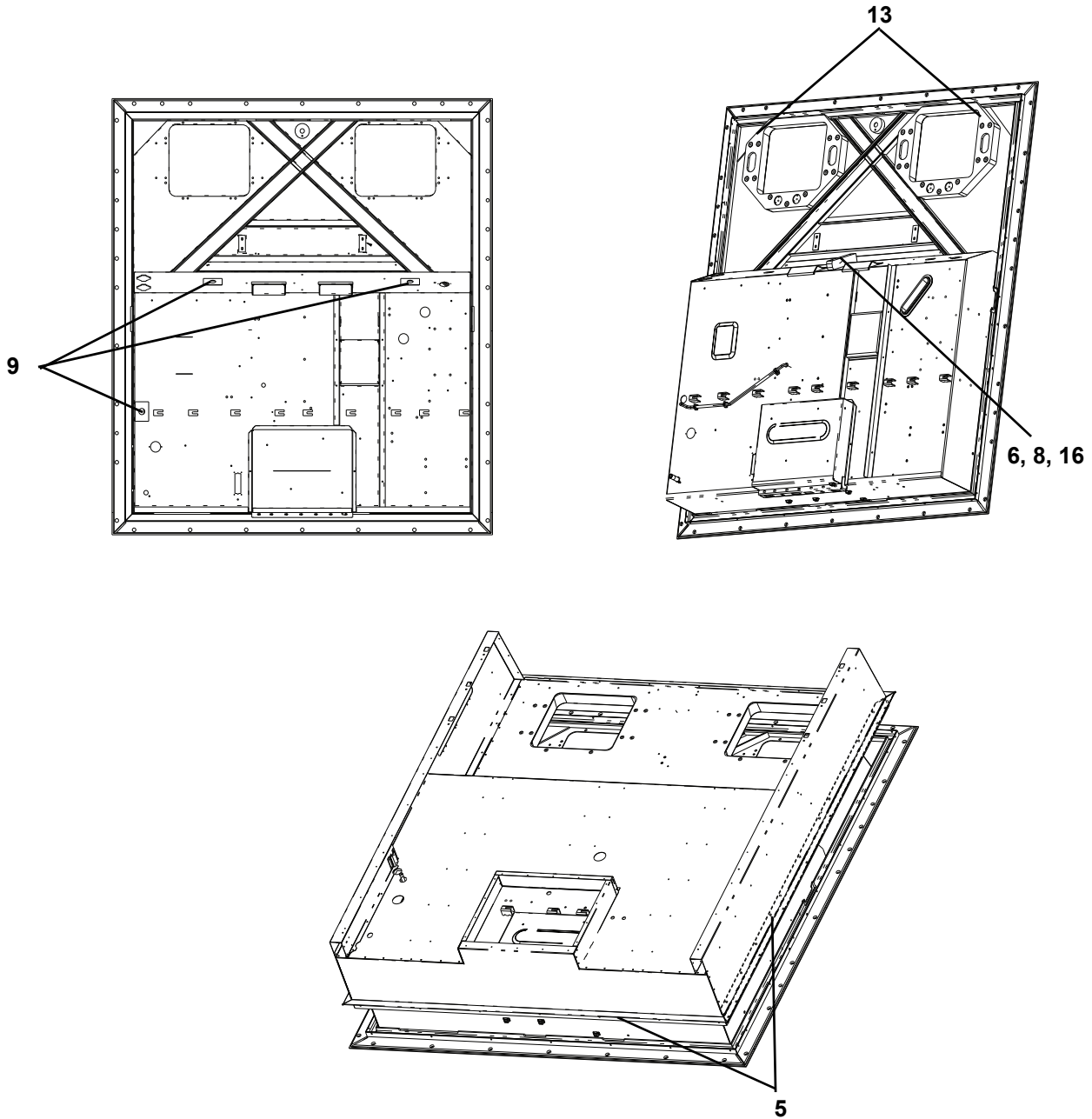
26 FRAME KIT (SHEET 1 OF 4)



26 FRAME KIT (SHEET 2 OF 4)



26 FRAME KIT (SHEET 3 OF 4)



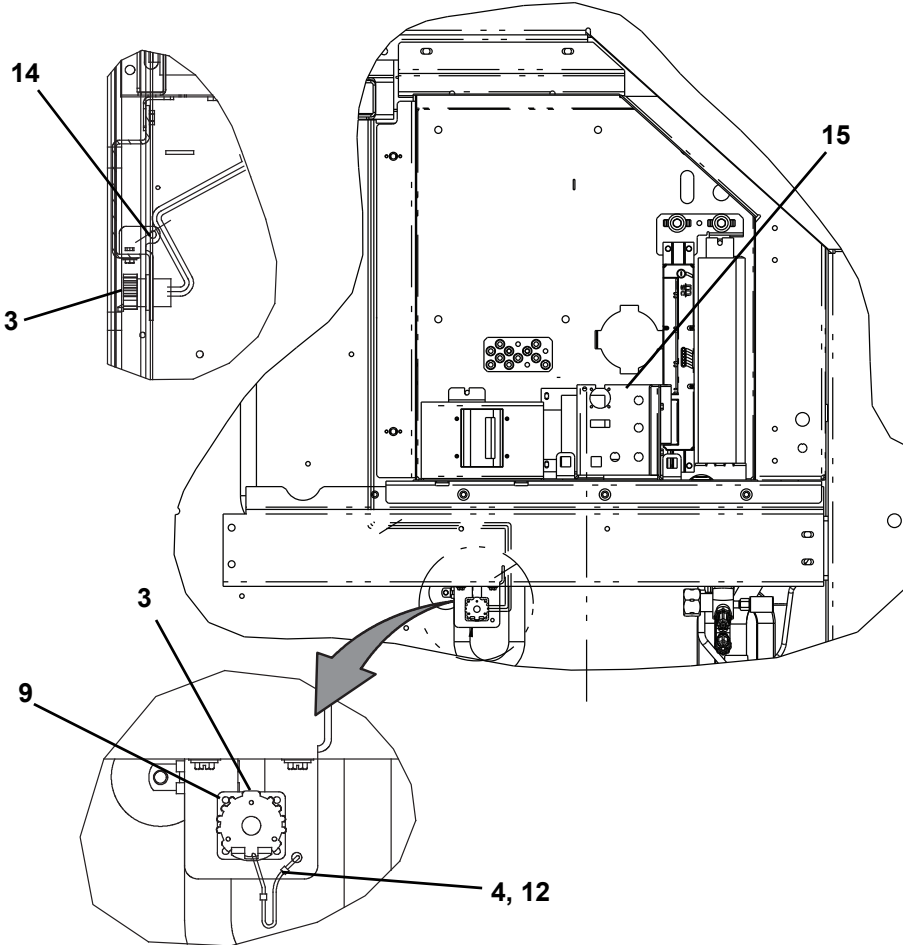
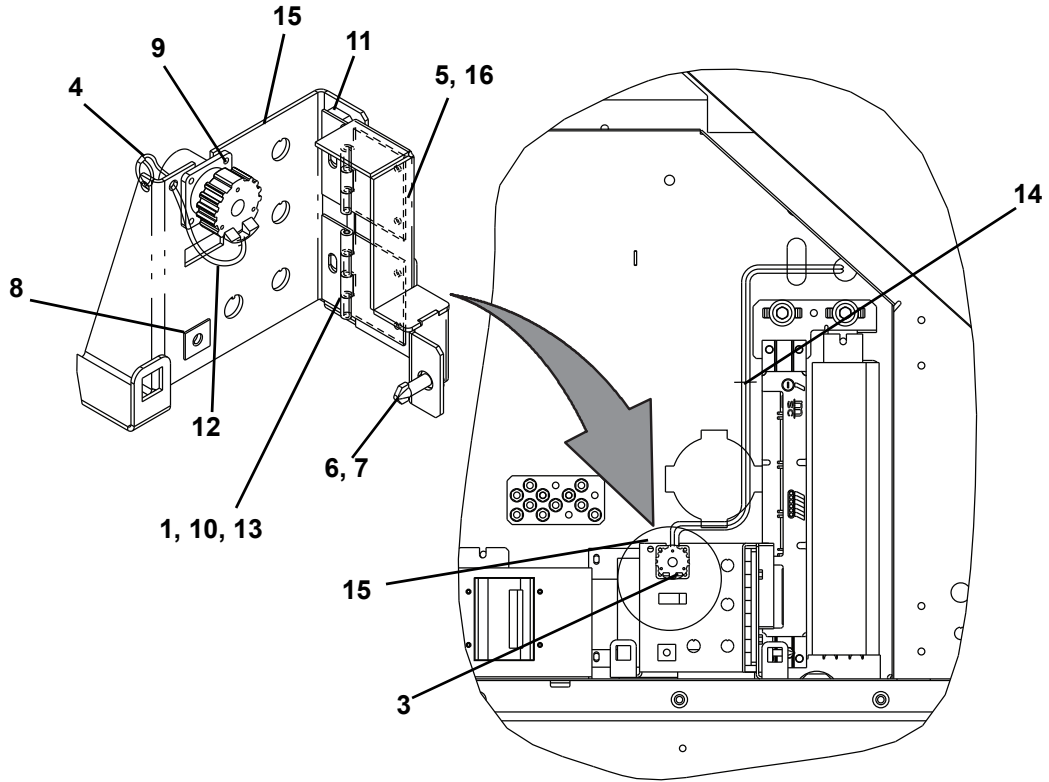
Item	Part Number	Description	Qty
1	34-00655-10	Screw, Cap Hex Head	30
2	34-00655-12	Screw, Cap Hex Head	2
3	34-00928-07	Rivet, Blind	155
4	34-00928-09	Rivet, Blind	23
5	34-00928-21	Rivet, Blind	32
6	34-06053-00	Washer	22
7	34-06124-00	Rivet	40

26 FRAME KIT (SHEET 4 OF 4)

8	34-06269-12	Screw, Lag	2
9	42-00570-00	Gasket	3
10	44-66608-01	Clip, Retaining	3
11	56-09032-00	Tube, Liquid	1
12	58-04246-02	Ty-Rap Base	6
13	58-04935-00	Spacer	2
14	58-04968-00	Fitting	2
15	58-04990-00	Fitting	1
16	66U-1-5321-3	Washer, Plain	26
17	66U-1-5361-25	Screw, Cap Hex Head	9
18	66U-1-5361-47	Bolt, Mach Hex Head	8
19	66U-1-5562-2	Plug, Button	1
20	68-16665-00	Panel, Top	1
21	68-16704-01	Panel	1
22	68-16764-00	Standoff	1
23	68-16817-00	Zee	2
24	68-17127-00	Bracket	1
25	68-17145-00	Panel Assembly	1
26	68-17154-00	Nut Plate Assembly	1
27	68-17188-00	Gutter	1
28	68-17201-00	Channel	1
29	68-17294-03	Panel, Air Duct	1
30	68-17345-00	Gutter	2
31	68-86249-00	Panel Assembly, Evaporator	1
32	68-86250-00	Fan Deck Assembly	1
33	69NT-35-2692-1	Washer, Fender	17
34	69NT-40-476	Channel Assembly	4

77-01676

27 INTERROGATE KIT (SHEET 1 OF 2)

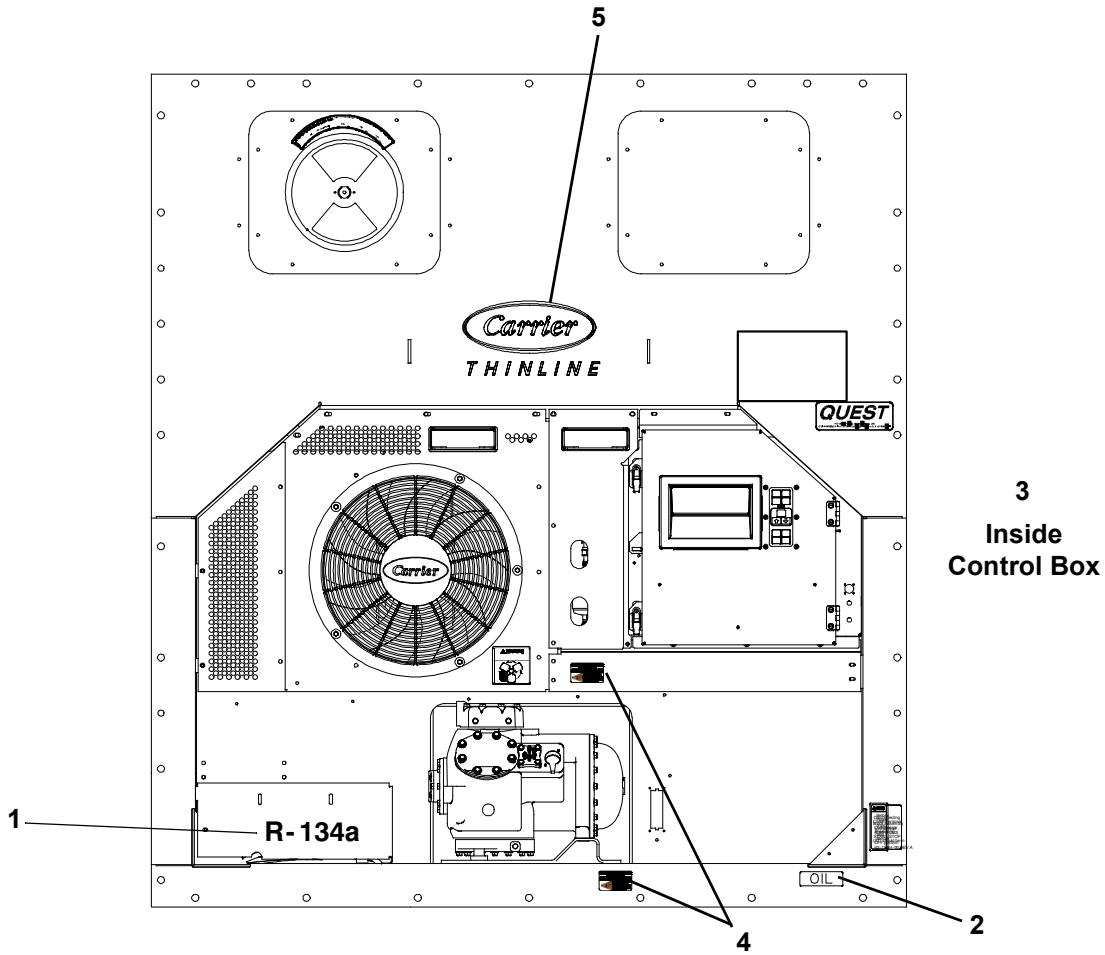


77-01608

27 INTERROGATE KIT (SHEET 2 OF 2)

Item	Part Number	Description	Qty
1	--AU--27JR-131	Washer, Lock	2
2	22-01660-03	Receptacle	1
3	22-01660-05	Cap, Dust	1
4	22-02205-00	Connector	2
5	34-00928-20	Rivet, Blind	4
6	34-06139-00	Retainer	1
7	34-06139-01	Stud	1
8	34-06139-04	Receptacle	1
9	34-06142-00	Rivet	4
10	44-00473-00	Hinge	2
11	48-66623-00	Spacer	1
12	58-01097-00	Cord, Nylon	1
13	66-U---1--2403	Screw, Mach Trhd	2
14	66-U---1--3882	Wire Tie	2
15	68-86259-00	Bracket	1
16	86-66733-00	Cover	1
			77-01608

28 LABEL KIT



77-01691

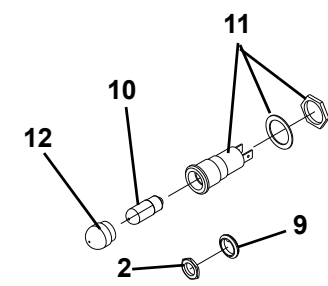
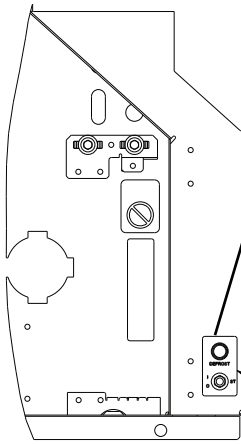
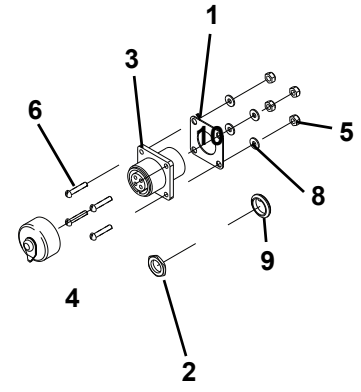
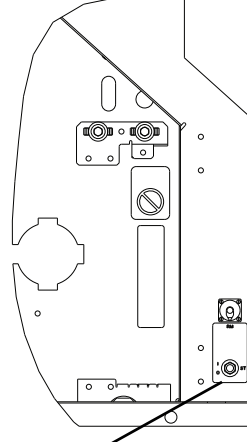
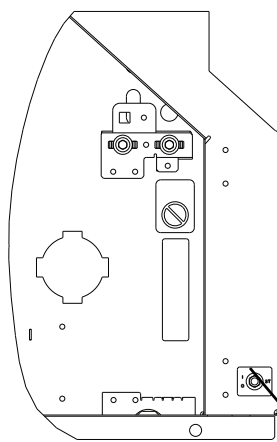
Item	Part Number	Description	Qty
1	62-11252-00	Label, R-134A	1
2	62-11263-00	Label, Poe Compressor Oil	1
3	62-11748-01	Label, Electrical	1
4	62-66081-00	Label, Warning Refrigerant (R-134A)	2
5	62-66714-00	Label, Carrier ThinLINE	1

77-01691-01

29 PANEL KIT

77-01716-01

77-01716-00 & 02



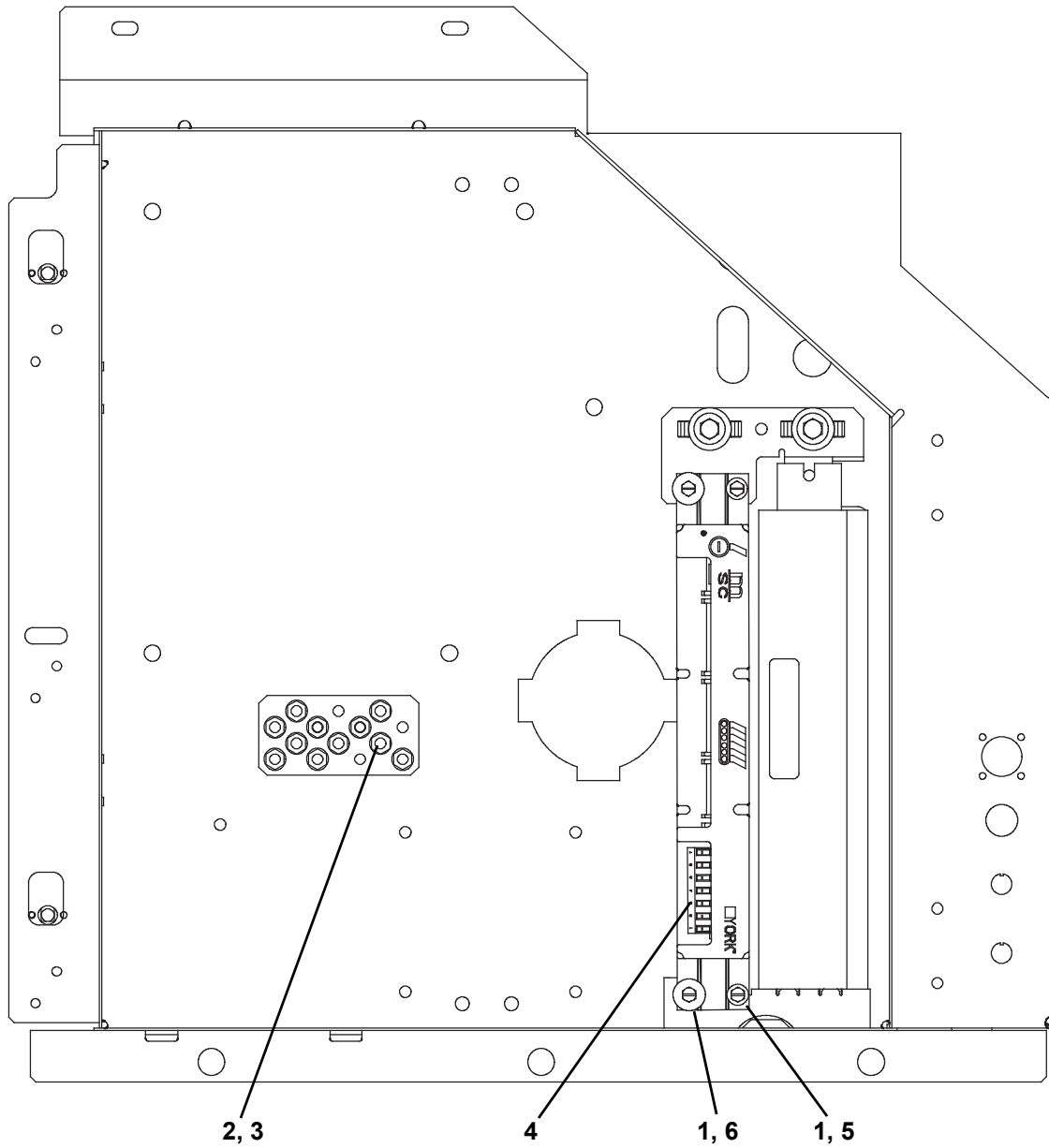
77-01716-03

77-01716

Item	Part Number	Description	Qty
1	--MS51007-4	Gasket	1
2	10-01129-20	Nut, Hex	1
3	22-01604-00	Receptacle	1
4	22-02341-01	Cap & Tether	1
5	34-00667-05	Nut, Self Lock	4
6	34-00848-10	Screw, Machine Round Head	4
7	62-11731-02	Label	1
8	66U-1-5321-6	Washer, Plain	4
9	66U-1-9752	Seal	1
10	22-00049-01	Lamp	1
11	22-00518-01	Base	1
12	22-00519-01	Jewel Assembly	1
13	62-11731-03	Label	1

77-01716-01

30 RMU KIT

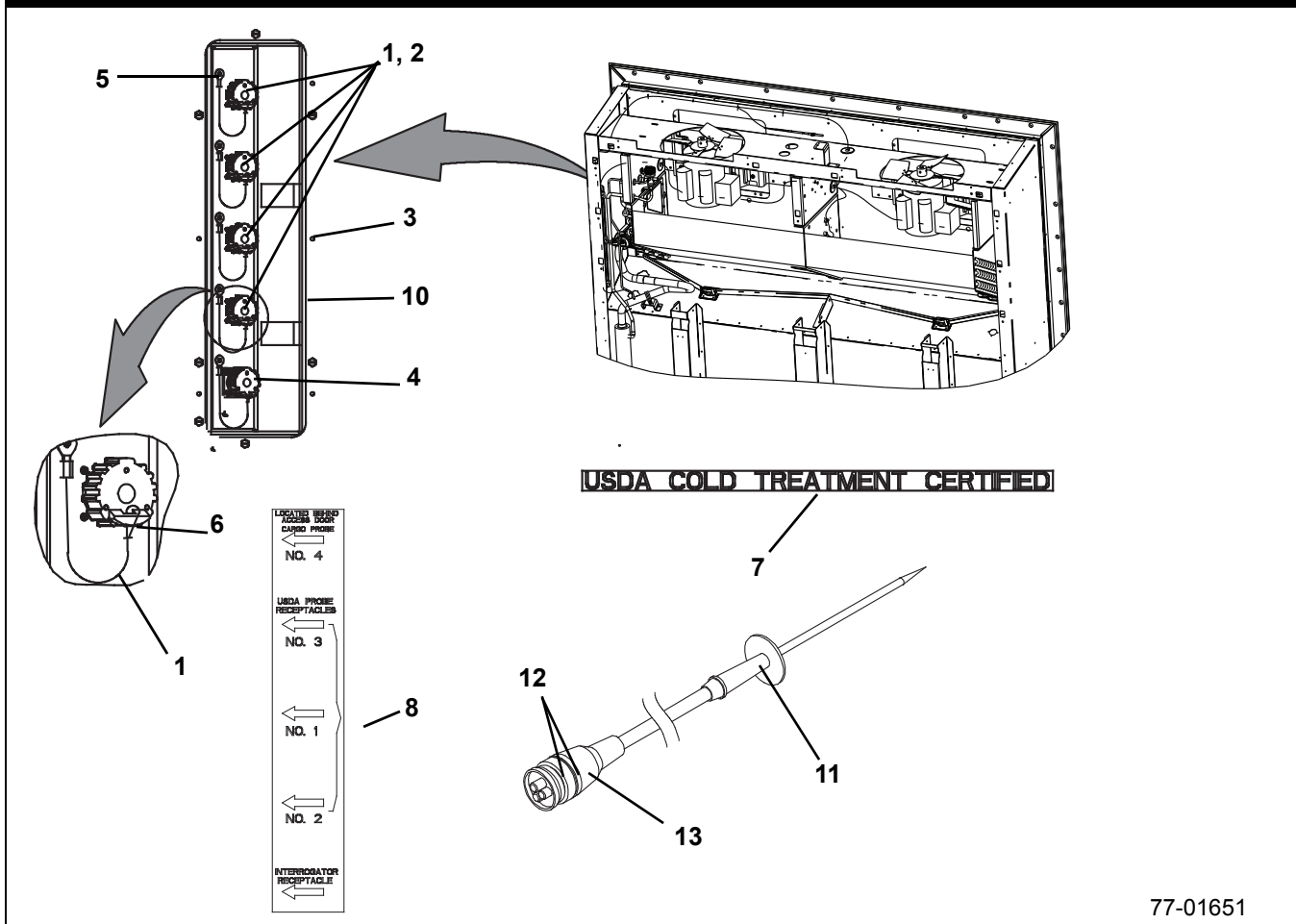


77-01517

Item	Part Number	Description	Qty
1	66U1-5371-7	Screw, Machine Hex Head #10- 24 X .500	4
2	AT39JA171	Nut, Hex 43834	2
3	AU27JR171	Washer, Lock 1/4 Ext Tooth	2
4	22-01556-00	Connector	1
5	66U1-5321-8	Washer, Plain #10 Type A	2
6	69NT35-2692-4	Washer, Fender #10- .743- .765 OD	2

77-01517-01

31 USDA KIT

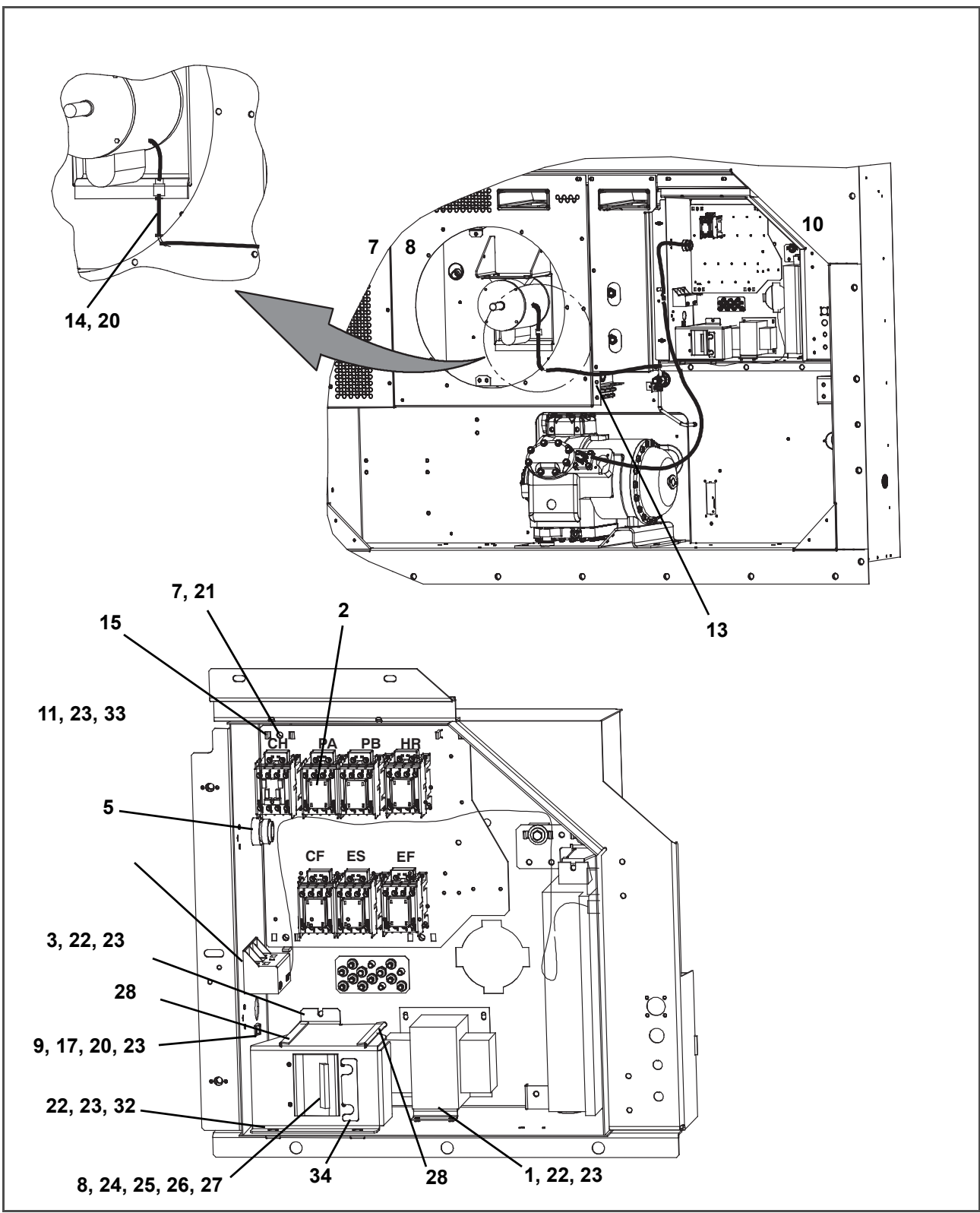


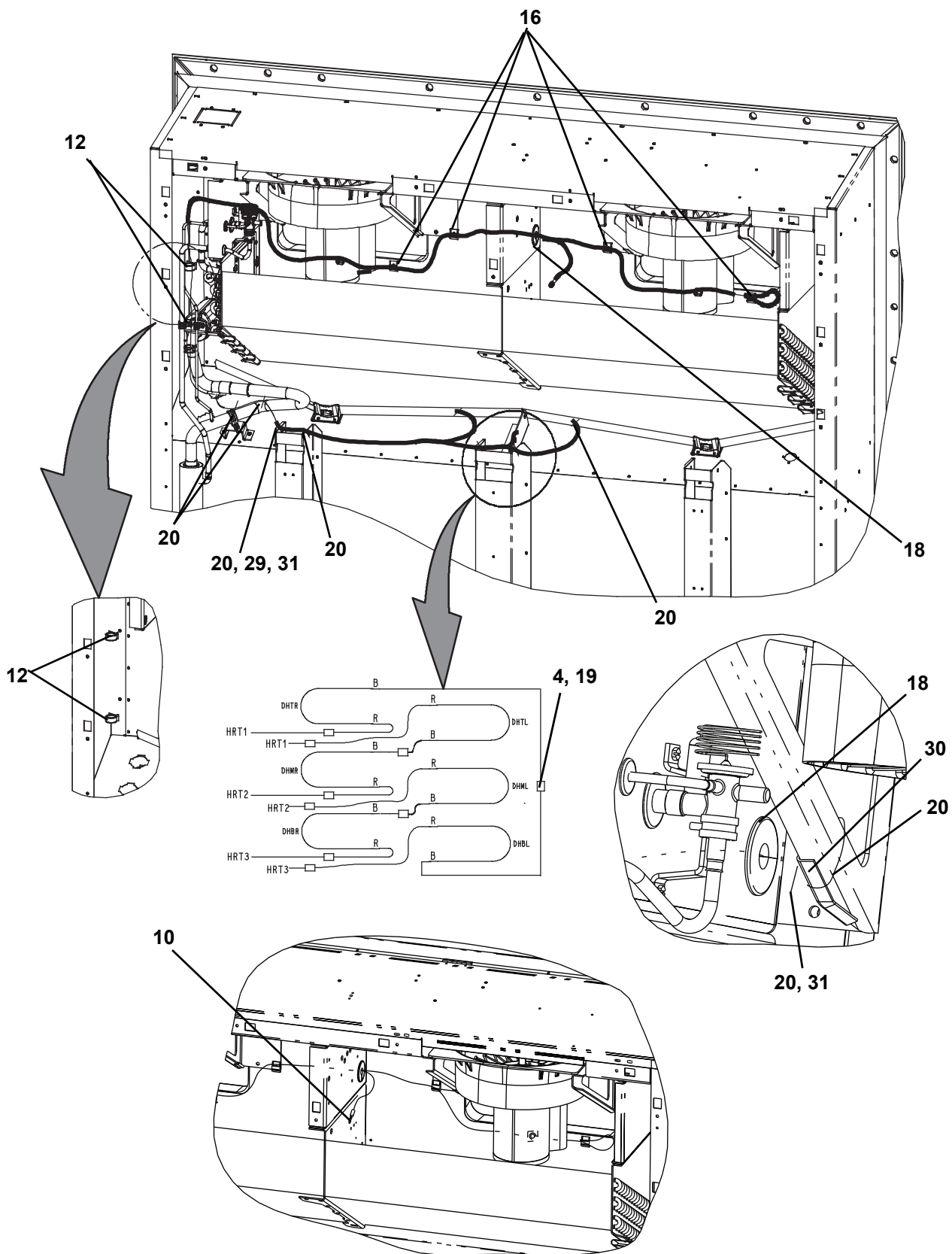
77-01651

Item	Part Number	Description	Qty
1	69NT35-636-1	Tether Assembly	5
2	22-01660-02	Cap, Dust, (3- Pin Receptacle)	4
3	66U1-5371-7	Screw, Machine, Hex Head, #10- 24 X 0.500 Slotted	6
4	22-01660-05	Cap, Dust (5- Pin Receptacle)	1
5	34-06142-00	Rivet, 0.110 Inch Diameter, 0.126- 0.250	25
6	22-02205-00	Connector Splice, Non- Insulated	5
7	62-11275-00	Label, USDA Cold Treatment Certified	1
8	62-11729-00	Label, USDA	1
9	66U1-3882	Wire Tie, 1/16- 1- 3/4, Self- Locking	4
10	68-17023-00	Panel	1
USDA Probe Kit			
11	12-50089-00	Sensor Assembly, 600 Inches Long (15M) (USDA Probe) - Includes:	A/R
12	22-50127-00	Plug, Socket (PR1, PR2, PR3, Cargo Probe 4)	1
13	22-01613-15	Contact, Socket, #16	A/R

77-01675-01

32 WIRING KIT (SHEET 1 OF 3)

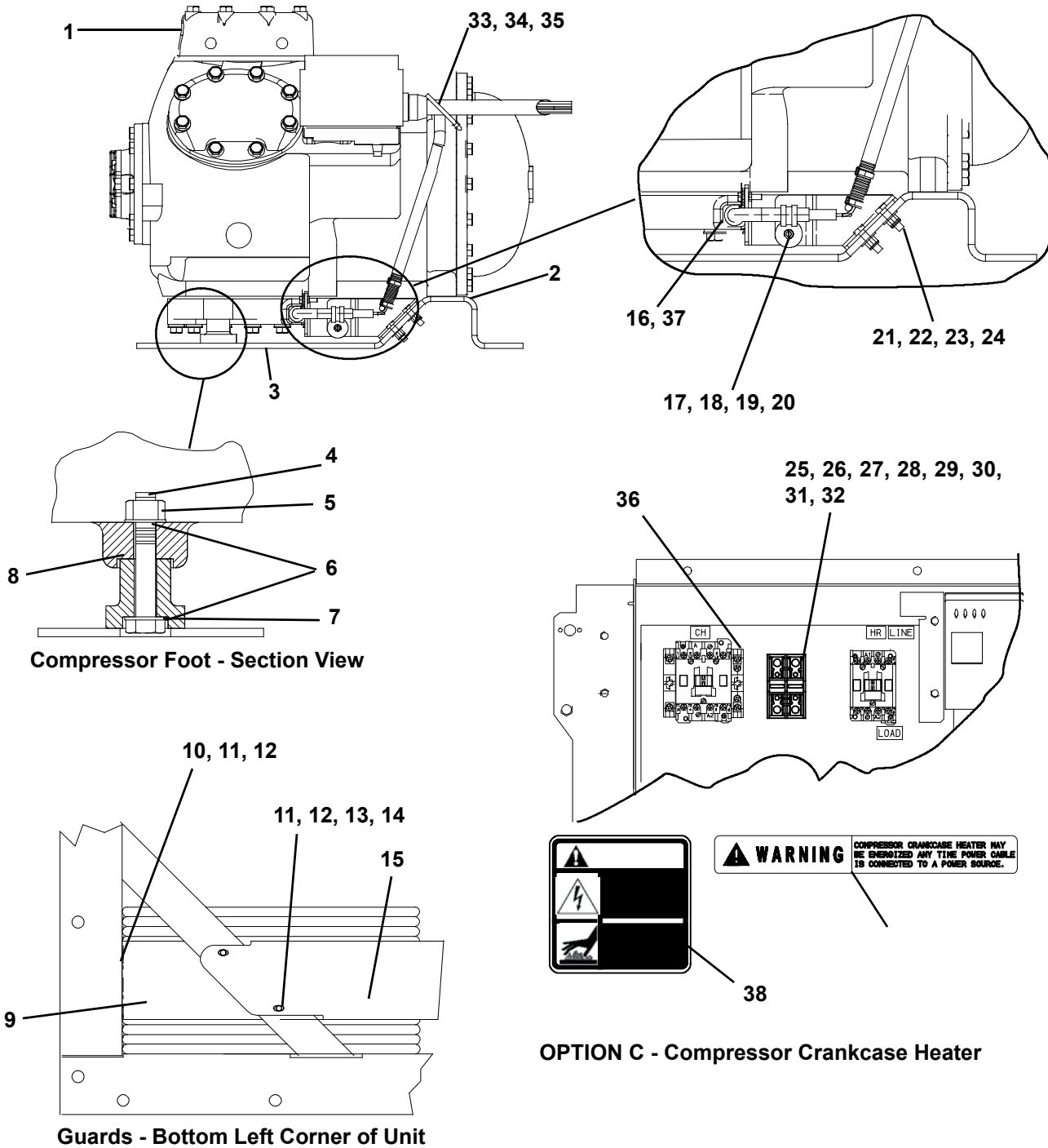




32 WIRING KIT (SHEET 3 OF 3)

Item	Part Number	Description	Qty
1	10-00332-21SV	Transformer	1
2	10-00431-11	Cover	2
3	10-00439-02	Transformer	1
4	22-01292-02	Butt Splice	9
5	22-02302-03	Connector	1
6	34-00655-04	Screw, Cap Hex Head	1
7	34-00655-08	Screw, Cap Hex Head	4
8	34-00663-07	Washer, Lock	4
9	34-00663-09	Washer, Lock	1
10	34-01178-22	Screw, Tc Hxhd	1
11	34-06053-13	Washer, Rtnng	1
12	44-00361-00	Clip, Retaining	2
13	58-00065-93	Grommet	1
14	58-00848-13	Tube, Slit	1
15	58-00967-00	Spacer	4
16	58-00969-00	Wire Tie	12
17	58-04246-00	Ty-Rap Base	1
18	58-04273-00	Grommet	2
19	66U-1-3803	Tube, Heat Shrnk	9
20	66U-1-3882	Wire Tie	53
21	66U-1-5321-7	Washer, Plain	5
22	66U-1-5321-8	Washer, Plain	10
23	66U-1-5371-7	Screw, Machine Hex Head	12
24	66U-1-6651-19	Screw, Machine Hex Head	4
25	66-U---1--7842-12	Circuit Breaker	1
26	66U-1-7842-6	Nut, Hex	6
27	66U-1-7842-7	Washer, Flat	12
28	66CH-1-1172-28	Trim, Flexible	2
29	66CH-1-1172-32	Trim, Flexible	4
30	66CH-1-1172-43	Trim, Flexible	1
31	66NS1201CD0020	Sleeve	5
32	68-17405-00	Bracket	1
33	69NT--35--2692-4	Washer, Fender	1
34	69NT--35--9073-1	Label	1

33 COMPRESSOR MOUNTING, GUARD, CRANKCASE HEATER COMPONENTS (SHEET 1 OF 3)



Item	Part Number	Description	Qty
1	-	Compressor - Refer to Section 4	-
2	69NT35-6132	Protector (Compressor to Compressor Base)	1
3	69NT43-469	Base, Compressor	1
NSS	66U1-5361-7	Bolt, Hex Head, 3/8- 16 x 1.00 lg. - SST	7
NSS	66U1-5321-5	Washer, Flat, 3/8 - SST	7

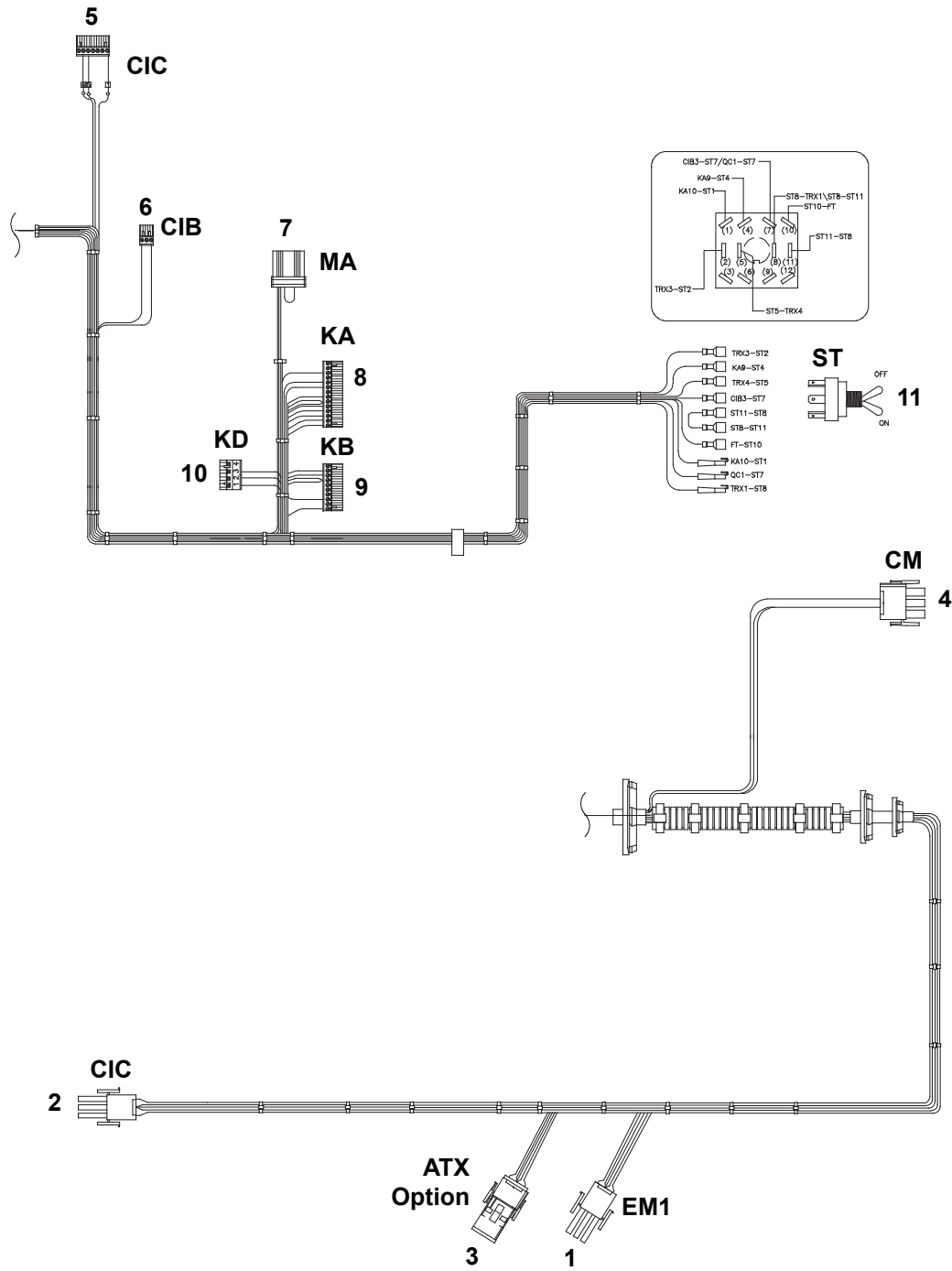
33 COMPRESSOR MOUNTING, GUARD, CRANKCASE HEATER COMPONENTS (SHEET 2 OF 3)

NSS	AU11JR241	Washer, Lock, 3/8 - SST	7
NSS	34-06053-02	Washer, Mylar, 0.375 ID x 1.00 OD	7
4	34-00849-22	Cap screw, 7/16- 14 x 2- 3/4 lg. - SST	2
5	34-00667-14	Locknut, 7/16- 14 - SST	2
6	66U1-5321-8	Washer, Flat, 7/16 - SST	4
7	34-06053-07	Washer, Mylar, 0.438 ID x 0.922 OD	2
8	34-06053-01	Washer, Mylar, 0.438 ID x 1.125 OD	2
9	68-12993-00	Panel, Guard	1
	68-12523-00	Panel, Guard - Large	1
10	66U1-5361-25	Screw, Hex Head, 1/4- 20 x 3/4 lg. - SST	1
11	66U1-5321-7	Washer, Flat, 1/4 - SST	9
12	34-06053-00	Washer, Mylar, 1/4 ID x 3/4 OD	9
13	66U1-5361-11	Cap screw, Hex Head, 1/4- 20 x 1- 1/2 lg. - SST	4
14	34-00667-11	Locknut, 1/4- 20 - SST	4
15	68-12432-00	Guard, Compressor, 0.125 Thick Alum. (Blue)	1
	68-12432-01	Guard, Compressor, 0.090 Thick Alum. (Blue)	1
	68-12432-02	Guard, Compressor, 0.090 Thick Alum. (White)	1
	68-12432-03	Guard, Compressor, 0.125 Thick Alum., For Right Extended Guard (Blue)	1
Option C - Crankcase Heater			
-	76-00766-00	Crankcase Heater Installation Kit - Includes:	1
16	24-02019-02	Heater, Compressor Crankcase (CCH) NSS	1
17	44-00370-03	Clamp, Tube, Cushioned, 1/2 Diameter - SST	1
18	34-06053-03	Washer, Mylar, 1/4 ID x 1.0 OD	1
19	66U1-5371-6	Screw, Machine Hex Head, #10- 24 x 0.75 lg. - SST	1
20	69NT-35-8284	Bracket, Heater Mounting	1
21	34-00655-08	Screw, Hex Head, 1/4- 20 x 1.00 lg - SST	2
22	34-06053-00	Washer, Mylar, 0.25 ID x 0.75 OD	4
23	34-00662-11	Washer, Flat, 1/4 x 0.05 Thick	4
24	34-00667-11	Locknut, 1/4- 20	2
25	22-04044-00	Fuse Block	1
26	22-04044-01	Fuse Holder	2
27	22-04043-00	Fuse	2
28	34-01178-22	Screw, #8- 32 x 0.5 long	2
29	66U1-5321-2	Washer, #8	2

33 COMPRESSOR MOUNTING, GUARD, CRANKCASE HEATER COMPONENTS (SHEET 3 OF 3)

30	66U1-5321-8	Washer, Flat #10	4
31	68-14852-00	Bracket, Fuse Holder Mounting	1
32	66U1-5381-1	Screw, Hex Head #10- 24 x 0.75 long	4
33	58-04321-01	Tube, Split (3/8 x 72 long	1
34	66U1-3882	Wire Tie	10
35	22-02302-02	Connector	1
36	10-00431-02	Contactoer, Aux.	1
37	02-00086-00	Thermo Grease	1
38	62-10921-00	Label	1
39	69NT35-8218-01	Label	1

34 WIRING ASSEMBLY, HIGH VOLTAGE HARNESS (SHEET 1 OF 3)



77-00434

Item	Part Number	Description	Qty
	91-00451-26	High Voltage Harness - Includes:	
1		EM1 - Includes:	
	22-01997-20	Plug	1
	22-01997-08	Sealing Plug	9
	22-01997-06	Terminal	3
	22-01997-21	Wire Seal	1

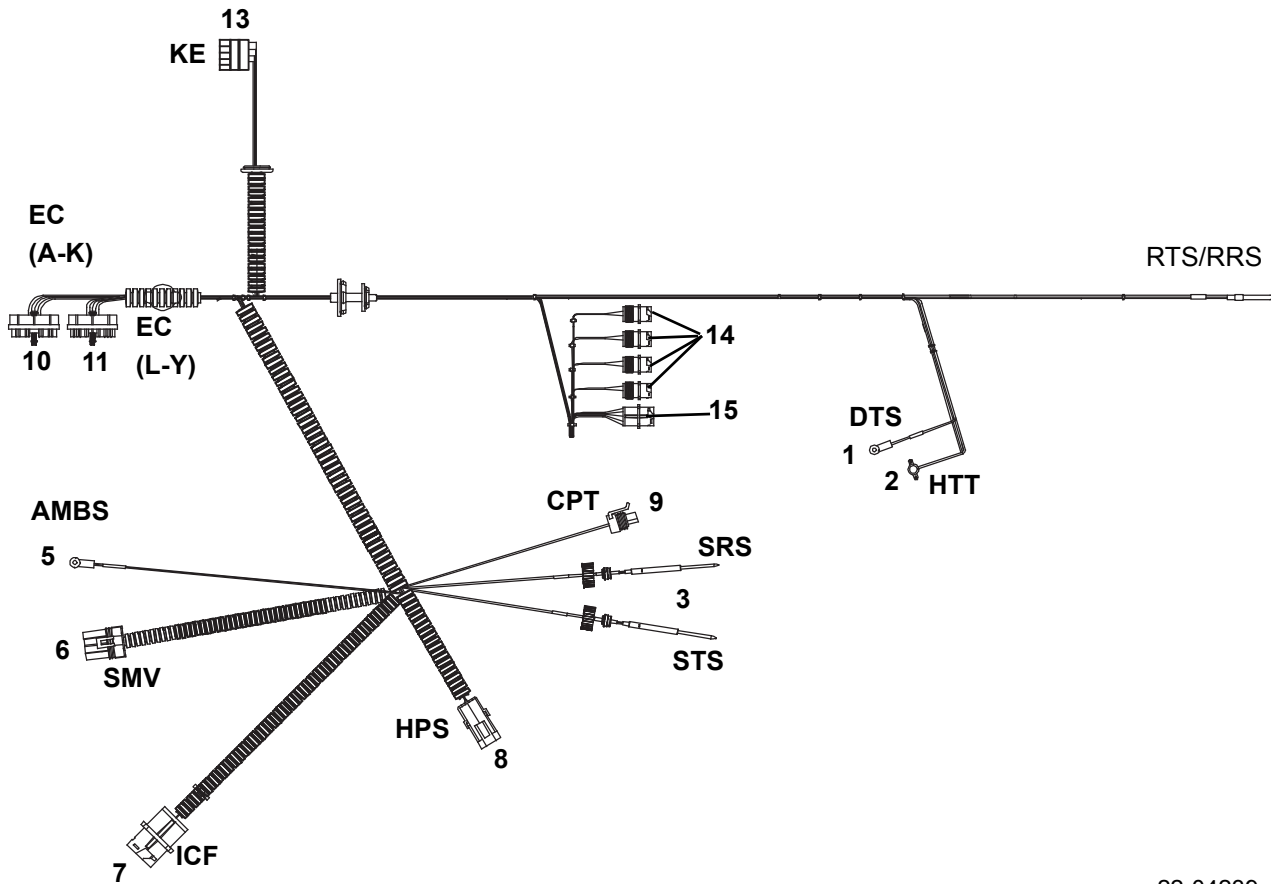
34 WIRING ASSEMBLY, HIGH VOLTAGE HARNESS (SHEET 2 OF 3)

	22-01997-22	Interface Seal	
2		EM2 - Includes:	
	22-01997-20	Plug	1
	22-01997-06	Terminal	9
	22-01997-08	Sealing Plug	3
3		ATX Option - Includes:	
	22-01997-12	Plug	1
	22-01997-11	Cap	1
	22-01997-08	Sealing Plug	18
	22-01997-06	Terminal	2
	22-01997-13	Wire Seal	2
	22-01997-14	Interface Seal	1
4		CM - Includes:	
	22-01997-12	Plug	1
	22-01997-06	Terminal	4
	22-01997-08	Sealing Plug	3
	22-01997-13	Wire Seal	1
	22-01997-14	Interface Seal	1
5		CIC - Includes:	
	22-01556-06	Block	1
	22-02324-09	Terminal	3
6		CIB - Includes:	
	22-01556-04	Block	1
	22-01735-00	Terminal	2
7		MA - Includes:	
	22-01622-01	Block	1
	22-01622-03	Terminal	5
8		KA - Includes:	
	22-01556-02	Block	1
	22-01735-00	Terminal	12
9		KB - Includes:	
	22-01556-01	Block	1
	22-01735-00	Terminal	7
10		KD - Includes:	
	22-04031-00	Block	1

34 WIRING ASSEMBLY, HIGH VOLTAGE HARNESS (SHEET 3 OF 3)

	22-04032-00	Terminal	4
11	10-01129-11	Switch, Toggle, Start/Stop (ST)	1
			77-00434-00

35 HARNESS - LOW VOLTAGE (SHEET 1 OF 2)



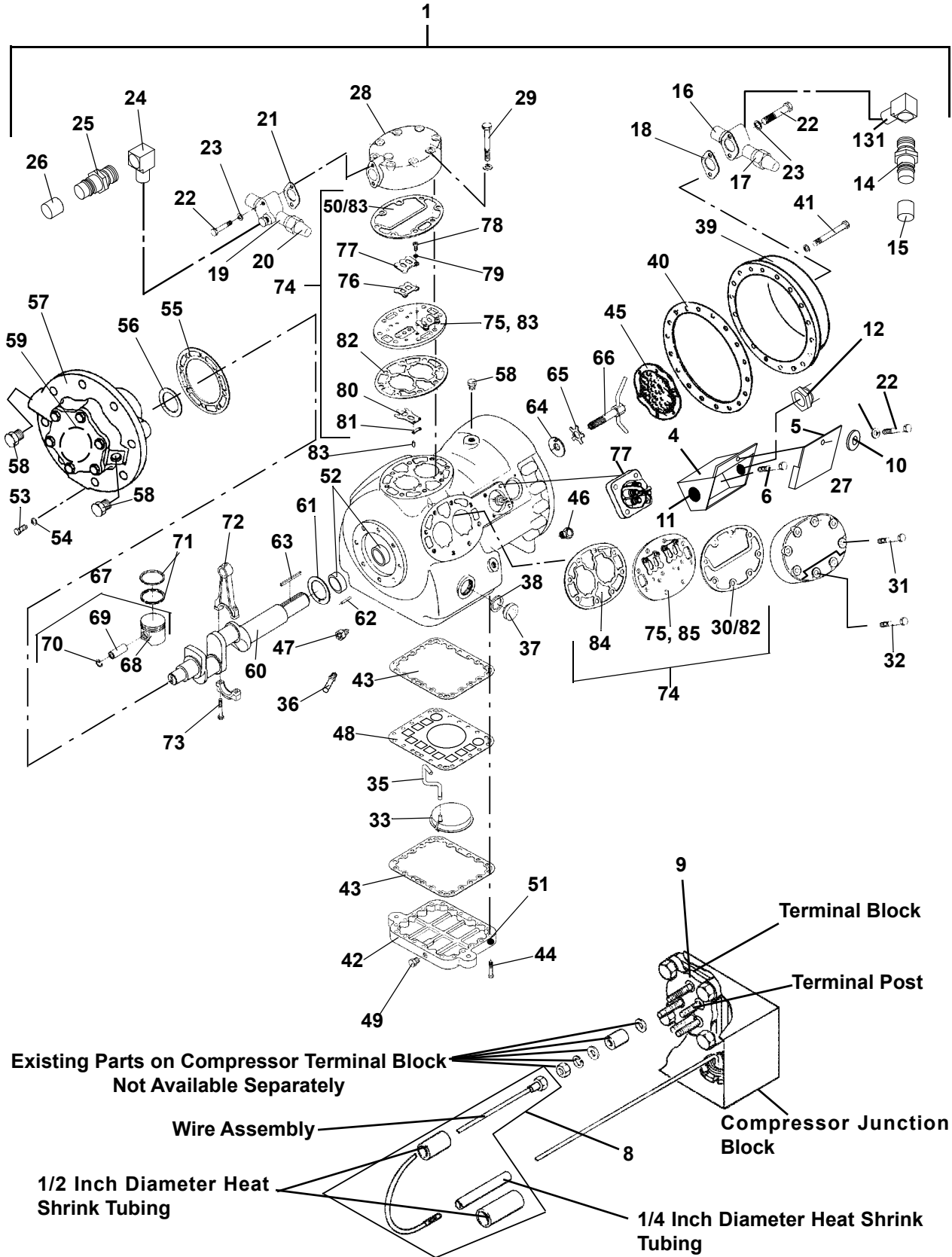
22-04239

Item	Part Number	Description	Qty
1	12-00495-01	Sensor, Defrost Temperature (DTS)	1
2	12-00170-08	Sensor, Heater Termination Thermostat (HTT)	1
3	12-00395-02	Sensor, Supply Recorder/Supply Temperature (SRS/STS)	2
4	12-00500-00	Sensor, Return Recorder/Return Temperature (RTS/RRS)	1
5	12-00495-00	Sensor, Ambient Temperature (AMBS)	1
6	22-66691-06	Harness Low Voltage includes:	
		Suction Modulation Valve (SMV) - Includes:	
	22-01585-04	Block	1
	22-01566-01	Terminal	4
	22-02394-02	Cable Seal	4
7		ICF - Includes:	
	22-01660-03	Block	1
	22-01613-14	Terminal	5
8		High Pressure Switch (HPS) - Includes:	
	22-02392-00	Block	1

35 HARNESS - LOW VOLTAGE (SHEET 2 OF 2)

	22-02393-01	Terminal	2
	22-02394-00	Cable Seal	2
9		Condenser Pressure Transducer (CPT) - Includes:	
	22-04248-00	Block	1
	22-01777-03	Terminal	3
10		EC (A-K) - Includes:	
	22-01777-00	Block	1
	22-01777-03	Terminal	16
	22-01777-02	Seal	4
	22-01777-06	Seal	4
	22-01777-07	O- Ring	2
	66U1-6651-24	Bolt	1
11		EC (L- Y) - Includes:	
	22-01777-01	Block	1
	22-01777-03	Terminal	19
	22-01777-04	Seal	21
12		Suction Modulation Valve (SMV) - Includes:	
	22-01585-04	Block	1
	22-01566-01	Terminal	4
	22-02394-02	Seal	4
13		KE - Includes:	
	22-04031-01	Connector	1
	22-04032-00	Terminal	5
14		USDA - Includes:	
	22-01660-00	Connector	4
	22-01613-12	Terminal	8
	22-01614-06	Plug	4
15		USDA - Includes:	
	22-01660-03	Connector	1
	22-01613-12	Terminal	5
			22-04239-03

36 COMPRESSOR ASSEMBLY (SHEET 1 OF 6)



36 COMPRESSOR ASSEMBLY (SHEET 2 OF 6)**Option 1R - Service Replacement Compressor**

Item	Part Number	Description	Qty
1	18-00055-20SV	Compressor, 41 CFM, Single Speed, 460 vac/3 ph/60 hz	1
NS	07-00292-00	SW20 Compressor Oil, Castrol Icematic (Quart)	4

NOTE

Replacement Compressor is sold without terminal box and cover, and without shut-off valves. Customer should retain the original terminal box and valves for use on replacement compressor.

Terminal Mounting and Junction Box Group

2	66U1-5371-7	Screw, Hex Head, #10- 24 x 1/2 lg. (cover to box) - SST	2
3	66U1-5321-8	Washer, Flat, #10 (cover to box) - SST	2
4	69NT20-513-1SV	Box, Junction (Located on Front of Compressor) - Includes:	1
	69NT20-513SV	Box, Junction (Located on Back of 230/460v Compressor) - Includes:	1
5	69NT20-2083	Cover, Junction Box	1
6	AD61JA124	Screw, Pan Head, #10- 32 x 3/8 lg. (box to compressor)	4
7	17-40093-06	Terminal, Compressor (5 Terminals)	1
	17-40093-05	Terminal, Compressor (6 Terminals)	1
8	76-00355-00	Kit, Compressor Terminal Wiring (Single Voltage)	1
NS	76-00384-00	Kit, Compressor Terminal Wiring (Dual Voltage or Single Voltage)	1
9	17-40075-05	Gasket, Terminal Plate - Fiber	1
	17-44128-00	Gasket, Terminal Plate - Coated Steel	1
10	34-06053-05	Washer, Mylar, 0.205 ID x 0.600 OD	2
11	66U1-5562-7	Plug, 1- 1/4 Diameter - Plastic	A/R
12	22-02302-03	Connector, 3/4 Conduit	A/R

Service Valve Group

13	40-00523-00	Elbow, M13 x M13 - Brass	1
14	40-00520-00	Coupling, M13 - Brass - Includes:	1
15	40-00520-02	Cap, Service Port	1
16	14-00206-00	Valve, Suction Shut-Off, 1- 1/8 ODS	1
17	17-10812-00	Cap, Seal	1
18	17-10811-05	Gasket, Suction Service Valve	1
19	14-00206-01	Valve, Discharge Shut-Off, 7/8 ODS	1
20	17-10812-00	Cap, Seal	1
21	17-10811-05	Gasket, Discharge Service Valve	1
22	66U1-5361-46	Bolt, Hex Head, 5/16- 18 x 1- 7/8 lg. - SST	2
23	17-40013-00	Gasket, Bolt, 5/16	2

36 COMPRESSOR ASSEMBLY (SHEET 3 OF 6)

24	40-00523-01	Elbow, M15 x M15 - Brass	1
25	40-00520-01	Coupling, M15 - Brass - Includes:	1
26	40-00520-03	Cap, Service Port	1

Compressor - Motor Body Group

NS	-	Gasket Set (Refer to Section 4.8???)	
27	17-21040-00	Head, Cylinder - Side Bank (Shaved Head)	2
28	17-40016-01	Head, Cylinder - Center Bank	1
29	17-40018-05	Screw, Hex Head - Center Head, 3/8- 16 x 3.00 lg. - SAE Grade 5	8
30	17-44124-00	Gasket, Cylinder Head (Side Bank) - Coated Steel	3
31	17-40034-05	Screw, Hex Head, 3/8- 16 x 2.00 lg. - SAE Grade 5	12
32	17-40037-05	Screw, Hex Head, 3/8- 16 x 1.00 lg. - SAE Grade 5	4
33	17-40020-00	Screen Assembly, Oil Filter	1
34	17-40007-00	Gasket, Bolt, 1/2	4
35	17-21062-00	Tube, Oil Suction	1
36	17-44763-00	Orifice, Oil Relief	1
37	17-21201-00SV	Sight Glass Package, Oil Level - Includes:	1
38	17-44021-00	Gasket, Sight Glass - Coated Steel	1
39	17-20004-00	Cover, Motor End	1
40	17-40029-05	Gasket, Motor End Cover - Fiber	1
	17-44136-00	Gasket, Motor End Cover - Coated Steel	1
41	PL	Screw, Hex Head, 7/16- 14 x 1- 1/4 lg. - SAE Grade 5	18
42	17-40032-00	Plate, Bottom	1
43	17-40033-05	Gasket, Bottom Plate - Fiber	2
	17-44129-00	Gasket, Bottom Plate - Coated Steel	2
44	17-40034-05	Screw, Hex Head, 3/8- 16 x 2.00 lg. - SAE Grade 5	22
45	17-20005-00	Strainer Assembly, Suction	1
46	PL	Plug, Pipe, Oil Fill, 1/4	1
47	17-40042-00	Check Valve Assembly, Oil Return	1
48	17-21063-00	Plate, Screen Hold Down	1
49	PL	Pipe Plug (High & Low Pressure Connection and Oil Drain), 1/4- 18 NPT	3
50	17-44123-00	Gasket, Cylinder Head (Center Bank)	1
51	-	Heater, Crankcase - See section 2.34 ??	1
52	17-40025-00	Bushing, Motor End	2

Pump End Group

36 COMPRESSOR ASSEMBLY (SHEET 4 OF 6)

53	17-40037-05	Screw, Hex Head, Bearing Head, 3/8- 16 x 1.00 lg. - SAE Grade 5	8
54	17-40019-00	Gasket, Capscrew, 3/8	8
55	17-44022-00	Gasket, Cover Plate - Coated Steel	1
56	17-55009-01	Washer, Thrust	1
57	17-44137-00	Bearing Head & Low Profile Oil Pump Package - Includes:	1
58	17-44037-00	Plug, Oil Pump (Includes O- ring)	2
59	17-44139-00	Seal, O- ring	1

Crankshaft, Rod and Piston Group

60	17-40411-00	Crankshaft	1
61	17-40050-00	Washer, Thrust	1
62	17-40048-00	Pin, Spiral, 5/32 Diameter x 5/8 lg.	2
63	34-01110-00	Key, Rotor Drive	1
64	17-21075-00	Washer, Rotor	1
65	17-21076-00	Washer, Star, Rotor, 5/8	1
66	17-21077-00	Tube Assembly, Equalizer	1
67	17-44115-01	Piston & Pin Pkg (Standard) - Includes:	6
	17-44115-20	Piston & Pin Pkg (+0.020) - Includes:	A/R
68	NSS	Piston	1
69	17-40052-00	Pin, Piston	1
70	17-40053-00	Retainer, Piston Pin	2
71	17-40055-00	Ring, Compression (Standard)	12
	17-55025-00	Ring, Compression (+0.020)	12
72	17-40056-02	Connecting Rod and Cap Assembly (Standard) - Includes:	6
	17-55023-00	Connecting Rod and Cap Assembly (+0.010) - Includes:	6
NS	17-40057-00	Pin, Dowel	2
73	17-55008-00	Capscrew - Special (Epoxy Coated)	2

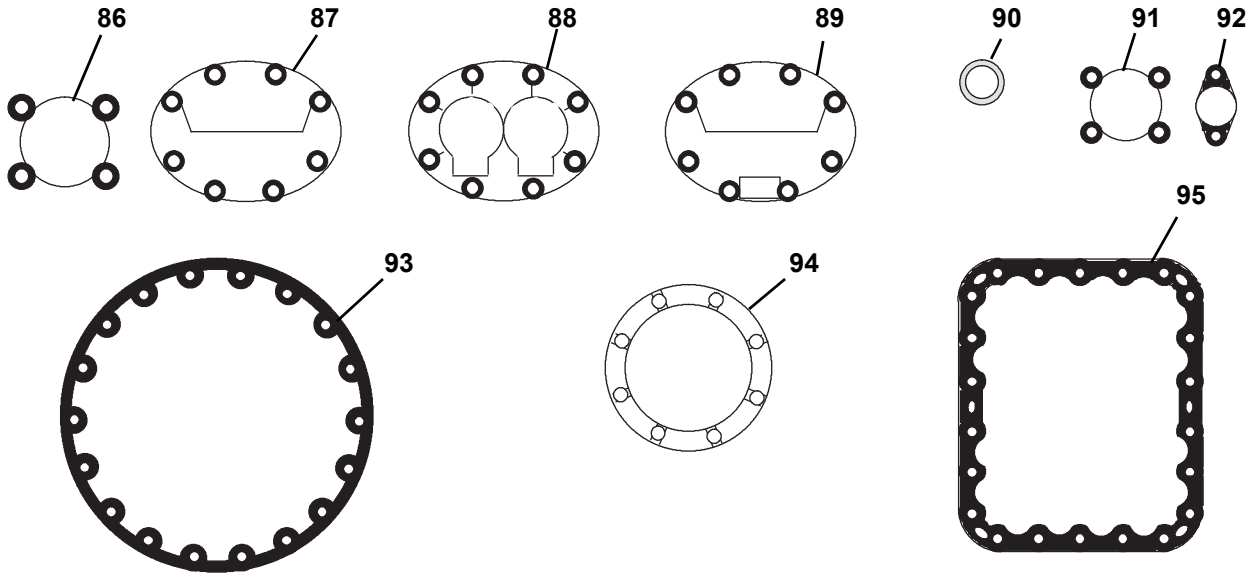
Valve Plate Group

74	17-44109-00	Package, Valve Plate Assembly (All Banks - Canted) - Includes:	3
NS	NSS	Plate Assembly, Valve - Includes:	1
75	NSS	Plate, Valve	1
76	17-40086-00	Valve, Discharge	2
77	17-44160-00	Backer, Discharge Valve Stop	2
78	17-44113-00	Screw, Hex Head, 1/4- 28 x 3/8 lg.	4
79	17-10715-00	Washer, Lock, 1/4	4
80	17-40082-00	Valve, Suction	2

36 COMPRESSOR ASSEMBLY (SHEET 5 OF 6)

81	17-40083-00	Spring, Suction Valve Positioning	2
82	17-44124-00	Gasket, Cylinder Head (Side Bank) - Coated Steel	1
83	17-44123-00	Gasket, Cylinder Head (Center Bank) - Coated Steel	1
84	17-55002-00	Gasket, Valve Plate	1
85	17-40057-00	Pin, Dowel (Valve Plate)	12

Gasket Set



-	17-55020-21	Gasket Set - Includes:	1
86	17-40005-05	Gasket, Suction Service Valve (4 Bolt)	1
87	17-44124-00	Gasket, Cylinder Head - Side Bank (Standard)	2
88	17-55002-00	Gasket, Valve Plate	3
89	17-44123-00	Gasket, Cylinder Head - Center Bank	1
90	17-44021-00	Gasket, Sight Glass	2
91	17-40075-05	Gasket, Oil Pump Cover	2
92	17-10811-05	Gasket, Service Valve (2 Bolt)	2
93	17-40033-05	Gasket, Bottom Plate	2
94	17-44022-00	Gasket, Pump End Bearing Head	1
95	17-40029-05	Gasket, Motor End Cover	1

Tools

	07-00013-00	Temperature Tester (Simpson Meter)	
	07-00013-01	Temperature Test Lead (15 Foot)	
	07-00013-02	Temperature Test Lead (50 Foot)	
	07-00013-03	Adapter, Male (Both Ends) (Use with Temperature Tester)	

36 COMPRESSOR ASSEMBLY (SHEET 6 OF 6)

07-00015-00	Case, Carrying (Used with 07- 00013- 00)	
07-00450-00	Wrench, Compressor Sight Glass	
07-00437-00	Inspection Light with Mirror	
07-00228-00	Volt-Ohmmeter, Digital	
07-00229-00	Amprobe Clamp (Used with 07- 00228- 00)	
07-00238-00	Wrench, Service Valve	
07-00243-10	Multimeter, Digital (Fluke)	
07-00263-00	Pliers, Crimping (Used for compressor terminal block replacement)	
07-00264-00	Grip, Wire Vise (Used for compressor terminal block replacement)	
07-00277-00	Kit, Static Dissipative (Used for working on electronic components)	
07-00304-00	Ground Strap, Wrist (Used for working on electronic components)	
07-00294-00	Gauge Set, Manifold - Fahrenheit/PSI	
07-00294-05	Gauge Set, Manifold - Centigrade/KPa	
07-00295-00	Detector, Leak	
07-00397-03	Extractor, Pin (Used on Fan Motor Plugs and Interrogator Plugs)	
07-00397-02	Crimper, Pin (Used on Fan Motor Plugs and Interrogator Plugs)	
07-00329-00	Extractor, Pin (Used on Controller module connectors)	
07-00330-00	Crimper, Pin (Used on Controller module connectors)	
07-00370-00	Crimper, Pin (Used on Stepper Valve, HPS)	
07-00387-00	Extractor, Pin (Used on Stepper Valve, HPS)	
07-00375-00	Tester, Portable, Stepper Motor Drive	
07-00391-00	Application Gun (Used with 07- 00390- 00)	
07-00398-00	Software Card Programmer	
07-00408-00	Stepper Jumper Assembly	
07-00418-00	Torx Driver Bit	
Refer to Manual 62-03213		

INDEX

Numerics

07-00013-00	88	12-00474-01	54
07-00013-01	88	12-00495-00	82
07-00013-02	88	12-00495-01	82
07-00013-03	88	12-00500-00	82
07-00015-00	89	12-00594	44
07-00228-00	89	12-00615	45
07-00229-00	89	12-50089-00	71
07-00238-00	89	12-55008	44
07-00243-10	89	14-00206-00	29, 85
07-00263-00	89	14-00206-01	29, 85
07-00264-00	89	14-00212-06	32
07-00277-00	89	14-00220-04	33
07-00292-00	85	14-00221-04	33
07-00294-00	89	14-00222-02	32
07-00294-05	89	14-00273-08	59
07-00295-00	89	14-00284-20	32
07-00304-00	89	14-00341-04	32
07-00329-00	89	14-00353-04	29
07-00330-00	89	14-00353-20	29
07-00370-00	89	17	88
07-00375-00	89	17-10715-00	87
07-00387-00	89	17-10811-05	85, 88
07-00391-00	89	17-10812-00	85
07-00397-02	89	17-20004-00	86
07-00397-03	89	17-20005-00	86
07-00398-00	89	17-21040-00	86
07-00408-00	89	17-21062-00	86
07-00418-00	89	17-21063-00	86
07-00437-00	89	17-21075-00	87
07-00450-00	89	17-21076-00	87
09-00375-00	45	17-21077-00	87
10-00083-06	53, 54	17-21201-00SV	86
10-00083-07	53, 54	17-40005-05	88
10-00083-08	53, 54	17-40007-00	86
10-00332-21SV	74	17-40013-00	85
10-00431-11	74	17-40016-01	86
10-00439-02	74	17-40018-05	86
10-00446-01	42	17-40019-00	87
10-01129-05	45	17-40020-00	86
10-01129-11	45, 81	17-40025-00	86
10-01129-12	45	17-40029-05	86, 88
10-01129-15	42	17-40032-00	86
10-01129-20	42, 69	17-40033-05	86, 88
12-00170-08	82	17-40034-05	86
12-00352-00	32	17-40037-05	86, 87
12-00395-02	82	17-40042-00	86
12-00433-03RP	47	17-40048-00	87
		17-40050-00	87
		17-40052-00	87

17-40053-00	87	22-01613-15	71
17-40055-00	87	22-01614-06	83
17-40056-02	87	22-01622-01	80
17-40057-00	87, 88	22-01622-03	80
17-40075-05	85, 88	22-01660-00	83
17-40082-00	87	22-01660-02	71
17-40083-00	88	22-01660-03	67, 82, 83
17-40086-00	87	22-01660-05	67, 71
17-40093-05	85	22-01679-00	51, 52, 53
17-40093-06	85	22-01713-49	47
17-40411-00	87	22-01733-01	21
17-44021-00	86, 88	22-01735-00	80
17-44022-00	87, 88	22-01777-00	83
17-44037-00	87	22-01777-01	83
17-44109-00	87	22-01777-02	83
17-44113-00	87	22-01777-03	83
17-44115-01	87	22-01777-04	83
17-44115-20	87	22-01777-06	83
17-44123-00	86, 88	22-01777-07	83
17-44124-00	86, 88	22-01778-00	51
17-44128-00	85	22-01879-33	22
17-44129-00	86	22-01879-68	22
17-44136-00	86	22-01997-06	79, 80
17-44137-00	87	22-01997-08	79, 80
17-44139-00	87	22-01997-11	80
17-44160-00	87	22-01997-12	80
17-44763-00	86	22-01997-13	80
17-55002-00	88	22-01997-14	80
17-55008-00	87	22-01997-20	79, 80
17-55009-01	87	22-01997-21	79
17-55020-21	88	22-01997-22	80
17-55023-00	87	22-02205-00	67, 71
17-55025-00	87	22-02302-03	74, 85
18-00055-20SV	85	22-02319-05	52, 53
22-00049-01	69	22-02319-06	52, 53
22-00518-01	69	22-02324-09	80
22-00519-01	69	22-02336-02	44
22-01292-02	74	22-02336-04	42
22-01455-03	42	22-02336-08	44
22-01556-00	70	22-02341-01	69
22-01556-01	80	22-02378-00	22
22-01556-02	80	22-02392-00	82
22-01556-04	80	22-02393-01	83
22-01556-06	80	22-02394-00	83
22-01566-01	82, 83	22-02394-02	82, 83
22-01585-04	82, 83	22-04031-00	80
22-01602-02	21	22-04031-01	83
22-01602-03	21	22-04032-00	81, 83
22-01604-00	69	22-04043-00	77
22-01613-12	83	22-04044-00	77
22-01613-14	82	22-04044-01	77

22-04248-00	83	34-01150-31	15
22-50127-00	71	34-01167-01	26
22-66651-00	22	34-01178-22	42, 74, 77
22-66691-06	82	34-01178-23	42
24- 66603- 00	55	34-01181-01	51, 52, 53
24-02019-02	77	34-06053-00	9, 21, 32, 38, 42, 51, 64, 77
30-00407-02SV	45	34-06053-01	77
34- 00655- 10	55	34-06053-02	35, 51, 52, 53, 77
34- 00663- 11	55	34-06053-03	19, 26, 29, 42, 77
34-00928-07	68	34-06053-05	10, 27, 32, 51, 52, 53, 85
34-06053-00	22, 47, 68	34-06053-07	77
34-06053-05	47	34-06053-10	51, 52, 53
34-06107-00	47	34-06053-13	11, 74
34-06139-04	48	34-06053-15	9
34-06169-00	47	34-06053-18	9, 12
34-00373-07	32	34-06053-19	12
34-00373-51	59	34-06124-00	64
34-00373-54	32	34-06136-01	52, 53
34-00373-59	59	34-06136-02	52, 53, 54
34-00655-04	16, 32, 74	34-06139-00	67
34-00655-08	11, 74, 77	34-06139-01	67
34-00655-10	19, 64	34-06139-04	67
34-00655-12	55, 64	34-06142-00	67, 71
34-00662-11	77	34-06154-00	11
34-00663-07	74	34-06154-03	21
34-00663-09	74	34-06185-01	12
34-00663-11	59	34-06212-12	11
34-00667-05	69	34-06212-17	12
34-00667-09	19	34-06221-00	54
34-00667-11	19, 51, 52, 53, 77	34-06269-12	59, 65
34-00667-12	35, 51, 52, 53	34-66627-00	12
34-00667-14	77	34-66644-00	12
34-00792-07	9	38-00620-01	35
34-00795-09	51	40-00520-00	85
34-00848-10	69	40-00520-01	32, 86
34-00849-22	77	40-00520-02	29, 85
34-00928-01	19	40-00520-03	29, 86
34-00928-02	51, 52	40-00523-00	85
34-00928-04	15, 42	40-00523-01	86
34-00928-07	9, 64	40-00542-00	29
34-00928-09	9, 32, 59, 64	40-00542-01	29
34-00928-13	27	40-00640-00	38
34-00928-20	9, 15, 21, 38, 42, 67	40-66620-03	32
34-00928-21	64	42-00741-00	47
34-01110-00	87	42-00032-11	29
34-01121-00	10	42-00032-12	29
34-01142-01	19	42-00032-13	32
34-01150-03	15	42-00032-14	59
34-01150-04	15	42-00032-15	59
34-01150-06	15	42-00065-01	10
34-01150-30	15	42-00174-110	15, 16

42-00174-111	15, 16	56-09183-00	59
42-00174-116	15	56-09184-00	59
42-00174-117	16	56-09185-00	59
42-00174-118	16	56-66743-00	29
42-00174-119	16	58-04101-00	47
42-00174-120	16	58-04101-02	47
42-00174-121	16	58-04366-00	47
42-00174-34	15	58-04954-00	47
42-00237-12	59	58-00065-10	59
42-00296-01	11, 12	58-00065-46	59
42-00327-00	11, 12	58-00065-56	59
42-00328-00	51, 52, 53	58-00065-84	38
42-00334-00	15	58-00065-93	74
42-00366-00	52	58-00616-00	20
42-00407-00	13	58-00701-03	19
42-00425-116	29	58-00848-13	74
42-00425-128	29	58-00906-24	42
42-00425-129	29	58-00967-00	19, 74
42-00465-01	33	58-00969-00	12, 42, 74
42-00471-01	54	58-01094-02	10
42-00570-00	65	58-01097-00	67
42-00784-00	32, 33	58-01184-00	44
42-00784-01	32, 33	58-01231-00	10
42-00784-02	32, 33	58-04001-01	27
42-00784-03	32, 33	58-04001-02	27
42-66644-00	29	58-04026-07	51
44-00477-00	47	58-04026-108	32
44-00361-00	42, 74	58-04026-112	32
44-00370-03	32, 59, 77	58-04026-113	35
44-00370-08	59	58-04026-17	51, 52, 53
44-00370-10	59	58-04026-23	32
44-00391-00	47	58-04026-25	51, 52, 53
44-00401-00	26	58-04026-32	19
44-00409-00	27	58-04026-52	32
44-00473-00	67	58-04246-00	74
44-01041-04	42	58-04246-02	65
44-66608-01	65	58-04273-00	42, 74
48-66623-00	67	58-04276-00	42
54-00655-20	35	58-04279-00	42
56-07323-00	59	58-04290-01	21
56-08348-00	59	58-04302-01	21
56-08954-00	32	58-04315-00	42
56-08955-00	32	58-04316-00	10, 42, 47
56-08969-00	29	58-04321-24	42
56-09024-00	29	58-04376-03	13
56-09029-00	59	58-04378-01	11
56-09031-00	59	58-04480-00	9
56-09032-00	65	58-04497-01	38
56-09146-00	32	58-04499-00	9
56-09147-00	59	58-04664-00	59
56-09149-00	32	58-04680-00	19

58-04910-00	32	66U-1-3882	10, 29, 33, 42, 74
58-04910-01	32	66U1-3882	47, 71
58-04910-02	32, 33	66U-1-3882-2	42
58-04910-03	33	66-U-1-3882-3	29
58-04910-04	33	66U-1-3882-3	42, 59
58-04910-05	33	66U-1-5321-13	13
58-04910-06	9	66U1-5321-2	77
58-04910-07	9	66U-1-5321-3	9, 19, 59, 65
58-04910-09	19	66U1-5321-3	16, 32, 51, 52, 53
58-04935-00	65	66U1-5321-5	76
58-04960-00	47	66U-1-5321-6	69
58-04968-00	65	66U-1-5321-7	9, 19, 33, 42, 74
58-04980-00SV	35	66U1-5321-7	21, 26, 38, 51, 77
58-04990-00	65	66U-1-5321-8	19, 33, 42, 74
62-02719-00	44	66U1-5321-8	26, 38, 47, 51, 52, 53, 70, 77, 85
62-10783-03	42		
62-10911-00	19	66U-1-5331	9
62-11270-20	42	66U1-5331-3	26
62-11275-00	71	66-U---1--5361	35
62-11276-00	10	66U1-5361-11	77
62-11729-00	71	66-U---1--5361-25	35
62-11731-02	69	66U-1-5361-25	10, 33, 42, 59, 65
62-11731-03	69	66U1-5361-25	26, 38, 51, 77
62-11746-00	59	66U-1-5361-46	29
62-66096-02	42	66U1-5361-46	85
62-66096-03	42	66U-1-5361-47	65
65-00144-00	59	66U1-5361-7	76
65-00206-00	33	66-U---1--5371-14	42
66-1-5362-2	13	66U-1-5371-6	29, 33, 42
66CH-1-1002-33	13	66U1-5371-6	38, 47, 51, 52, 53, 77
66CH-1-1012-59	59	66U-1-5371-7	10, 19, 43, 74
66CH-1-1172-2	12	66U1-5371-7	44, 47, 51, 52, 53, 70, 71, 85
66CH-1-1172-28	74	66U-1-5381-1	59
66CH-1-1172-32	74	66U-1-5381-4	59
66CH-1-1172-43	74	66U1-5562-12	20, 21, 38
66NS1201CD0020	74	66U-1-5562-2	13, 65
66U1- 5321- 3	55	66U1-5562-2	11, 20
66U1-2403-1	47	66-U---1--5562-7	19
66U1-5361-25	22, 35, 68	66U-1-5562-7	19
66U1-6811-8	47	66U1-5562-7	85
66U-1-1571-3	59	66U-1-6651-19	74
66-U---1--2403	15, 67	66U1-6651-24	83
66U1-2403	15, 26	66-U---1--7842-12	74
66U-1-2583-43	12	66U-1-7842-6	74
66U1-2593-4	15	66U-1-7842-7	74
66U1-2603	26	66U-1-8292-1	12
66U1-2803-11	15	66U-1-8662	10
66-U-1-3632-20	29	66-U---1--9592-13	19
66U-1-3803	74	66U-1-9592-13	19
66-U---1--3882	67	66U-1-9752	69
66U-1--3882	59	66U-2-1132-2	12

66U2-1531-1	53, 54	68-17201-00	65
66U2-1531-3	51, 52, 53	68-17290-00	33
66U-2552-185	13	68-17290-03	33
68- 16894- 00	55	68-17293-00	15
68-12821-00	22, 68	68-17293-03	16
68-16063-00	22	68-17294-03	65
68-17298-00	48	68-17336-00	15
68-11989-00	11	68-17336-01	15
68-12432-00	77	68-17337-00	15
68-12432-01	77	68-17338-00	15
68-12432-02	77	68-17344-02	10
68-12432-03	77	68-17345-00	65
68-12523-00	77	68-17405-00	74
68-12933-00	13	68-17420-00	38
68-12940-00	13	68-17719-00	15
68-12993-00	77	68-17720-00	16
68-13707-02	26	68-86230-00	19
68-13832-00	52	68-86249-00	65
68-13961-00	53, 54	68-86250-00	65
68-14029-00	10	68-86255-00	26
68-14124-01	16	68-86259-00	67
68-14456-02	51	69NT20-2083	85
68-14739-00	38	69NT20-513-1SV	85
68-15015-00	60	69NT20-513SV	85
68-16521-00	10	69NT35-1076	53, 54
68-16665-00	65	69NT35-1076-1	53, 54
68-16695-00	10	69NT35-2086	51, 52, 53
68-16704-01	65	69NT35-2692	15, 44
68-16715-00	60	69NT-35-2692-1	43, 65
68-16735-00	47	69NT35-2692-1	35, 55
68-16764-00	65	69NT--35--2692-4	74
68-16817-00	65	69NT35-2692-4	70
68-16823-00	33	69NT35-3286-1	15
68-16864-00	33	69NT35-3296	15
68-16893-00	60	69NT--35--3452	35
68-17023-00	71	69NT--35--3452-1	35
68-17037-00	10	69NT--35--3452-2	35
68-17037-01	10	69NT--35--3452-3	35
68-17044-00SV	10	69NT35-5992	26
68-17089-00	60	69NT35-6132	76
68-17118-00	10	69NT35-636-1	71
68-17127-00	65	69NT35-7662-4	15
68-17129-03	10	69NT-35-8113	10
68-17145-00	65	69NT35-8258	21
68-17154-00	65	69NT-35-8284	77
68-17175-00	16	69NT--35--9073-1	74
68-17185-00	32	69NT-40-476	65
68-17188-00	10, 65	69NT-40-657-4	10
68-17190-00	60	69NT40-914-4	51, 52, 53
68-17196-00	33	69NT41-892	51, 52, 53
68-17200-00	10	69NT43-270-1	52, 53

69NT43-282	51, 52, 53	86-04956-00	55
69NT43-374	51, 52, 53	86-04994-00	33
69NT-43-420	33	86-05078-00	10
69NT43-469	76	86-66733-00	67
76-00355-00	85	91-00451-26	79
76-00384-00	85	99TS0528CK002000	29
76-00667-07	51, 52, 53	99TS0628CK002500	33
76-00766-00	77	99TS0835CK001200	33
76-50149-00	45		
79-04018-08	47	A	
79-04046-00	47	AA06JA170	51
79-04047-00	48	AD61JA124	85
79-01695-00	12	--AT--39JA-171	19
79-01697-06SV	11	AT39JA171	70
79-04045-00	15	AU11JR241	77
79-04045-03	15	--AU--27JR-131	67
79-04049-00	33	AU27JR131	47
79-04055-03	33	--AU--27JR-171	19, 42
79-04143-01	15	AU27JR171	51, 52, 53, 70
79-66669-00	47		
79-66720-04	19	E	
79-66729-01	16	EC39DM062	32
81-04186-20	60		
81-04203-04	32	M	
81-04203-20	32	--MS51007-4	69
86-04987-02	47		



A part of UTC Building & Industrial Systems, a business unit of United Technologies Corporation. Stock symbol UTX.

Carrier Transicold Division,
Carrier Corporation
P.O. Box 4805
Syracuse, NY 13221 USA

www.carrier.transicold.com