



# Container Refrigeration



## PARTS LIST MANUAL

For

### PrimeLINE

69NT40-561-200 to 299

69NT40-561-500 to 599

### PrimeLINE ONE™

69NT40-565-200 to 299

69NT40-565-500 to 599

Container Refrigeration Units





# PARTS LIST MANUAL

For

## **PrimeLINE**

69NT40-561-200 to 299

69NT40-561-500 to 599

## **PrimeLINE ONE**

69NT40-565-200 to 299

69NT40-565-500 to 599

Container Refrigeration Units





# TABLE OF CONTENTS

PARAGRAPH NUMBER		PAGE
1.1	INTRODUCTION .....	3
1.2	REFRIGERANT .....	3
1.3	CONFIGURATION IDENTIFICATION .....	3
1.4	FEATURE DESCRIPTIONS .....	3
1.5	OPTION DESCRIPTIONS .....	4
1.6	ORDERING INSTRUCTIONS .....	6
1.7	LETTER DESIGNATIONS .....	6
2	AIR EXCHANGE KIT, LOWER, NONE, HANDLE .....	8
3	UPPER FRESH AIR - VPS PANEL .....	10
4	UPPER FRESH AIR - BLANK PANEL .....	12
5	BACK PANEL ASSEMBLY .....	14
6	BOX PREP KIT .....	16
7	BULKHEAD PENETRATION - UPPER AIR EXCHANGE .....	18
8	CABLE ASSEMBLY .....	20
9	CABLE KIT .....	22
10	CABLE RESTRAINT COMPONENTS .....	24
11	COMPRESSOR ASSEMBLY .....	26
12	COMPRESSOR TUBING .....	28
13	CONDENSER .....	30
14	CONDENSER FOR PRIMELINE ONE .....	36
15	CONDENSER FAN AND MOTOR .....	40
16	WATER COOLED CONDENSER OPTION - TUBE-IN-SHELL .....	42
17	WATER COOLED CONDENSER OPTION - BRAZED PLATE .....	43
17	WATER COOLED CONDENSER OPTION - BRAZED PLATE .....	44
18	CONTROLLER KIT .....	46
19	CONTROLLER MODULE SECTION AND SOFTWARE CARDS .....	50
20	CONTROLLER DOOR KIT, LATCH .....	52
21	CONTROLLER DOOR KIT, SCREW .....	56
22	DRAIN .....	58
23	AUTOTRANSFORMER .....	60
24	HEATERS .....	64
25	EVAPORATOR FAN AND MOTOR .....	66
26	EVAPORATOR TUBING AND COIL .....	68
27	FRAME KIT .....	70
28	HUMIDISTAT KIT .....	73
29	INTERROGATOR RECEPTACLE .....	74
30	LABELS AND DECALS .....	75
31	PANEL KIT .....	76
32	REMOTE MONITORING UNIT (RMU) KIT .....	77
33	USDA .....	78
34	VACUUM RELIEF VALVE .....	79
35	WIRING KIT .....	80
36	HIGH VOLTAGE HARNESS .....	84
37	LOW VOLTAGE HARNESS .....	86
38	INTERROGATOR ACCESSORIES - DATALINE / DATAREADER .....	88
39	TOOLS .....	90



# SECTION 1

## INTRODUCTION

### 1.1 INTRODUCTION

The Carrier Transicold PrimeLINE models 69NT40-561-200 to 299 and 69NT40-561-500 to 599 are units of lightweight aluminum frame construction, designed to be bolted on to the front of a container and serve as the container's front wall. Forklift pockets are provided for unit installation and removal.

The Carrier Transicold PrimeLINE ONE™ models 69NT40-565-200 to 299 and 69NT40-565-500 to 599 are units of lightweight aluminum frame construction, designed to be directly installed on-site onto a welded front wall of a container.

PrimeLINE units are self-contained, all electric units, which include cooling and heating systems to provide precise temperature control. The units are supplied with a complete charge of refrigerant and compressor lubricating oil, and are ready for operation upon installation.

The base unit operates on nominal 380/460 volt, 3-phase, 50/60 hertz (Hz) power. An optional autotransformer may be fitted to allow operation on nominal 190/230, 3-phase, 50/60 Hz power. Control system power is provided by a transformer which steps the supply power down to 18 and 24 volts, single phase.

The controller is a Carrier Transicold Micro-Link 3 microprocessor. The controller operates automatically to select cooling, holding or heating as required to maintain the desired set point temperature within very close limits. The unit may also be equipped with an electronic temperature recorder. The controller has a keypad and display for viewing or changing operating parameters. The display is also equipped with lights to indicate various modes of operation.

### 1.2 REFRIGERANT

PrimeLINE models 69NT40-561-200 to 299 and PrimeLINE ONE™ models 69NT40-565-200 to 299 are units designed to only be charged with R-134a refrigerant.

PrimeLINE models 69NT40-561-500 to 599 and PrimeLINE ONE™ models 69NT40-565-500 to 599 are R-513A-ready units. They are supplied with a complete charge of R-134a refrigerant. But, they are capable of being field converted to R-513A refrigerant at a later date as requested by the unit owner. R-513A is an azeotrope blend containing R-1234yf and R-134a. All information in this manual pertaining to R-513A is only applicable to 561-500 to 599 or 565-500 to 599 model units that have either been converted or are being converted to R-513A.

### 1.3 CONFIGURATION IDENTIFICATION

Unit identification information is provided on a plate located on the back wall of the condenser section. The plate provides the unit model number, the unit serial number and the unit parts identification number (PID). The model number identifies the overall unit configuration, while the PID number provides information on specific optional equipment, factory provisioned to allow for field installation of optional equipment and differences in detailed parts.

### 1.4 FEATURE DESCRIPTIONS

#### 1.4.1 Control Box

Units are equipped with an aluminum control box, and may be fitted with a lockable door.

#### 1.4.2 Temperature Readout

The unit is fitted with suction and discharge refrigerant temperature sensors. The sensor readings may be viewed on the controller display.

#### 1.4.3 Pressure Readout

The unit is fitted with evaporator, suction, and discharge pressure transducers. The transducer readings may be viewed on the controller display.

#### 1.4.4 Compressor

The unit is fitted with either an R-134a or an R-513A scroll compressor equipped with suction and discharge service connections. To identify an R-513A-ready compressor in the field, a green dot is located on the top of the compressor on the DUV fitting.

#### **1.4.5 Condenser Coil**

The unit is fitted with a “C” shape condenser coil.

#### **1.4.6 Evaporator**

The evaporator section is equipped with an electronic expansion valve (EEV).

#### **1.4.7 Evaporator Fan Operation**

Units are equipped with three-phase evaporator fan motors. Opening of an evaporator fan internal protector will shut down the unit.

#### **1.4.8 Plate Set**

Each unit is equipped with a tethered set of wiring schematics and wiring diagram plates. The plate sets are ordered using a seven-digit base part number and a two-digit dash number.

### **1.5 OPTION DESCRIPTIONS**

Various options may be factory or field equipped to the base unit. These options are described in the following subparagraphs.

#### **1.5.1 Battery**

The refrigeration controller may be fitted with standard replaceable batteries or a rechargeable battery pack. Rechargeable battery packs may be fitted in the standard location or in a secure location.

#### **1.5.2 Dehumidification**

The unit may be fitted with a humidity sensor. This sensor allows setting of a humidity set point in the controller. In dehumidification mode, the controller will operate to reduce internal container moisture level.

#### **1.5.3 USDA**

The unit may be supplied with fittings for additional temperature probes, which allow recording of USDA Cold Treatment data by the integral DataCORDER function of the Micro-Link refrigeration controller.

#### **1.5.4 Interrogator**

Units that use the DataCORDER function are fitted with interrogator receptacles for connection of equipment to download the recorded data. Two receptacles may be fitted; one is accessible from the front of the container and the other is mounted inside the container (with the USDA receptacles).

#### **1.5.5 Remote Monitoring**

The unit may be fitted with a remote monitoring receptacle. This item allows connection of remote indicators for COOL, DEFROST and IN RANGE. Unless otherwise indicated, the receptacle is mounted at the control box location.

#### **1.5.6 Quest - CCPC**

Compressor Cycle Perishable Cooling (CCPC) is a method of temperature control used during steady-state perishable cooling that cycles the compressor on and off according to supply / return air temperature conditions.

#### **1.5.7 Communications Interface Module**

The unit may be fitted with a communications interface module. The communications interface module is a slave module which allows communication with a master central monitoring station. The module will respond to communication and return information over the main power line. Refer to the ship master system technical manual for further information.

#### **1.5.8 Autotransformer**

An autotransformer may be provided to allow operation on 190/230, 3-phase, 50/60 Hz power. The autotransformer raises the supply voltage to the nominal 380/460 volt power required by the base unit. The autotransformer may also be fitted with an individual circuit breaker for the 230 volt power.

If the unit is equipped with an autotransformer and communications module, the autotransformer will be fitted with a transformer bridge unit (TBU) to assist in communications.

### **1.5.9 Gutters**

Rain gutters may be fitted over the control box and recorder section to divert rain away from the controls.

### **1.5.10 Handles**

The unit may be equipped with handles to facilitate access to stacked containers. These fixed handles are located on either side of the unit.

### **1.5.11 Thermometer Port**

The unit may be fitted with ports in the front of the frame for insertion of a thermometer to measure supply and/or return air temperature. If fitted, the port(s) will require a cap and chain.

### **1.5.12 Water Cooling**

The refrigeration system may be provisioned for a water-cooled condenser. The condenser is constructed using copper nickel tube for sea water applications.

### **1.5.13 Back Panels**

Aluminum back panels may have access doors and/or hinge mounting.

### **1.5.14 460 Volt Cable**

Various power cable and plug designs are available for the main 460 volt supply. The plug options tailor the cables to each customer's requirements.

### **1.5.15 230 Volt Cable**

Units equipped with an autotransformer require an additional power cable for connection to the 230 volt source. Various power cable and plug designs are available. The plug options tailor the cables to each customer's requirements.

### **1.5.16 Cable Restraint**

Various designs are available for storage of the power cables. These options are variations of the compressor section cable guard.

### **1.5.17 Upper Air (Fresh Air Make Up)**

The unit may be fitted with an upper fresh air makeup assembly. The fresh air makeup assembly is available with a vent positioning sensor (VPS) and may also be fitted with screens.

### **1.5.18 Lower Air (Fresh Air Make Up)**

The unit may be fitted with a lower fresh air makeup assembly. The fresh air makeup assembly is available with a vent positioning sensor (VPS) and may also be fitted with screens.

### **1.5.19 Labels**

Safety Instruction and Function Code listing labels differ depending on the options installed. Labels available with additional languages are listed in the parts list.

### **1.5.20 Controller**

Two replacement controllers are available:

1. Re-manufactured - Controller is equivalent of a new OEM controller, supplied with a 12-month warranty.
2. Repaired - Controller has had previous faults repaired and is upgraded with the latest software.

#### **NOTE**

Repaired controllers are NOT to be used for warranty repairs; only full OEM Re-manufactured controllers are to be used.

Controllers will be factory-equipped with the latest version of operational software, but will NOT be configured for a specific model number and will need to be configured at the time of installation or sale.

### **1.5.21 Condenser Grille**

Condenser grilles are direct bolted.

### 1.5.22 Emergency Bypass

The optional Emergency Bypass switch (EB) functions to bypass the controller in the event of controller failure.

### 1.5.23 eAutoFresh

The optional eAutoFresh™ venting system moderates the atmospheric level inside the container unit in response to cargo respiration.

### 1.5.24 XtendFRESH

XtendFRESH™ is an OEM option that helps slow the ripening process by removing ethylene and simultaneously controlling CO<sub>2</sub> and O<sub>2</sub> levels in multiple combinations.

### 1.5.25 TripWise

TripWise™ is a new premium option available for PrimeLINE units. TripWise is software logic that runs in the background during every voyage and will let you know whenever a standard pre-trip inspection (PTI) is needed.

### 1.5.26 FuelWise

FuelWise™ is a power-saving option available for PrimeLINE units. FuelWise software works by dynamically cycling the refrigeration system on and off to save energy while still maintaining temperature within +/- 0.25 degrees Celsius of setpoint on an hourly average.

### 1.5.27 Quest

Quest (Quality and Energy Efficiency in Storage and Transport) power-saving mode available for PrimeLINE units. Quest reduces energy requirements by up to 50 percent while reducing emissions related to power consumption.

## 1.6 ORDERING INSTRUCTIONS

All orders and inquiries for parts must include: Parts Identification Number (**PID**), Model Number, Unit Serial Number, Part Number, Description of part as shown on list and Quantity required.

For orders, go to: [www.transcentral.carrier.com](http://www.transcentral.carrier.com)

For inquiries, email: [carrieraftermarketparts@carrier.utc.com](mailto:carrieraftermarketparts@carrier.utc.com)

## 1.7 LETTER DESIGNATIONS

The following letter designations are used to classify parts throughout this list:

A/R = As Required

N/A = Not Available

NS = Not Shown in illustration

NSS = Not Sold Separately - order next higher assembly or kit

PID = Parts Identification Number - essential to identify unit configuration.

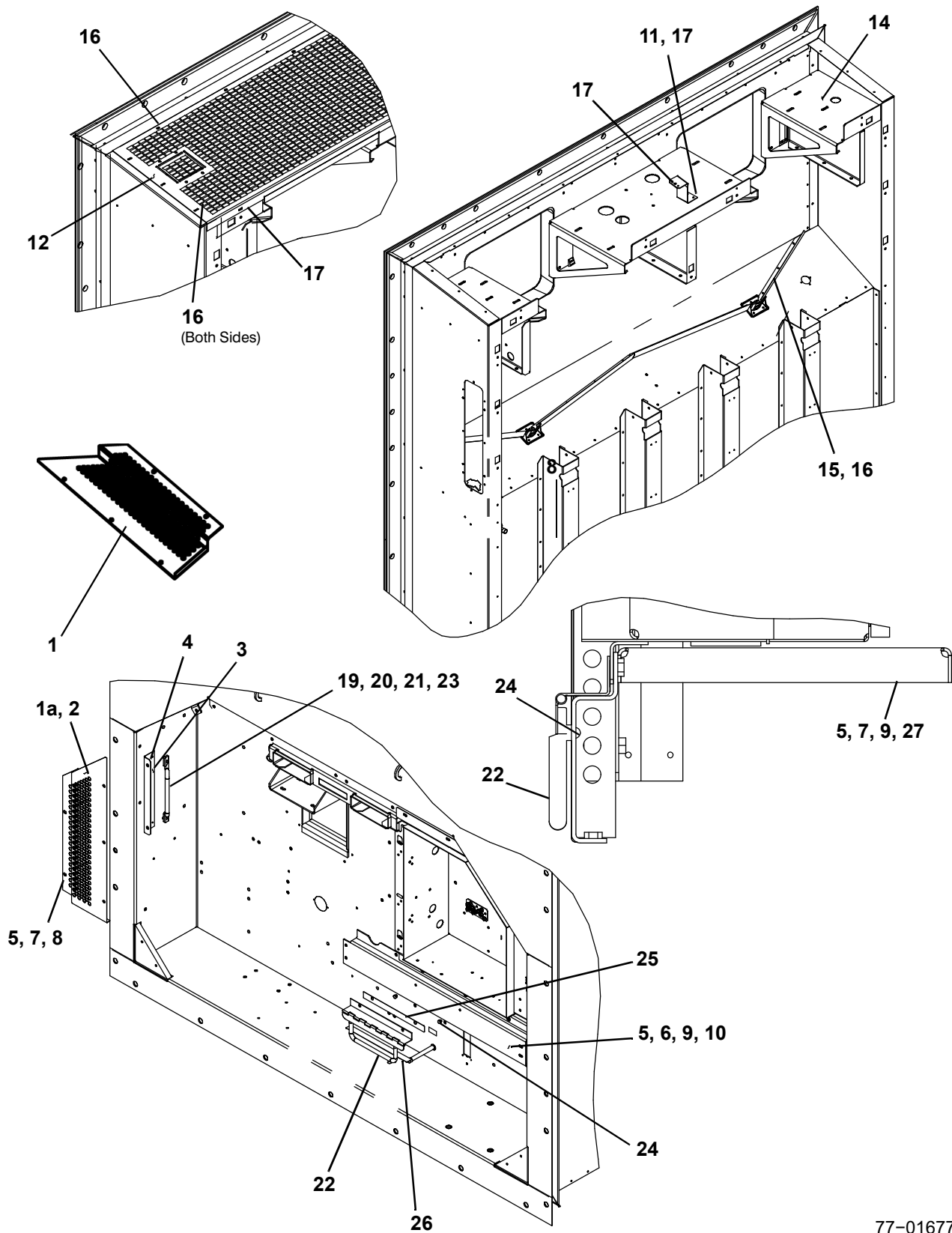
PL = Purchase Locally

SST = Stainless Steel - 300 Series unless otherwise specified.

SV = Suffix SV - added to part number designates service replacement part.



## 2 Air Exchange Kit, Lower, None, Handle



77-01677

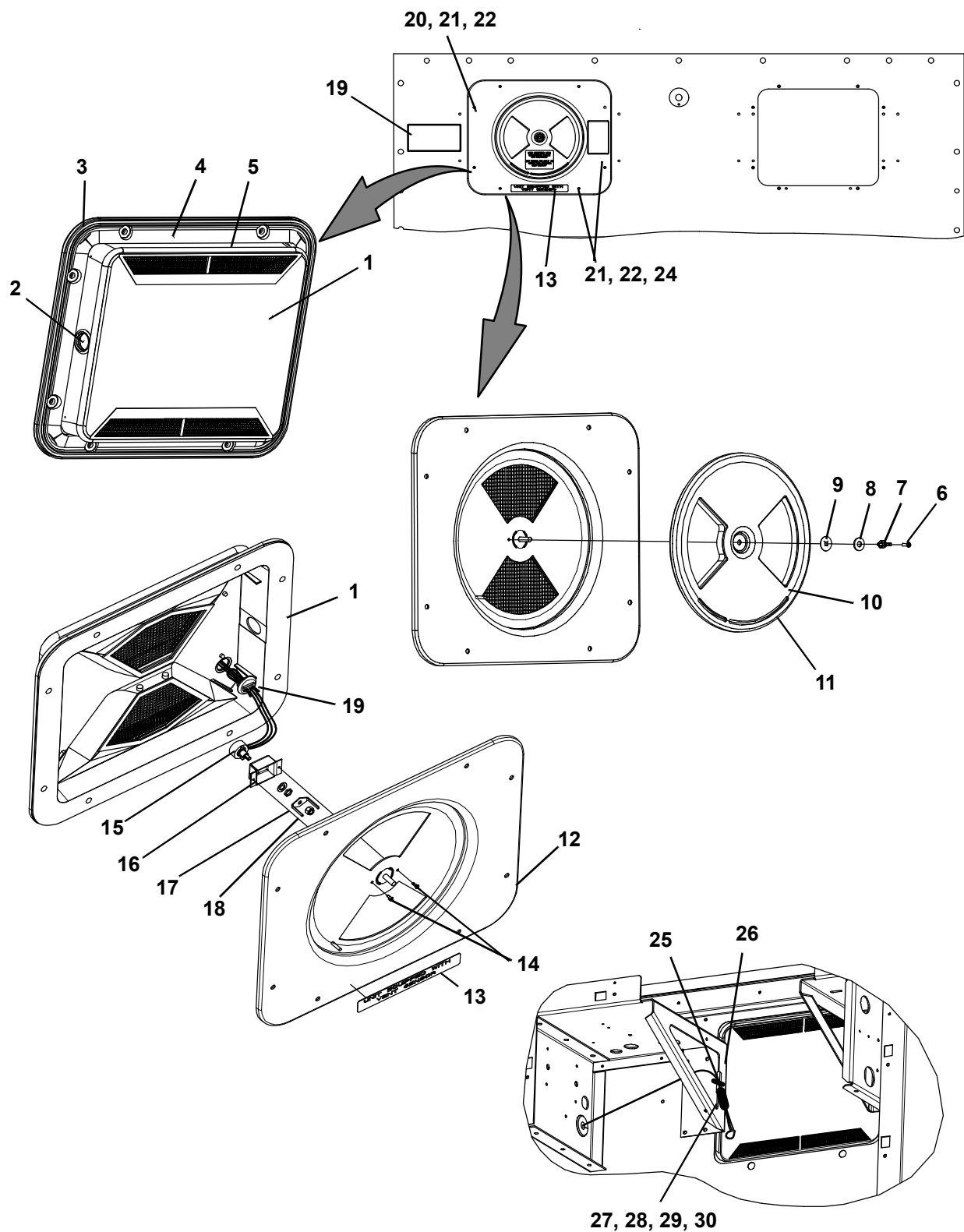


## 2 Air Exchange Kit, Lower, None, Handle

Item	Part Number	Description	Qty
1	68-17044-00	Panel Blue with handles	1
	68-17044-01	Panel White with handles	1
1a	68-17037-00	Panel Blue	1
	68-17037-01	Panel White	1
2	42-00065-01	Gasket (Same for both panels)	1
3	68-17118-00	Bracket	1
4	34-00928-20	Rivet, Blind	2
5	66-U---1--5361-25	Screw, Cap Hex Head 1/4-20 X 0.75	11
6	68-17129-02	Cover	1
7	34-06053-18	Washer, Retaining .250 ID X 1.000 OD	6
8	66-U---1--5321-3	Washer, Plain 1/4 N Type A	5
9	66-U---1--5321-7	Washer, Plain 1/4 W Type A	4
10	34-06053-00	Washer .250 ID X .800 OD	4
11	68-16521-00	Bracket	1
12	68-16695-00	Grille	1
13	68-17344-00	Panel	1
14	68-16697-00	Fan Deck	1
15	68-17188-00	Gutter	1
16	34-00928-07	Rivet, Blind	16
17	34-00928-09	Rivet, Blind	8
18	68-17200-00	Channel	1
19	69NT--35--8113	Handle	1
20	34-00792-07	Screw, Cap Hex Head 5/16-18 X 0.88	2
21	66-U---1--5331	Washer, Lock 5/16 Spring	2
22	69NT--40---657-4	Handle Assembly	1
23	34-06053-15	Washer	2
24	58-04480-00	Bumper, Rubber	2
25	58-04910-06	Protector	1
26	58-04910-07	Protector	1
27	86-05078-00	Bracket	1

77-01677-02

### 3 Upper Fresh Air - VPS Panel



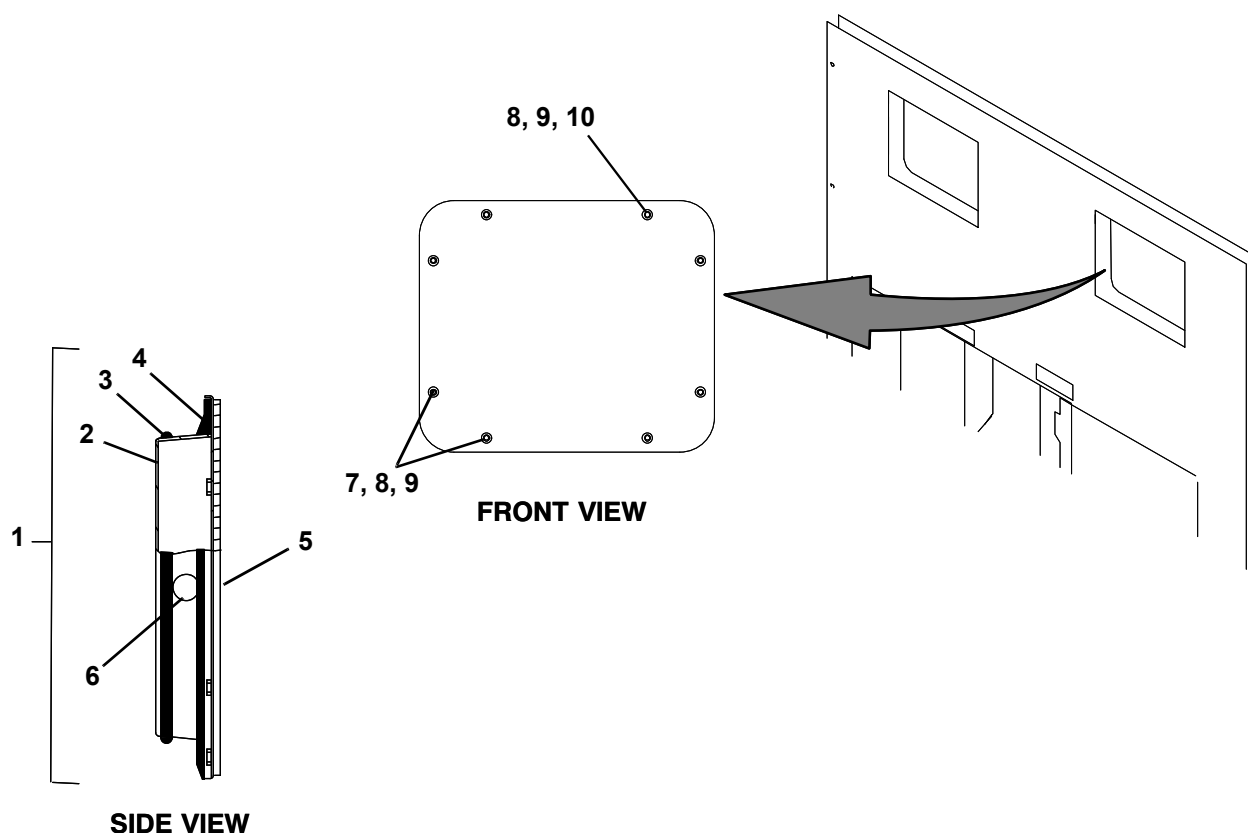
77-01658

### 3 Upper Fresh Air - VPS Panel

Item	Part Number	Description	Qty
1	79-66626-00	Upper Air Panel Assembly, Access, White - Includes:	1
2	66-U---1--5562-2	Plug Button, 1.25 Inch Diameter Hole	1
3	68-12940-05	Cover, Top, Evaporator Access Panel, White	1
4	42-00296-01	Gasket, Evaporator Access Panel	1
5	42-00327-00	Gasket, 0.26 X 0.50 Half-Round	1
6	34-06185-01	Screw, Pan Head, #8-32 X 0.50 with Nylock	1
7	66-U---1--5362-2	Nut, Wing, 5/16-18, SST	1
8	66-U---1--5321-13	Washer, Plain 5/16 W Type A, SST	1
9	34-06053-19	Washer, Mylar 1.00 OD X 0.312 ID	1
10	42-00407-00	Gasket, 0.50 Fresh Air Disc	1
11	68-12933-07	Disc, 12.35 Inch Diameter, White	1
12	58-04376-05	Panel	1
13	62-10930-00	Label VPS	1
	76-66615-00	Upper VPS Sensor Replacement Includes:	1
14	34-00928-20	Rivet	2
	79-66703-00	Sensor Kit Includes:	2
15	12-00603-02	Sensor Rotary Position	2
16	68-14815-00	Bracket, Sensor .063 Thick Aluminum	2
17	68-14903-00	Plate	1
18	34-66622-05	Nut, Self Lock	2
NS	58-66646-00	Plate	2
19	22-66681-00	Wire Harness Resettable Fuse Assembly	2
20	62-66723-00	Label Fresh Air	1
21	34-06053-13	Washer, Mylar, 1/4 ID X 0.80 OD	8
22	34-06212-12	Washer, Flat, 1/4, SST	8
23	34-00655-08	Screw, Hex Head, 1/4-20 X 1.00 Inch Long	6
24	34-06154-00	Screw, Hex Head, 1/4-20 X 1.00 Inch Long - TIR	2
25	66CH---1--1172-2	Trim, Flexible 2.00 Inches Long	1
26	58-00969-00	Wire Tie 2.80 Inch Diameter, Double Loop	1
27	22-01613-10	Plug, 4-Pin	1
28	22-01613-13	Contact, Socket #16	3
29	22-01613-11	Lock, 4-Pin - Secondary	1
30	22-01660-08	Plug, 0.12 Inch Diameter X 0.58	1

77-01658-33

## 4 Upper Fresh Air - Blank Panel



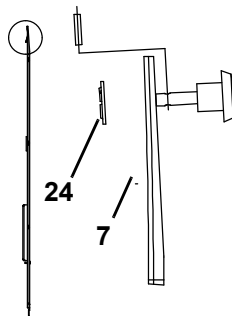
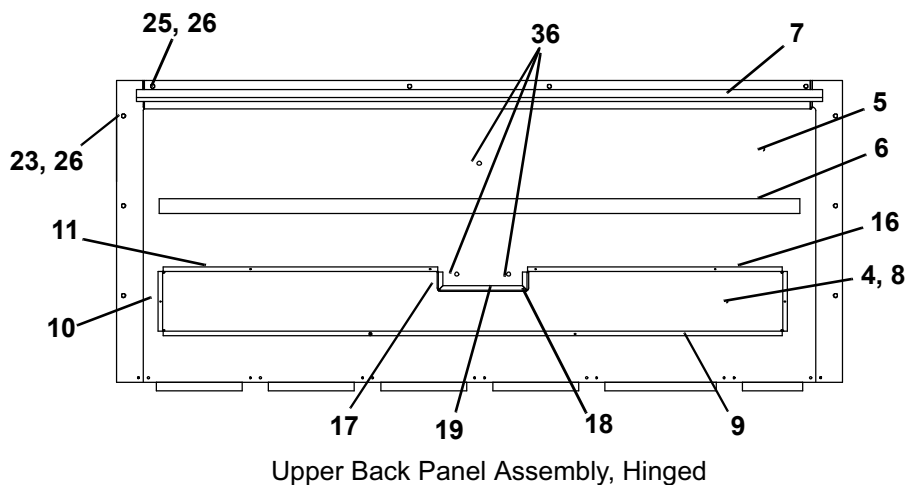
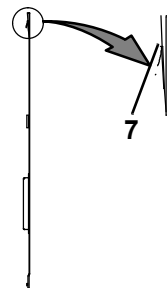
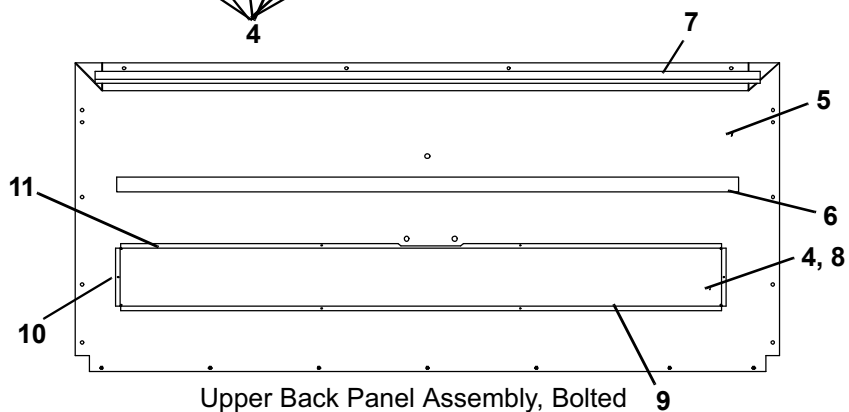
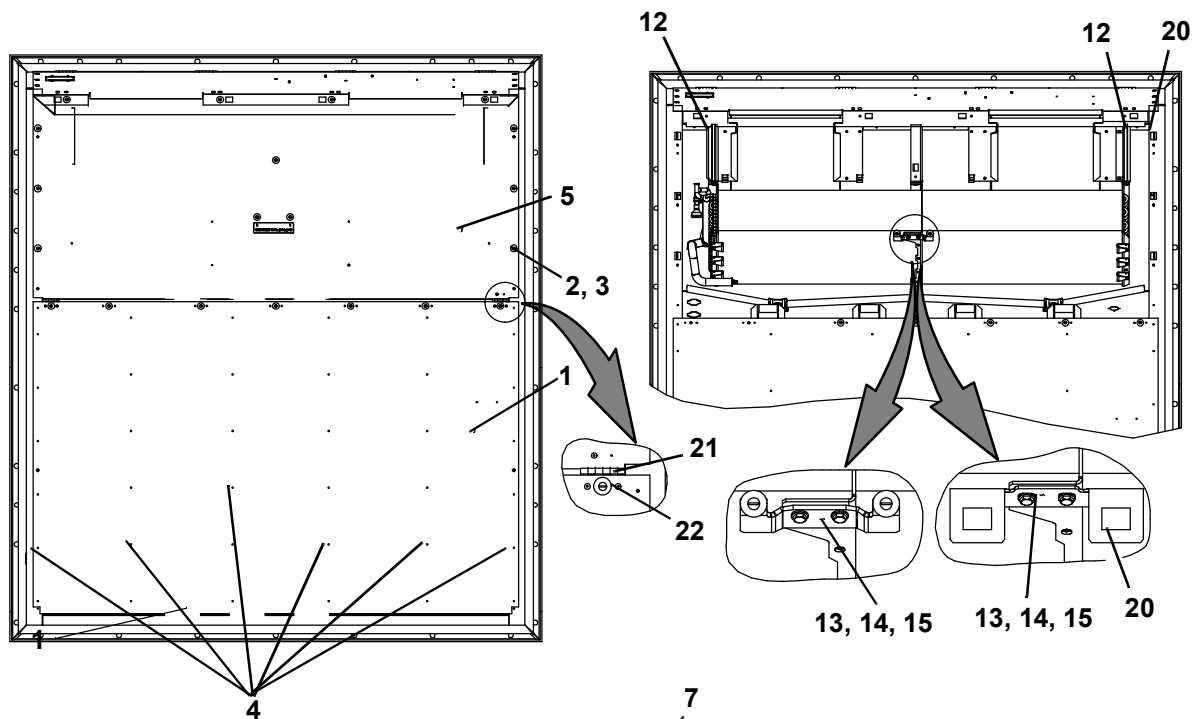
77-01114

Item	Part Number	Description	Qty
1	79-01697-06SV	Panel Assembly, Access, Evaporator, White - Includes:	A/R
2	58-04378-01	Panel, Access	1
3	42-00327-00	Gasket, 0.26 X 0.50 Half-Round	1
4	42-00296-01	Gasket, Evaporator Access Panel	1
5	68-11989-00	Cover, Top, Evaporator Access Panel, White	A/R
6	66-U---1--5562-2	Plug Button	1
7	34-06154-00	Screw, Hex Head, 1/4-20 X 1.00 Inch Long - TIR	A/R
8	34-06053-13	Washer, Mylar	8
9	34-06212-12	Washer, Plain, 1/4	8
10	34-00655-08	Screw, Hex Head, 1/4-20 X 1.00 Inch Long	A/R

77-01114-07



# 5 Back Panel Assembly



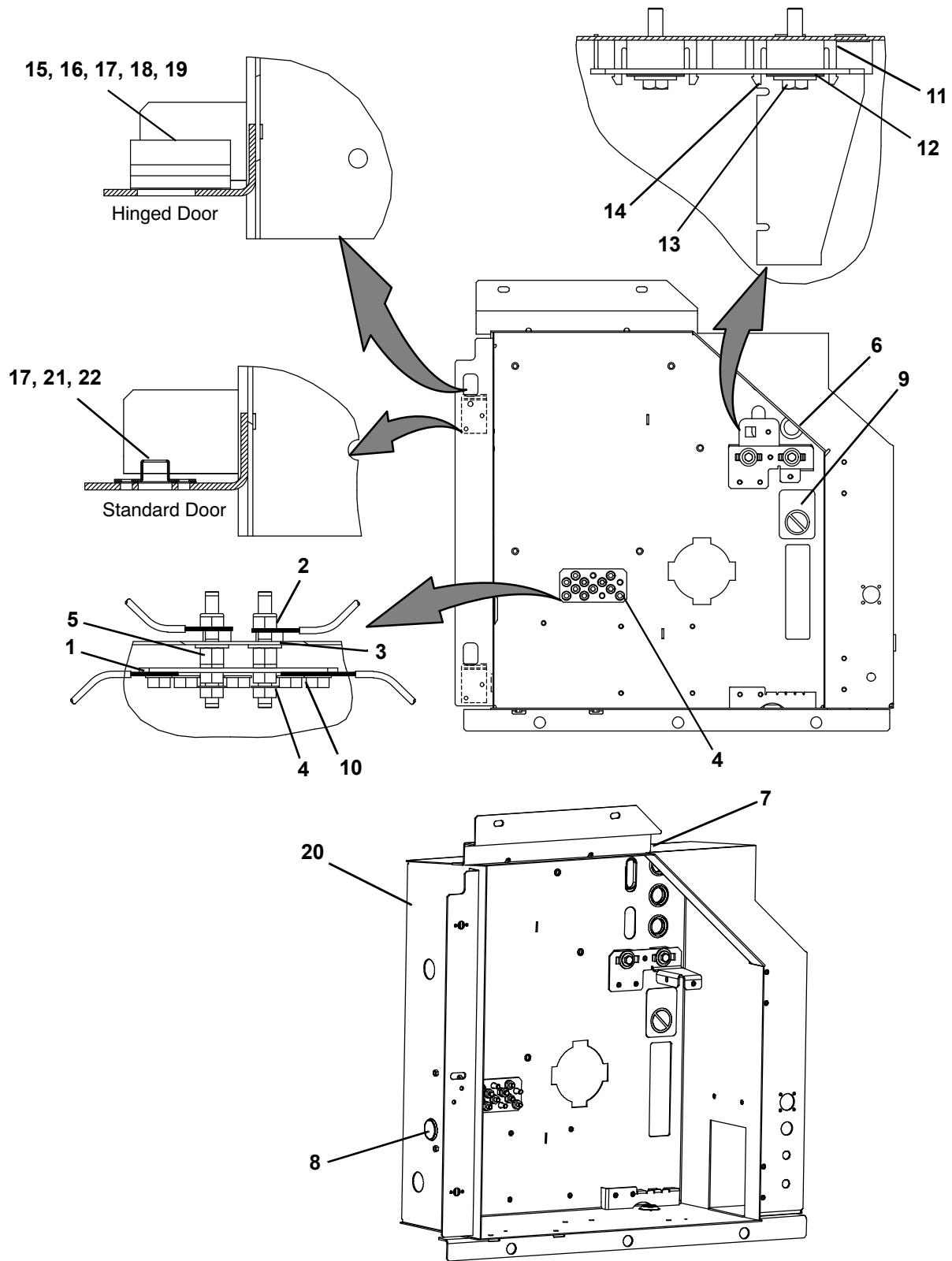
77-01710

## 5 Back Panel Assembly

Item	Part Number	Description	Qty
<b>BACK PANEL BOLTED, ALUMINUM</b>			
1	68-17361-00	Panel, Back	1
2	69NT--35--2692	Washer, Fender #10	20
3	66-U---1--2403	Screw, Machine Trhd #10-24 X 0.500	20
	79-04045-00	Upper Back Panel Assembly Includes:	
4	34-00928-20	Rivet, Blind	6
5	68-17293-00	Panel Assembly, Back	1
6	42-00174-34	Gasket	1
7	42-00334-00	Gasket	1
8	68-17337-00	Shield, Heat	1
9	42-00174-110	Gasket	1
10	42-00174-111	Gasket	2
11	42-00174-116	Gasket	1
12	66-U---1--2593-4	Gasket	2
13	34-00655-04	Screw, Cap Hex Head 1/4-20 X 0.50	2
14	66-U---1--5321-3	Washer, Plain 1/4 N Type A	2
15	68-17175-00	Bracket	1
<b>BACK PANEL HINGED, STAINLESS STEEL</b>			
	79-04045-01	Panel Assembly, Back Stainless Steel Includes:	1
1	68-17361-01	Panel, Back 16 Ga (.063) Stainless Steel	1
4	34-00928-20	Rivet, Blind .125 Diameter .126-.250	46
6	42-00174-34	Gasket	1
7	42-00334-00	Gasket	1
8	86-05077-00	Heat Shield	1
9	42-00174-110	Gasket	1
10	42-00174-111	Gasket	2
11	42-00174-117	Gasket	1
16	42-00174-118	Gasket	1
17	42-00174-119	Gasket	1
18	42-00174-120	Gasket	1
19	42-00174-121	Gasket	1
20	34-01150-31	Receptacle 1/4 Turn Fastener	13
21	69NT--35--3282	Hinge	7
22	34-00928-09	Rivet, Blind .156 Diameter .126-.250	28
12	66-U---1--2593-4	Gasket	2
23	34-01150-03	Stud, Captive .94 1/4 Turn Fastener	6
24	34-01150-30	Washer, Lock 1/4 Turn Fastener	13
25	34-01150-06	Stud, Captive	7
13	34-00655-04	Screw, Cap Hex Head 1/4-20 X 0.50	2
14	66-U---1--5321-3	Washer, Plain 1/4 N Type A	2
15	68-17484-00	Bracket Stainless Steel	1
26	66-U---1--5321-5	Washer, Plain 3/8 N Type A	10
<b>OPTIONS PID NT2712</b>			
1	68-18027-01	Panel, Lower Back	1
5	68-17964-06	Panel, Upper Back	1

77-01710-00, 01

# 6 Box Prep Kit



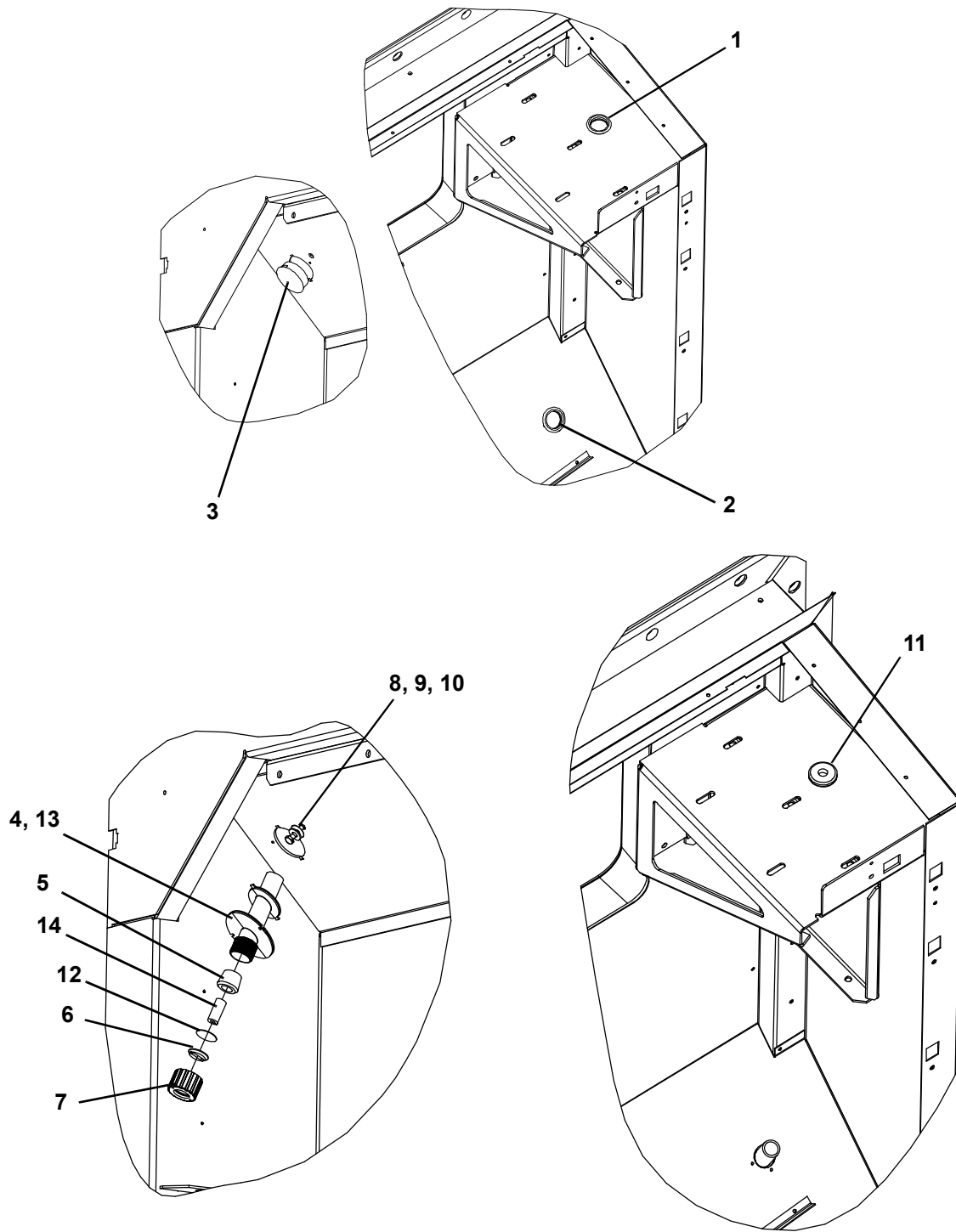
77-01693



## 6 Box Prep Kit

Item	Part Number	Description	Qty
<b>BOX PREP KIT, COMMON PARTS</b>			
1	68-86230-00	Strap Assembly Ground, All Populated	1
2	34-00667-11	Nut, Self Lock	2
3	66-U---1--5321-3	Washer, Plain 1/4 N Type A	2
4	AT39JA171	Nut, Hex	13
5	66-U---1--9592-13	Standoff 1/4-20 X 0.375	2
6	58-00701-03	Plug, Button	3
7	58-04680-00	Plug, Button	1
8	66-U---1--5562-7	Plug, Button	1
9	62-10911-00	Label, Warning MI3 Only !	1
10	AU27JR171	Washer, Lock 1/4	11
11	58-00967-00	Spacer Locking	2
12	66-U---1--5321-7	Washer, Plain 1/4 W Type A	2
13	34-00655-10	Screw, Cap Hex Head 1/4-20 X 1.25	2
14	34-06053-03	Washer .250 ID X 1.000 OD	4
15	68-04910-08	Protector	1
16	34-00667-09	Self Lock Nut	1
<b>BOX PREP KIT, HINGED PARTS</b>			
17	68-17316-00	Keeper	2
18	66-U---1--5371-7	Screw, Machine Hex Head #10-24 X .500	1
19	66-U---1--5321-8	Washer, Plain #10 Type A	1
20	86-05003-00	Control Box	1
<b>BOX PREP KIT, STANDARD PARTS</b>			
17	34-01142-01	Receptacle	2
20	86-05003-00	Control Box	1
21	58-04026-32	Protector	2
22	34-00928-01	Rivet, Blind	2
77-01693-00, 01			

# 7 Bulkhead Penetration - Upper Air Exchange

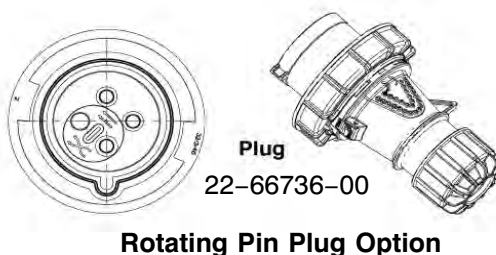
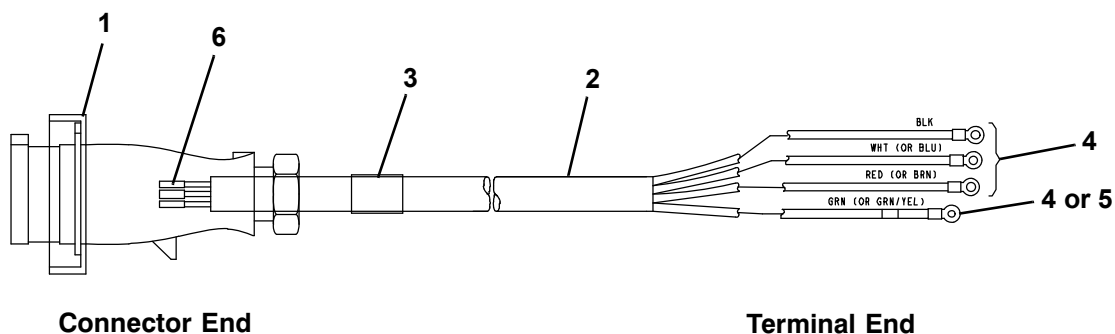


77-01208

## 7 Bulkhead Penetration - Upper Air Exchange

Item	Part Number	Description	Qty
<b>NO RECORDER, NO TRANSFRESH</b>			
1	66-U---1--5562-12	Plug, Button 1.25 Diameter Hole	1
2	66-U---1--5562-2	Plug, Button 1.25 Diameter Hole	1
3	58-00616-00	Plug, Hole 2.00 Diameter X .12	1
<b>RECORDER PROVISION</b>			
4	58-04290-01	Fitting Bulkhead	1
5	22-01602-02	Bushing	1
6	22-01602-03	Ring	1
7	22-01733-01	Nut	1
8	34-06154-03	Screw, Cap Hex Head 1/4-20 X 1.00	1
9	34-06053-00	Washer .250 ID X .800 OD	1
10	66-U---1--5321-7	Washer, Plain 1/4 W Type A	1
11	66-U---1--5562-12	Plug, Button	1
12	69NT--35--8258	Disc	1
13	34-00928-20	Rivet, Blind .1	5
14	58-04302-01	Grommet	1
<b>TRANSFRESH INSTALLED</b>			
4	58-04290-01	Fitting Bulkhead	1
5	22-01602-02	Bushing	1
6	22-01602-03	Ring	1
7	22-01733-01	Nut	1
8	34-06154-03	Screw, Cap Hex Head 1/4-20 X 1.00	1
9	34-06053-00	Washer .250 ID X .800 OD	1
10	66-U---1--5321-7	Washer, Plain 1/4 W Type A	1
11	66-U---1--1571-14	Grommet	1
13	34-00928-20	Rivet, Blind	5
14	58-04302-01	Grommet	1
77-01208-00, 03, 04			

## 8 Cable Assembly



**Rotating Pin Plug Option**

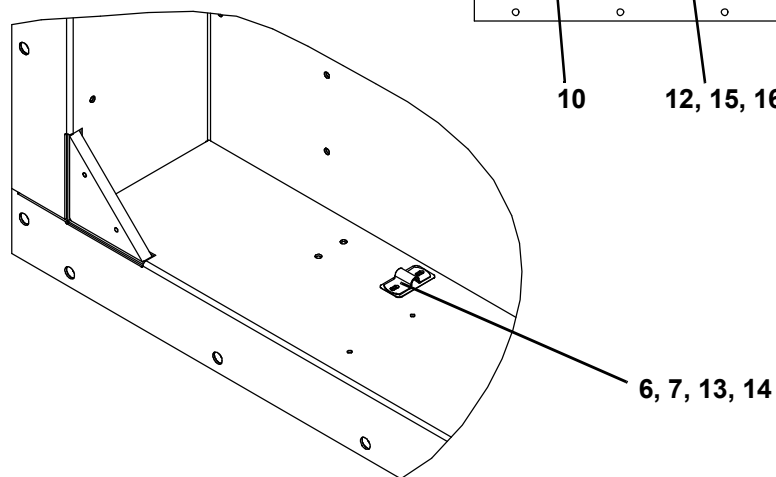
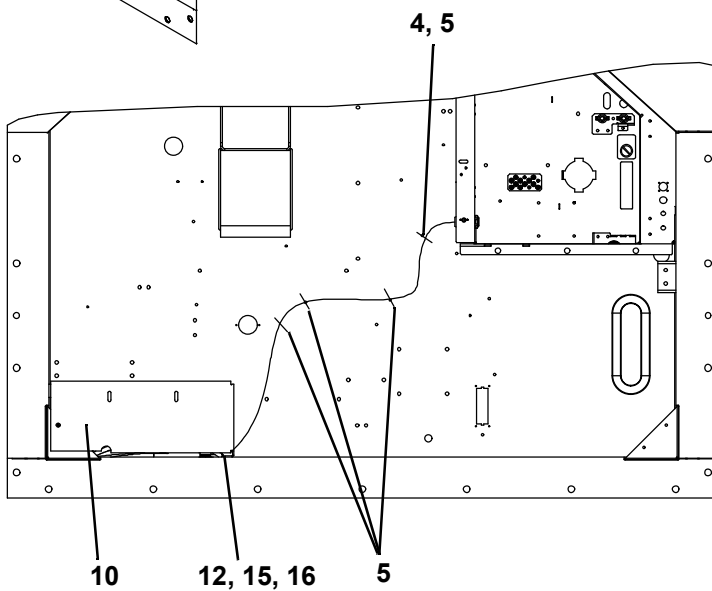
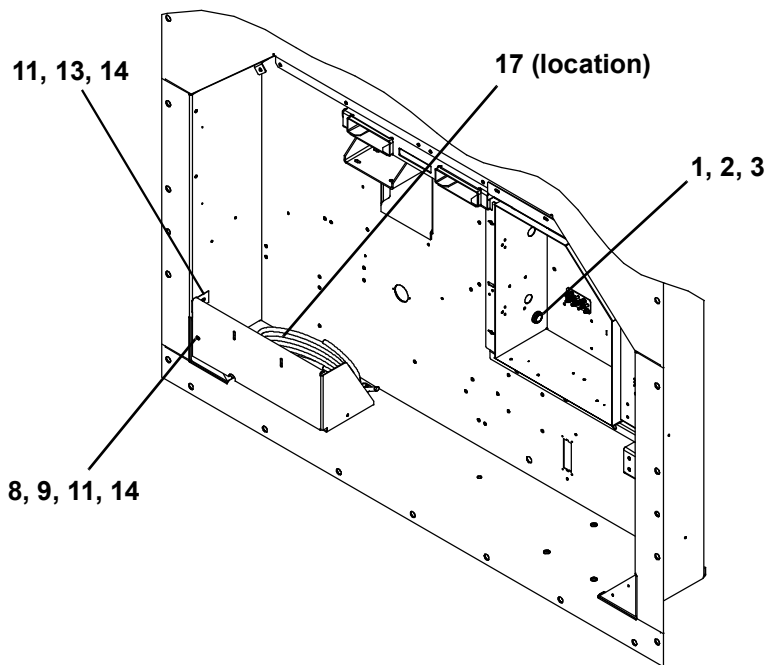
22-01879

Item	Part Number	Description	Qty
<b>460V CABLE ASSEMBLY</b>			
1	22-02378-00	Plug 4 Pole, 440V	1
2	22-66651-12	Cable Transicord Flexline - 6.3 ft	1
	22-66651-10	Cable Transicord Flexline - 67 ft	1
3	66-U---1--2583	Tube, Heat Shrink	1
4	22-00119-03	Terminal	3
5	22-00119-04	Terminal, Ring	1
6	22-02324-01	Bushing	4
<b>230V CABLE ASSEMBLY</b>			
1	66-U---1--6782	Plug	1
2	22-01879-50	Cable Transicord Flexline	1
<b>ROTATING PIN PLUG OPTION</b>			
1	22-66736-00	Rotating Pin Plug	1

22-01879-33, 31, 05



# 9 Cable Kit



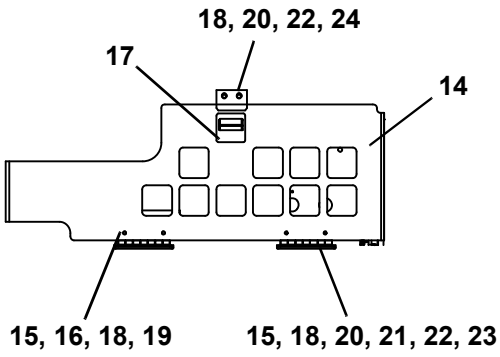
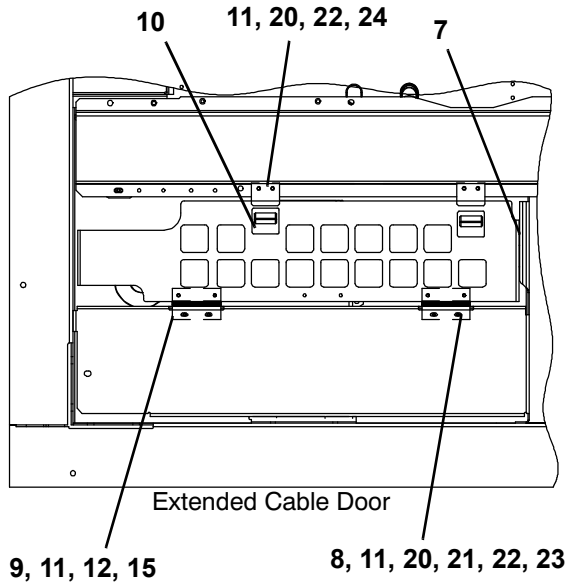
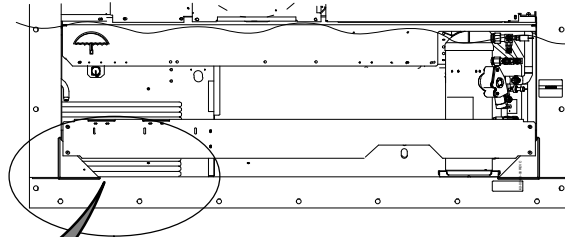
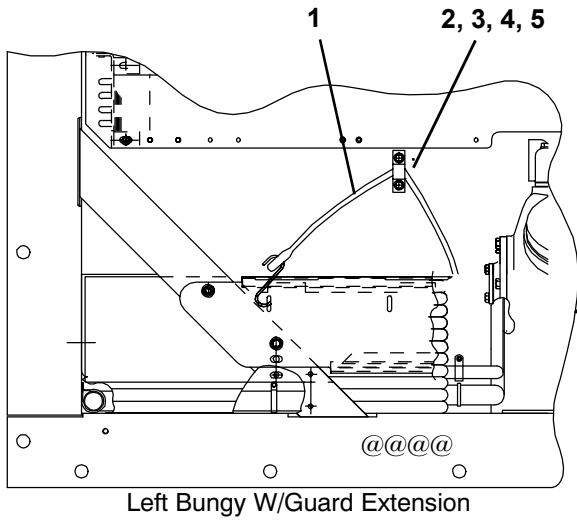
77-01695

**9 Cable Kit**

<b>Item</b>	<b>Part Number</b>	<b>Description</b>	<b>Qty</b>
1	66-U---1--7352-3	Connector Straight, Watertight	1
2	34-06136-01	Nut, Lock 3/4" Npt	1
3	66-U---1--1251-2	O-Ring	1
4	58-04316-00	Base, Mounting	1
5	66-U---1--3882	Wire Tie	3
6	68-14456-01	Cable Clamp Cable Cutter 16 Ga.	1
7	58-04026-07	Protector	1
8	66-U---1--5361-11	Screw, Cap Hex Head 1/4-20 X 1.50	2
9	34-00667-11	Nut, Self Lock	1
10	68-17131-00	Guard	1
11	34-06053-00	Washer .250 ID X .800 OD	10
12	66-U---1--5371-6	Screw, Machine Hex Head #10-24 X 0.750	2
13	66-U---1--5361-25	Screw, Cap Hex Head 1/4-20 X 0.75	8
14	66-U---1--5321-7	Washer, Plain 1/4 W Type A	5
15	66-U---1--5321-8	Washer, Plain #10 Type A	2
16	34-06053-05	Washer	2
17	68-86256-00	Separator (option)	1

77-01695-00, 02

# 10 Cable Restraint Components



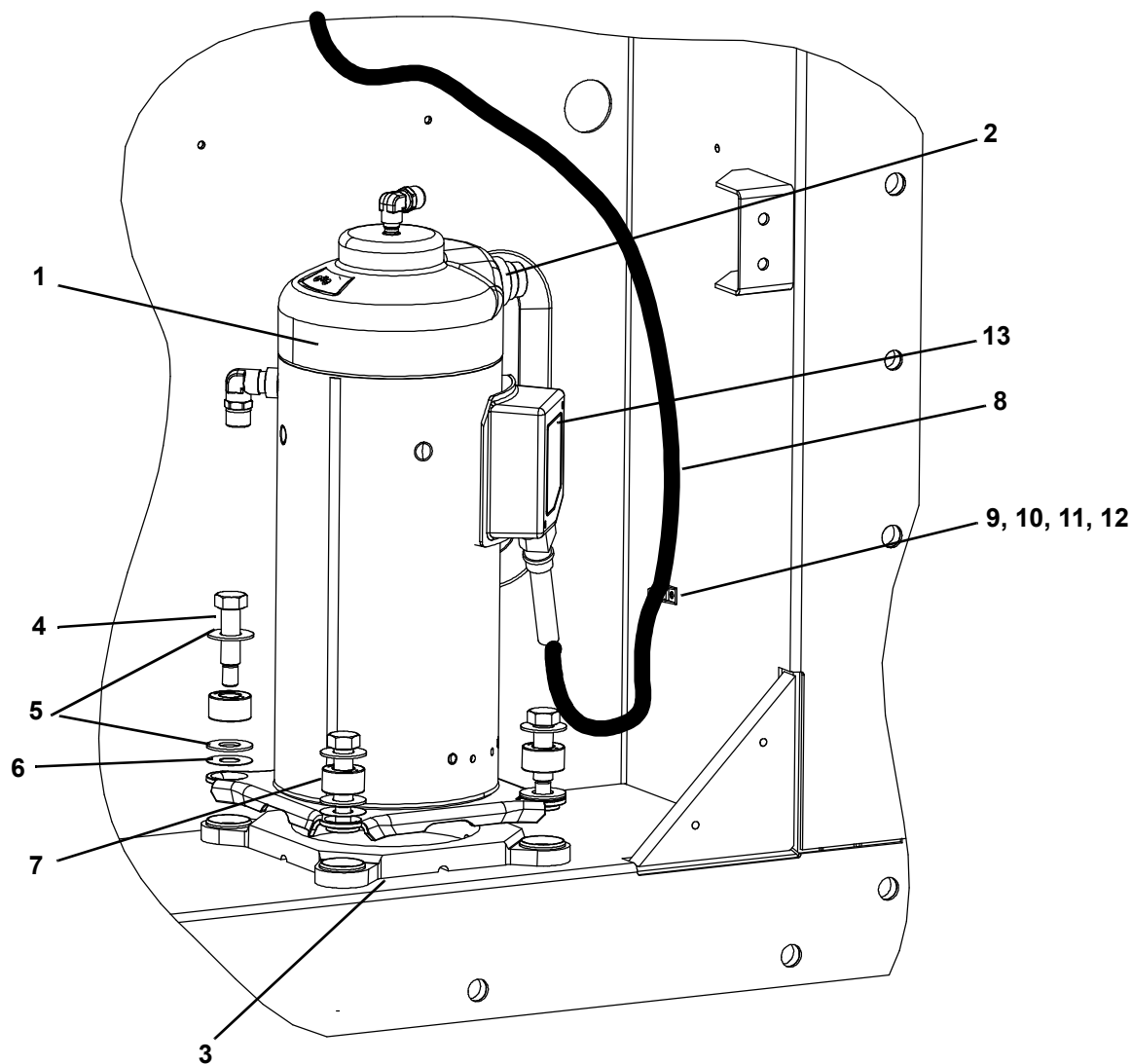
69NT--43---379



## 10 Cable Restraint Components

Item	Part Number	Description	Qty
<b>LEFT BUNGY W/GUARD EXTENSION</b>			
1	66-U---1--5321-7	Washer, Flat, 1/4, SST	2
2	66-U---1--5361-25	Screw, Captive, Hex Head, 1/4-20 X 0.75 Inches Long, SST	2
3	34-06053-03	Washer, Mylar, 0.25 ID X 1.00 OD	2
4	69NT--35--5992	Strap 16 Gage	1
5	66-U---1--2603	Strap, Tie Down	1
<b>EXTENDED CABLE DOOR</b>			
6	79-04071-00	Cable Restraint Includes:	
7	68-86255-00	Cover	1
8	58-04001-01	Protector	2
9	44-00409-00	Hinge	2
10	44-00401-00	Latch, Door	2
11	34-06053-05	Washer 0.205 ID X 0.600 OD	4
12	34-00928-13	Rivet, Blind	4
13	79-04071-01	Cable Restraint Includes:	
14	68-17526-00	Cover	1
15	58-04001-02	Protector	2
16	44-00409-00	Hinge	2
17	44-00401-00	Latch, Door	1
18	34-06053-05	Washer 0.205 ID X 0.600 OD	4
19	34-00928-13	Rivet, Blind	4
20	66-U---1--5321-8	Washer, Plain #10 Type A	8
21	66-U---1--5331-3	Washer, Lock #10 Spring	6
22	66-U---1--2403	Screw, Machine #10-24 X 0.500 Sltd	8
23	34-01167-01	Nut, Retainer #10-24 X 1.75	2
24	68-13707-02	Latch	2
69nt--43---379			

## 11 Compressor Assembly

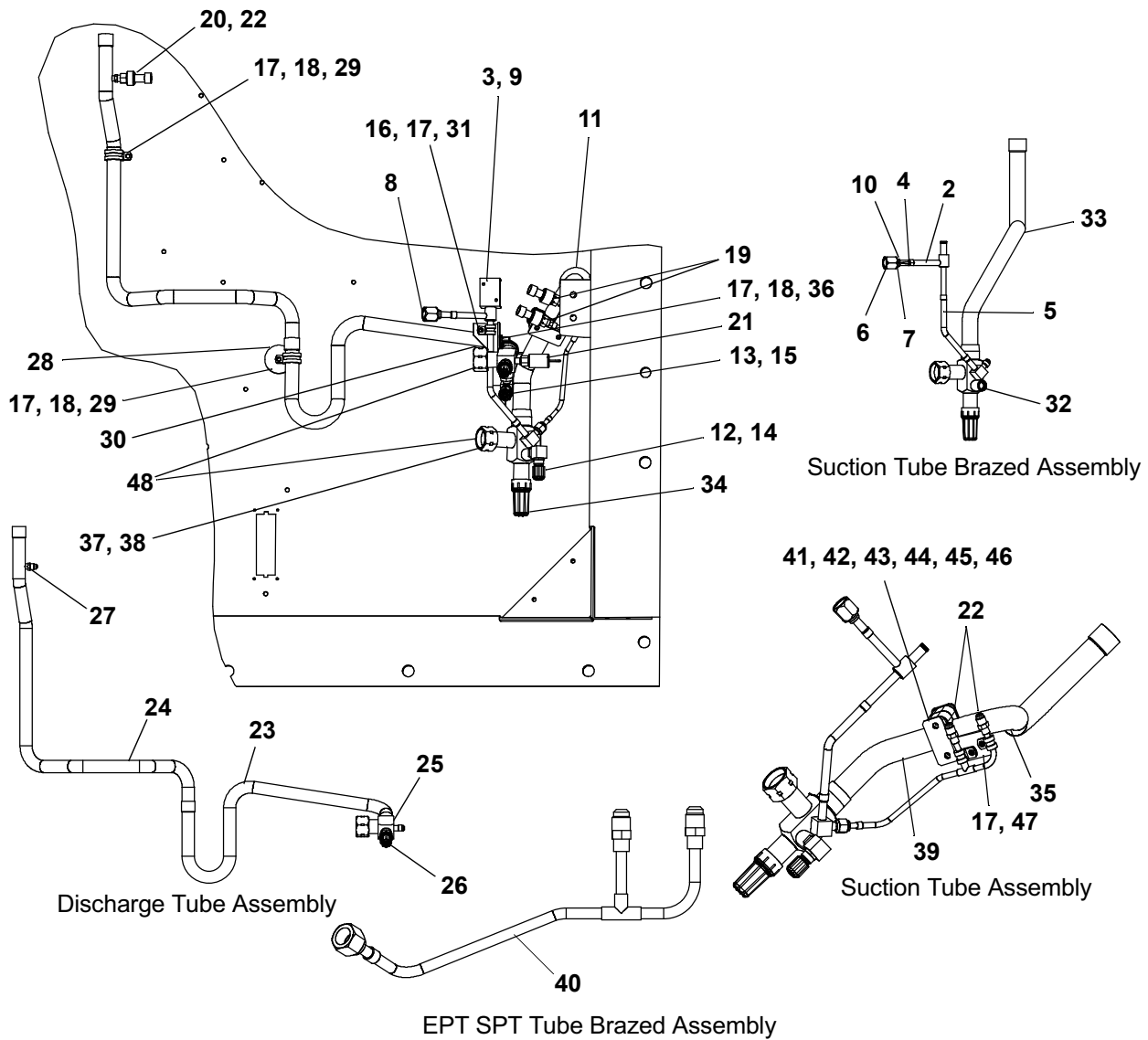


77-01683

Item	Part Number	Description	Qty
1	18-10136-22	Compressor, Scroll R-134a Only	1
1	18-10178-20	Compressor, Scroll R-513A-Ready	1
	42-00384-02	Seal, Rotolock, 1 1/4-12	2
2	12-00653-00	Sensor, Compressor Discharge Temperature (CPDS)	1
3	58-04821-00	Base Assembly	1
4	34-06277-02	Bolt, Shoulder 1/2-13	4
5	34-06236-00	Washer .687 X 1.500 X .078	8
6	34-06053-20	Washer .65 ID X 1.50 OD	4
7	58-04791-01	Mount, Resilient	4
8	22-04128-01	Cable	1
9	66-U---1--3882	Wire Tie	1
10	58-04246-00	Ty-Rap Base	1
11	66-U---1--5371-6	Screw, Machine Hex Head #10-24 X 0.750	1
12	34-00663-09	Washer, Lock #10 Spring	1
13	18-10136-30	Cover	1



## 12 Compressor Tubing



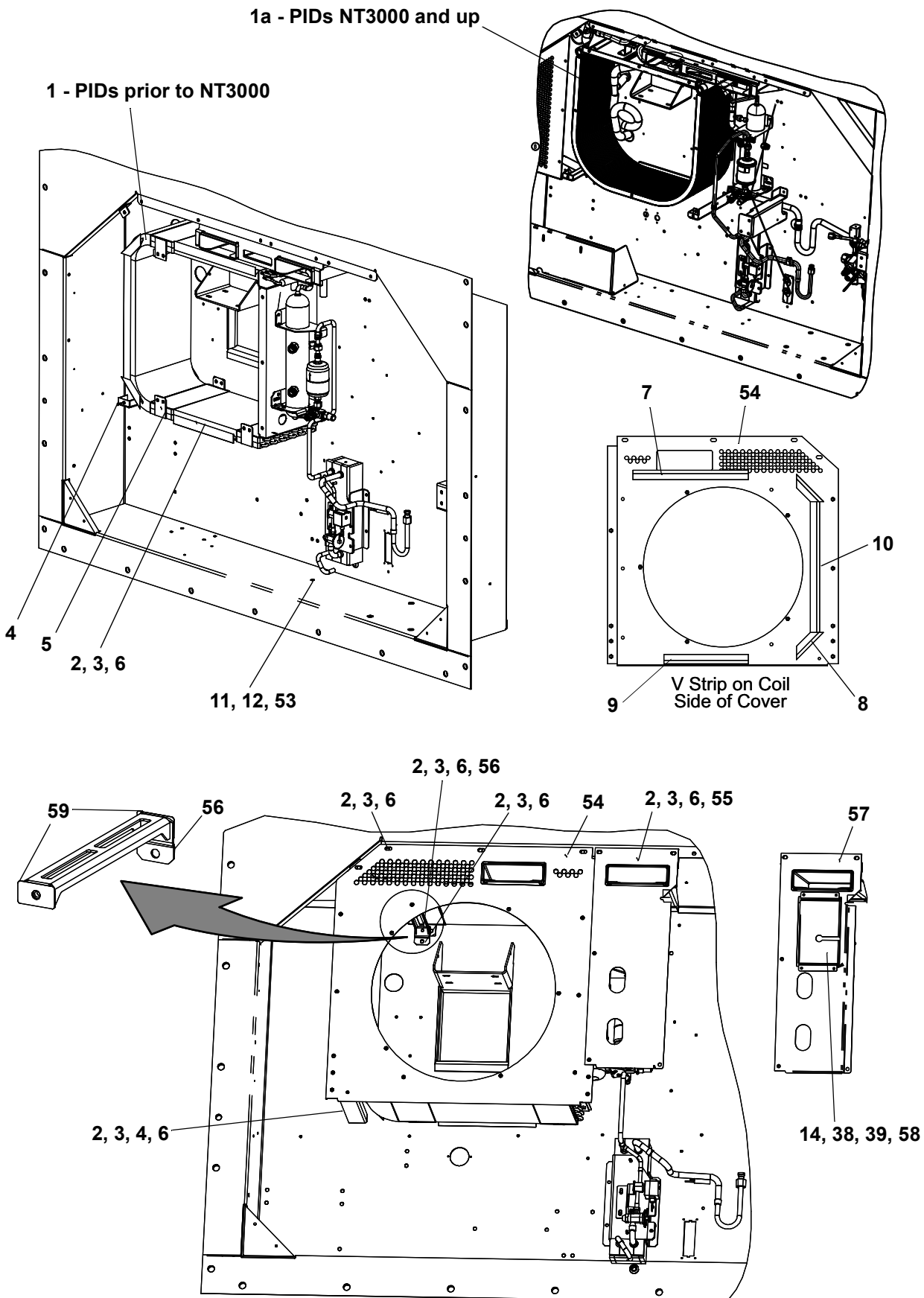
77-01684

Item	Part Number	Description	Qty
1	76-00816-00	Transducer, Service (EPT) (SPT)	1
	22-01713-46	Wire Harness Transducer Service	1
	66-U---1--3803	Tube Heat Shrink	1
2	14-00361-16	Valve Body, Solenoid	1
3	14-00361-01	Coil Kit, Solenoid (DUV)	1
	14-00361-10	Coil	1
	14-00361-11	Spacer	1
	14-00361-12	Plain Washer	1
	14-00361-13	Spring Washer	1
	14-00361-14	Screw	1
4	56-07257-11	Tube	1
5	56-08689-00	Tube	1
6	40-00675-00	Nut, Hex 37 Deg Flare, 1/2 OD	1
7	40-00663-00	Sleeve	1
8	42-00243-12	O-Ring	1

<b>12 Compressor Tubing</b>			
9	66-U---1--3803	Tube, Heat Shrink	2
10	14-00361-15	Screen Valve Strainer	1
11	58-00065-95	Grommet	1
12	40-00542-00	Elbow Adapter Low Press	1
13	40-00542-01	Elbow Adapter High Press	1
14	40-00520-02	Cap	1
15	40-00520-03	Cap	1
16	66-U---1--5371-6	Screw, Machine Hex Head #10-24 X 0.750	3
17	34-06053-05	Washer	6
18	66-U---1--3632-20	Clamp, Tube	3
19	76-00816-00	Transducer, SPT, EPT	2
20	12-00352-00	Transducer, DPT	1
21	12-00309-05	High Pressure Switch, 350/250 Psig	1
22	EC39DM070	Core Check Valve	3
23	56-09161-00	Tube, Discharge 7/8 OD X 0.045	1
24	56-09162-00	Tube, Discharge 7/8 OD X .045	1
25	40-00583-05	Valve, Service 7/8 ID, Rotalock	1
26	40-00583-20	Valve Cap	1
27	40-01124-00	Valve Body	1
28	34-06295-00	Washer, Fender #10-1.690-2.000 OD	1
29	66-U---1--5371-10	Screw, Machine Hex Head #10-24 X 1.00	2
30	68-15532-00	Bracket .090 Thick Aluminum	1
31	34-00373-53	Clamp, Tube	1
32	76-00818-01	Valve, Service 1 1/8 ID, Rotalock (For PIDs < NT2750)	1
	76-66649-00	Valve, Service 1 1/8 ID, Rotalock (For PIDs >= NT2750)	1
33	56-09063-00	Tube, Suction 1-1/8 OD X 0.05	1
34	40-00665-21	Service Cap	1
35	42-00425-131	Insulation, Tube Pre-Taped	1
36	34-00795-09	Nut, Self Lock	1
37	42-00425-112	Insulation, Tube Pre-Taped	1
38	66-U---1--3882-3	Wire Tie	2
39	42-00425-130	Insulation, Tube Pre-Taped	1
40	74-66663-00	Tube Assembly (PIDs < NT2750):	1
	79-04051-00	Tube Assembly (PIDs >= NT2750):	
	81-04212-00	Tube	1
	EC39DM070	Valve Core	1
41	68-15997-00	Bracket	1
42	44-00285-54	Clamp, Tube 1-1/8 OD 2 Pcs	1
43	34-00655-18	Screw, Cap Hex Head 1/4-20 X 2.25	2
44	34-06053-00	Washer .250 ID X .800 OD	2
45	66-U---1--5321-7	Washer, Plain 1/4 W Type A	2
46	68-15998-00	Nut Plate	1
47	34-00373-51	Clamp, Tube	2
48	42-00384-02	Seal, Rotolock, 1 1/4-12	2

77-01684-00

# 13 Condenser COIL & COVERS



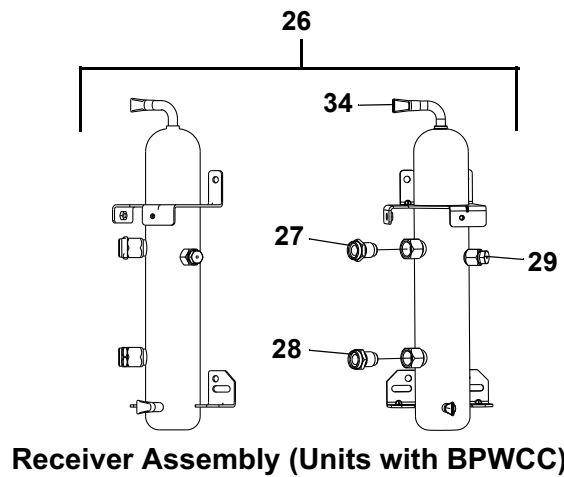
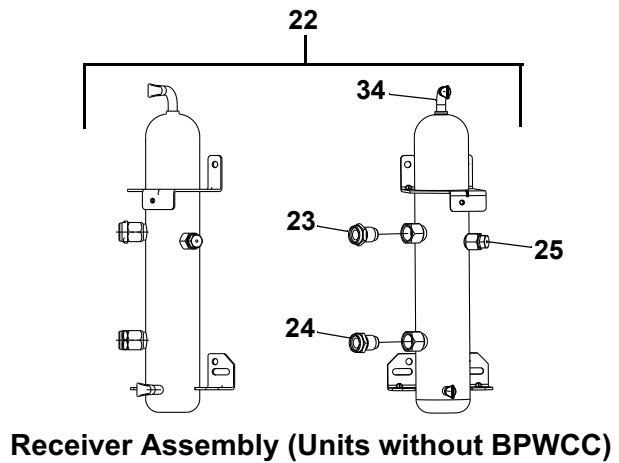
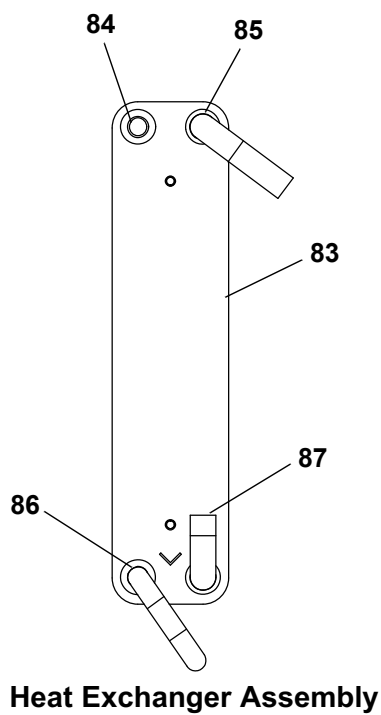
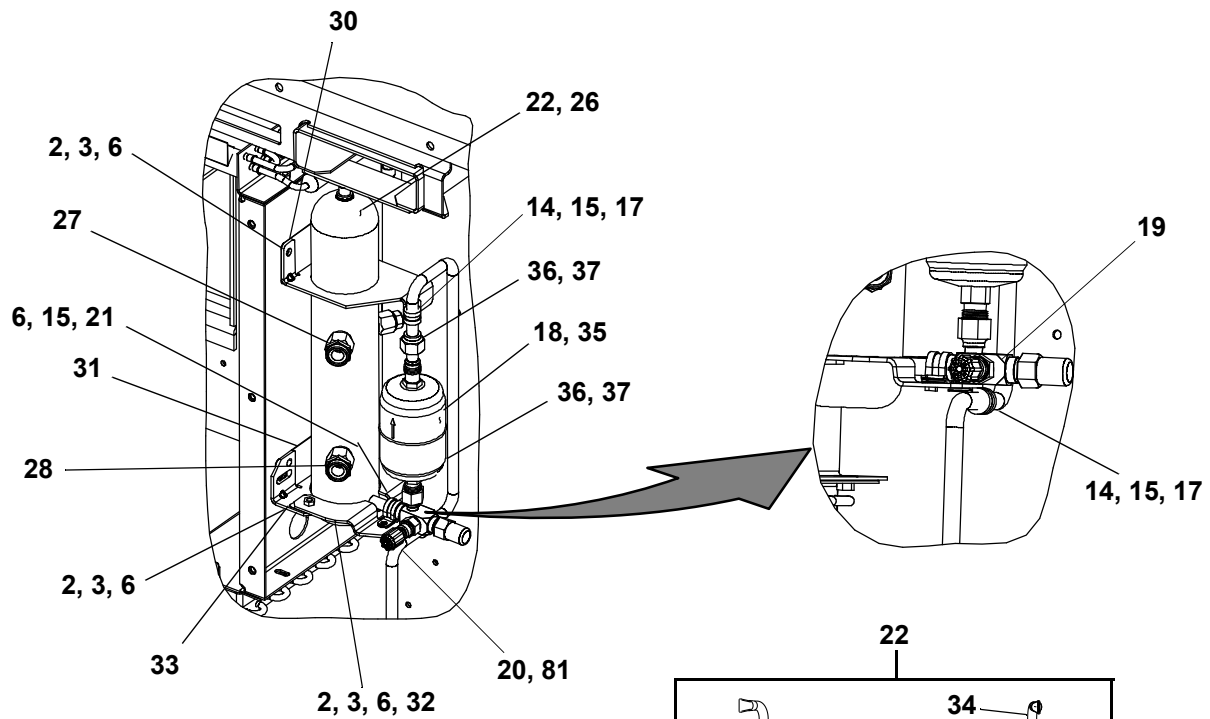
**13 Condenser****COIL AND COVERS**

Item	Part Number	Description	Qty
1	81-04203-20	Condenser Coil Assembly (PIDs prior to NT3000):	1
	68-17185-00	Panel	1
	34-00655-04	Screw, Hex Head	4
	34-06053-00	Washer	4
	66-U---1--5321-3	Washer, Plain	4
	58-04910-00	Protector	1
	58-04910-01	Protector	1
	58-04026-23	Protector	1
	58-04026-108	Protector	1
	56-09149-00	Coupling	2
1a	81-04237-20	Condenser Coil Assembly, MCHE (PIDs NT3000 and up):	1
	81-04237-03	Coil Assembly	1
	66-U---1--5361-25	Screw, Cap Hex Head 1/4-20 X 0.75	4
	66-U---1--5321-7	Washer, Plain 1/4 W Type A	4
	34-06053-05	Washer	3
	34-06053-00	Washer	4
	66-U---1--5371-6	Screw, Machine Hex Head	2
	86-05150-00	Bracket	1
	56-09392-00	Tube, Liquid	1
	56-09394-00	Tube, Liquid	1
	--DE--01BA-504	Coupling	2
	34-00373-61	Clamp, Tube	2
	68-86389-00	Bracket	1
	34-00928-09	Rivet, Blind	2
	42-00174-127	Gasket	2
	58-04910-21	Protector	4
	58-04910-22	Protector	4
	66-U---1--3882-7	Wire Tie	4
	34-00667-09	Nut, Self Lock	1
1a	76-00893-00	MCHE Repair Kit	1
2	66-U---1--5361-25	Screw, Cap Hex Head 1/4-20 X 0.75	42
3	66-U---1--5321-7	Washer, Plain 1/4 W Type A	44
4	68-17196-00	Bracket	1
5	58-04910-02	Protector	2
6	34-06053-00	Washer .250 ID X .800 OD	45
7	42-00771-02	Gasket	2
8	42-00771-00	Gasket	4
9	42-00771-01	Gasket	2
10	42-00771-03	Gasket	2
11	66-U---1--5361-7	Screw, Cap Hex Head 3/8-16 X 1.00	1
12	34-00662-13	Washer, Plain 3/8	1

77-01697-01

# 13 Condenser

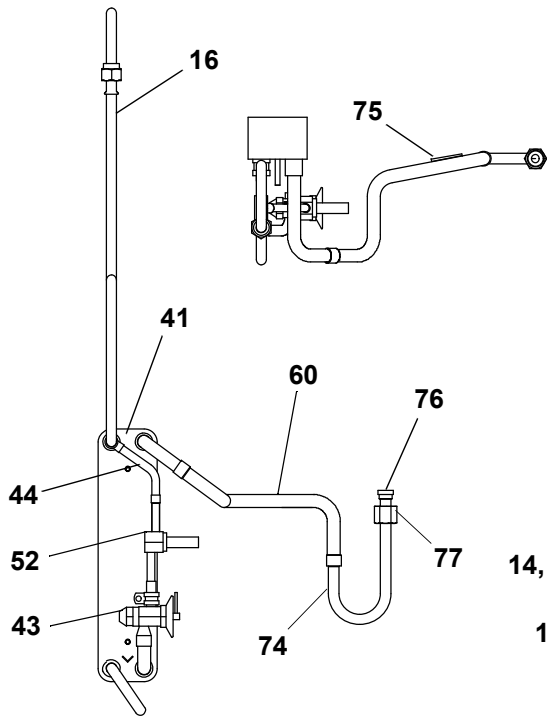
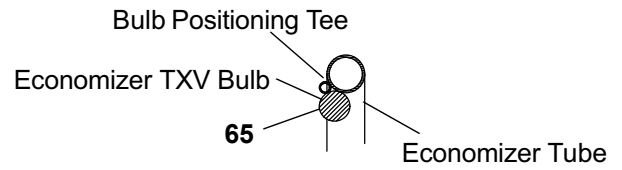
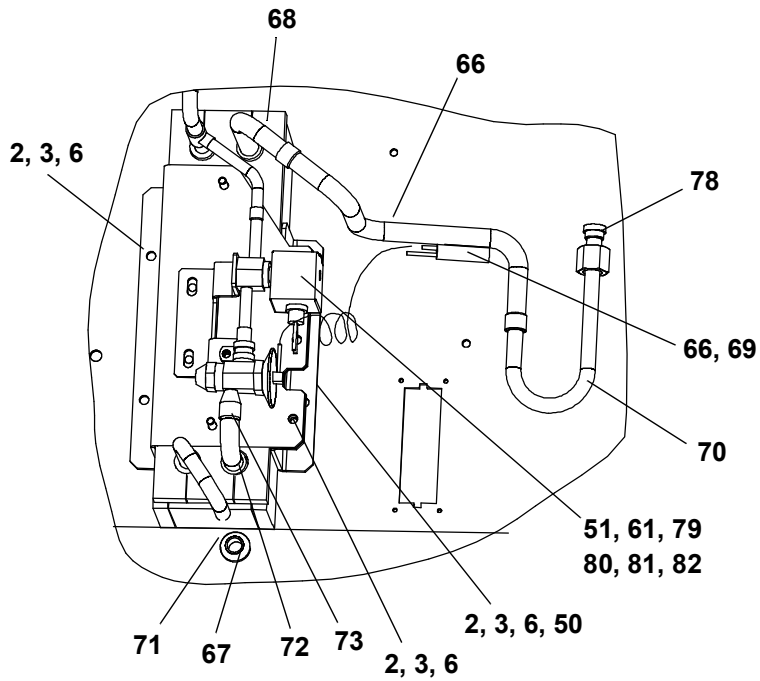
## RECEIVER, HEAT EXCHANGER SECTIONS



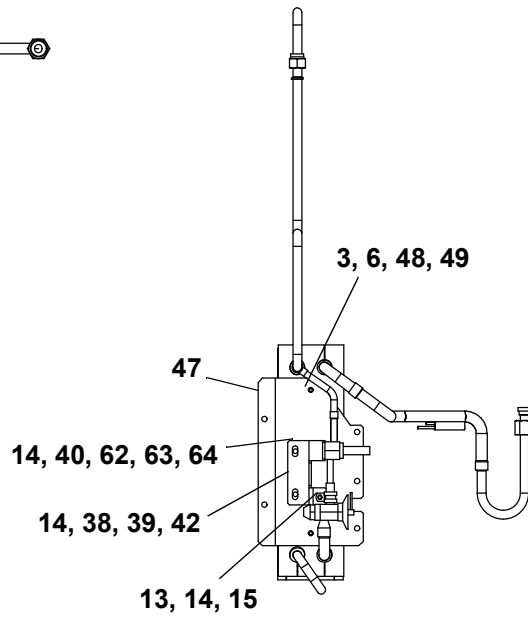
77-01697



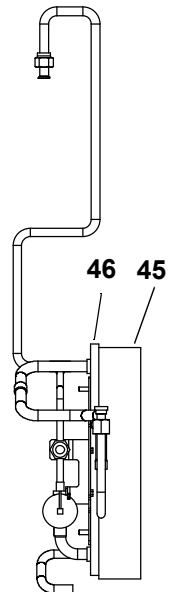
**13 Condenser  
ECONOMIZER SECTION**



**Economizer Brazed Assembly**



**Economizer Assembly**



77-01697

**13 Condenser**

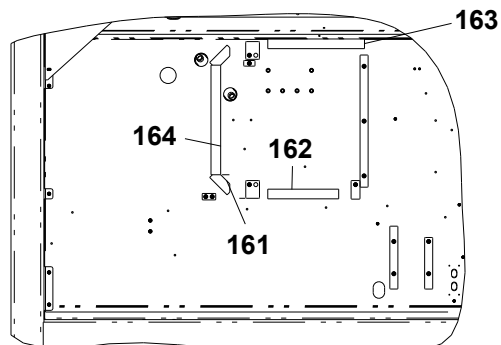
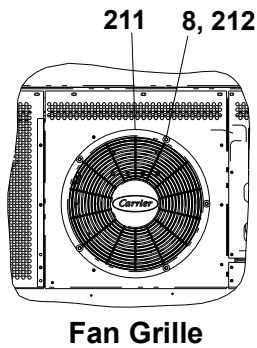
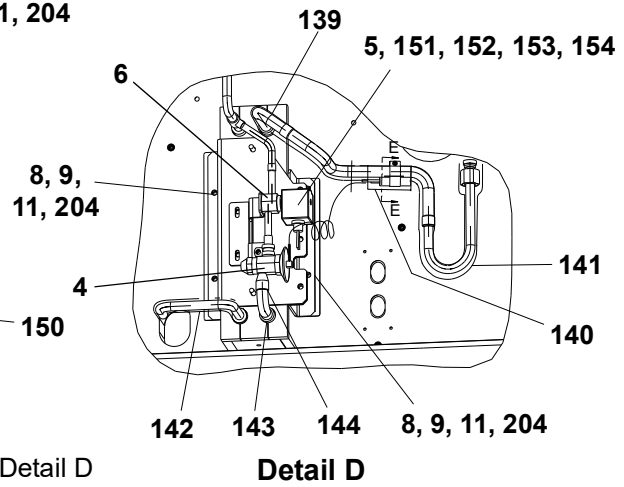
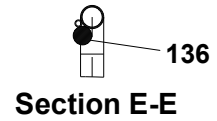
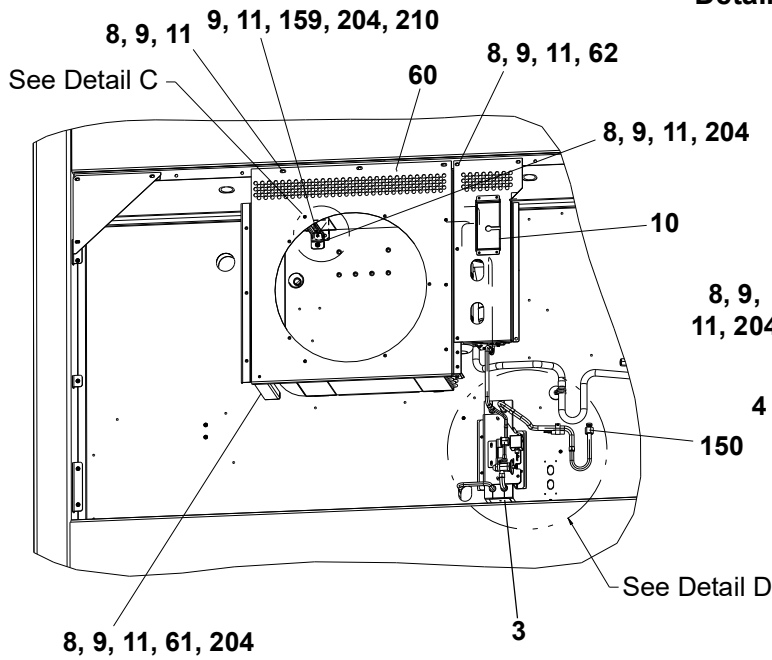
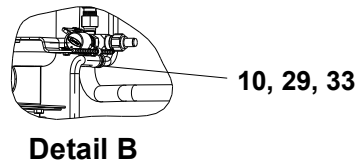
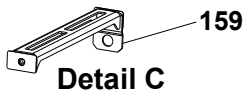
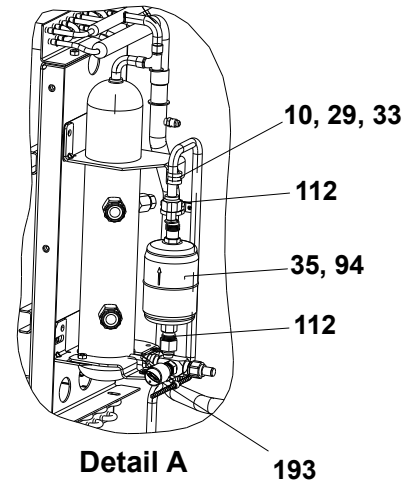
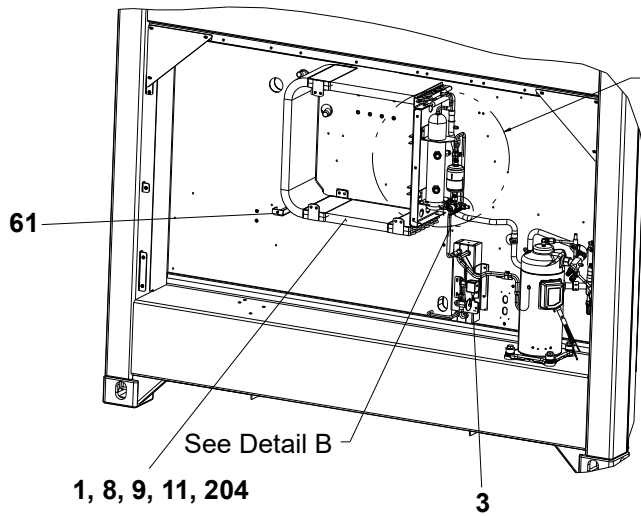
Item	Part Number	Description	Qty
13	34-00373-54	Clamp, Tube Cushion	1
14	34-06053-05	Washer .205 ID X .600 OD	7
15	66-U---1--5371-6	Screw, Machine Hex Head #10-24 X 0.750	4
16	56-09064-00	Tube	1
17	44-00370-03	Clamp, Cushioned	2
18	14-00341-07	Filter Drier 1/2 Flare, "O" Ring	1
	14-00341-11	Filter Drier Aluminum Coated, 1/2 Flare, "O" Ring	1
19	14-00222-02	Valve, King	1
20	40-00520-01	Coupling	1
21	34-00373-07	Clamp, Tube	1
22	79-04049-01	Receiver Assembly (Units Without Brazed Plate WCC) Includes:	1
23	14-00220-04	Sight Glass 1/2-14 Npt Danfoss	1
24	14-00221-04	Indicator Moisture & Liquid	1
25	14-01032-14	Fusible Plug	1
26	79-04049-02	Receiver Assembly (Units With Brazed Plate WCC) Includes:	1
27	14-00220-04	Sight Glass 1/2-14 Npt Danfoss	1
28	14-00221-04	Indicator Moisture & Liquid	1
29	14-01032-14	Fusible Plug	1
30	58-04026-23	Protector	1
31	58-04026-108	Protector	1
32	68-16864-00	Bracket	1
33	58-04910-04	Protector	2
34	40-66625-38	Elbow, 90 Str 1/2C X 1/2C	1
35	14-00284-20	O-Ring Filter Drier	2
36	66-U---1--3882	Wire Tie	4
37	42-00032-13	Insulation Prestite	2
38	66-U---1--5371-7	Screw, Machine Hex Head #10-24 X .500 Slt'd	2
39	66-U---1--5321-8	Washer, Plain #10 Type A	2
40	58-04026-59	Protector Solenoid Valve	1
41	40-66620-01	Tee, Reducing 1/2 X 1/2 X 3/8	1
42	68-14278-00	Bracket	1
43	14-00232-31	Valve, Expansion 5/8 OD X 3/8 OD	1
44	56-07911-00	Tube, Liquid 3/8 OD X .028 W	1
45	42-00389-03	Insulation Economizer	1
46	42-00390-03	Insulation Economizer	1
47	68-15477-02	Bracket	1
48	58-00836-19	Spacer Nylon	2
49	34-00667-11	Nut, Self Lock	2
50	68-15478-02	Bracket	1
51	14-01091-04	Coil, ESV (PIDs prior to NT2850)	1
	14-01091-10	Coil, ESV (PIDs NT2850 and up)	1
52	14-01090-12	Valve Body Solenoid, ESV (PIDs prior to NT2850)	1
	14-01090-20	Valve Body Solenoid, ESV (PIDs NT2850 and up)	1
53	34-06053-02	Washer 0.375 ID X 1.000	1

**13 Condenser**

54	79-04055-00	Cover Includes:	
	68-17290-00	Cover	1
	58-04910-02	Protector	1
	42-00771-00	Gasket	2
	42-00771-01	Gasket	3
	42-00771-02	Gasket	1
	42-00771-03	Gasket	1
55	68-16823-00	Cover	1
56	86-04994-00	Bracket	1
57	68-16823-08	Cover	1
58	79-66735-04	Bracket	1
59	58-04910-05	Protector	2
60	56-09164-00	Tube	1
61	66-U---1--3803	Tube, Heat Shrink	2
62	66-U---1--5371	Screw, Machine Hex Head #8-32 X 1/2	2
63	66-U---1--5321-2	Washer, Plain #8 Type A	2
64	66-U---1--5331-4	Washer, Lock #8 Spring	2
65	42-00032-00	Insulation Prestite	1
66	66-U---1--3882-3	Wire Tie	3
67	66-U---1--1571-3	Grommet	1
68	42-00425-139	Insulation, Tube	1
69	42-00425-69	Insulation, Tube	1
70	42-00667-32	Insulation, Tube	1
71	42-00667-28	Insulation, Tube	1
72	42-00425-78	Insulation, Tube	1
73	42-00425-93	Insulation, Tube	1
74	56-66738-00	Tube	1
75	99TS0322CK001 400	Tube, Straight	1
76	40-00668-00	Sleeve	1
77	40-00667-00	Nut, Hex	1
78	42-00243-04	O-Ring	1
79	34-66638-00	Screw	1
80	14-01091-20	O-Ring	1
81	14-01091-21	O-Ring	1
82	14-01091-22	Spacer	1
83	81-04202-00	Heat Exchanger:	1
84	99TS0835CK002 000	Tube, Straight	1
85	56-09163-00	Tube	1
86	56-08667-00	Tube, Liquid	1
87	56-08627-00	Tube	1

77-01697-01

# 14 Condenser for PrimeLINE ONE



## 14 Condenser for PrimeLINE ONE

Item	Part Number	Description	Qty
1	79-04186-00	Condenser Assembly - Includes:	1
	81-04203-06	Coil Assembly	1
	79-04167-00	Receiver Assembly	1
	66-U---1--5361-25	Screw, Cap HXHD	4
	66-U---1--5321-7	Washer, Plain	4
	34-06053-00	Washer	4
	58-04026-23	Protector	1
	58-04026-108	Protector	1
3	81-04291-00	Heat Exchanger Assembly	1
4	14-00232-34	Valve, Expansion 5/8 OD X 3/8 OD	1
5	14-01091-04	Coil, ESV (PIDs prior to NT8009)	1
	14-01091-10	Coil, ESV (PIDs NT8009 and up)	1
6	14-01090-12	Valve Body Solenoid, ESV (PIDs prior to NT8009)	1
	14-01090-20	Valve Body Solenoid, ESV (PIDs NT8009 and up)	1
8	66-U---1--5361-25	Screw, Cap HXHD 1/4-20 X .75	31
9	66-U---1--5321-7	Washer, Plain 1/4 w Type A	27
10	34-06053-05	Washer .205 ID X .600 OD	2
11	34-06053-00	Washer .250 ID X .800 OD	27
29	66-U---1--5371-6	Screw, Mach HXHD #10-24 X .750 SLTD	2
33	44-00370-03	Clamp, Cushioned .50 dia	2
35	14-00341-04	Filter Drier	1
60	79-04102-00	Cover Assembly	1
	68-17886-00	Cover	1
	42-66647-02	Gasket	1
	42-66647-01	Gasket	1
	42-66647-03	Gasket	1
	42-66647-00	Gasket	2
	58-04910-02	Protector	3
	42-00465-01	Gasket	1
61	68-17196-00	Bracket	1
62	68-18178-00	Cover	1
94	14-00284-20	O-Ring	2
112	42-00032-13	Insulation	2
136	42-00032-16	Insulation	1
139	42-00425-139	Insulation, Tube	1
140	42-00425-69	Insulation, Tube	1
141	42-00667-32	Insulation, Tube	1
142	42-00425-148	Insulation, Tube	1
143	42-00425-78	Insulation, Tube	1
144	42-00425-93	Insulation, Tube	1

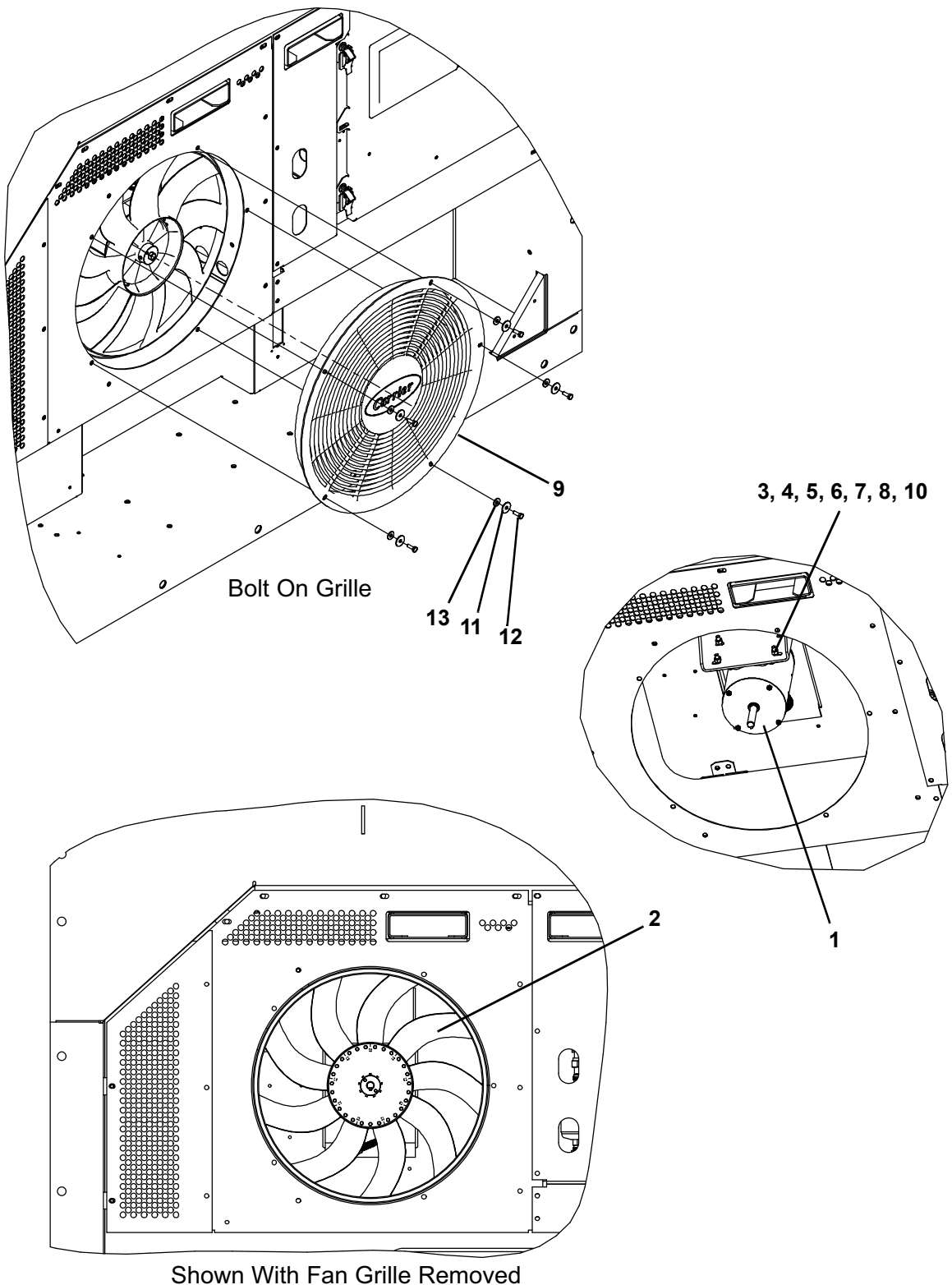
**14 Condenser for PrimeLINE ONE**

150	42-00243-04	O-Ring 0.50 ID X 0.62 OD	1
151	34-66638-00	Screw, #10-32	1
152	14-01091-20	O-Ring	1
153	14-01091-21	O-Ring	1
154	14-01091-22	Spacer	1
159	86-05278-00	Bracket .090 THK ALUM	1
161	42-66647-00	Gasket	2
162	42-66647-01	Gasket	1
163	42-66647-02	Gasket	1
164	42-66647-03	Gasket	1
193	58-66671-00	Seal	1
204	34-00663-11	Washer, Lock 1/4 Spring	13
210	66-U---1--5361-50	Screw, Cap HXHD 1/4-20 X 1	1
211	58-04980-00SV	Grille, Condenser Fan	1
212	69NT--35--2692-1	Washer, Fender 1/4-.993-1.015 OD	5

77-66768-00



# 15 Condenser Fan and Motor



Bolt On Grille

3, 4, 5, 6, 7, 8, 10

Shown With Fan Grille Removed

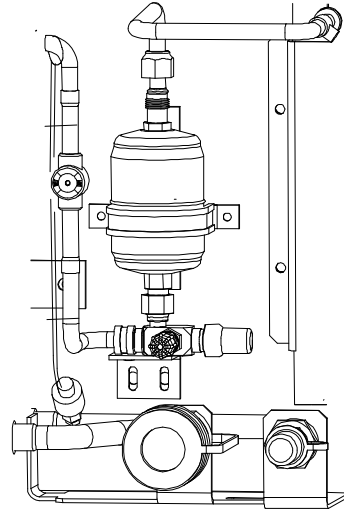
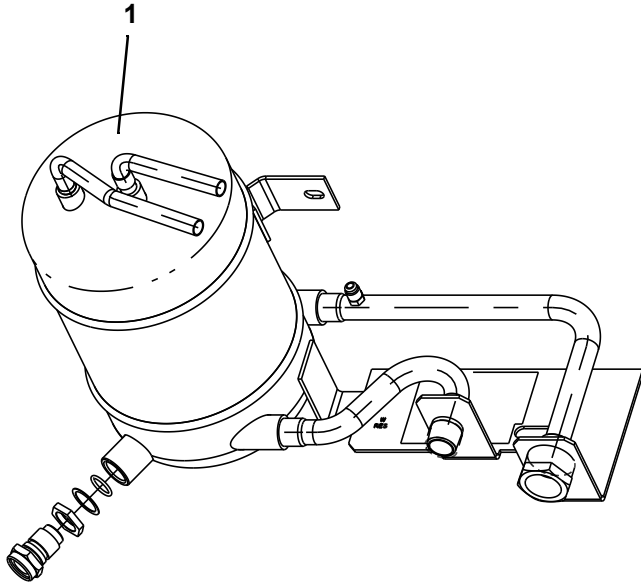
77-01707



**15 Condenser Fan and Motor**

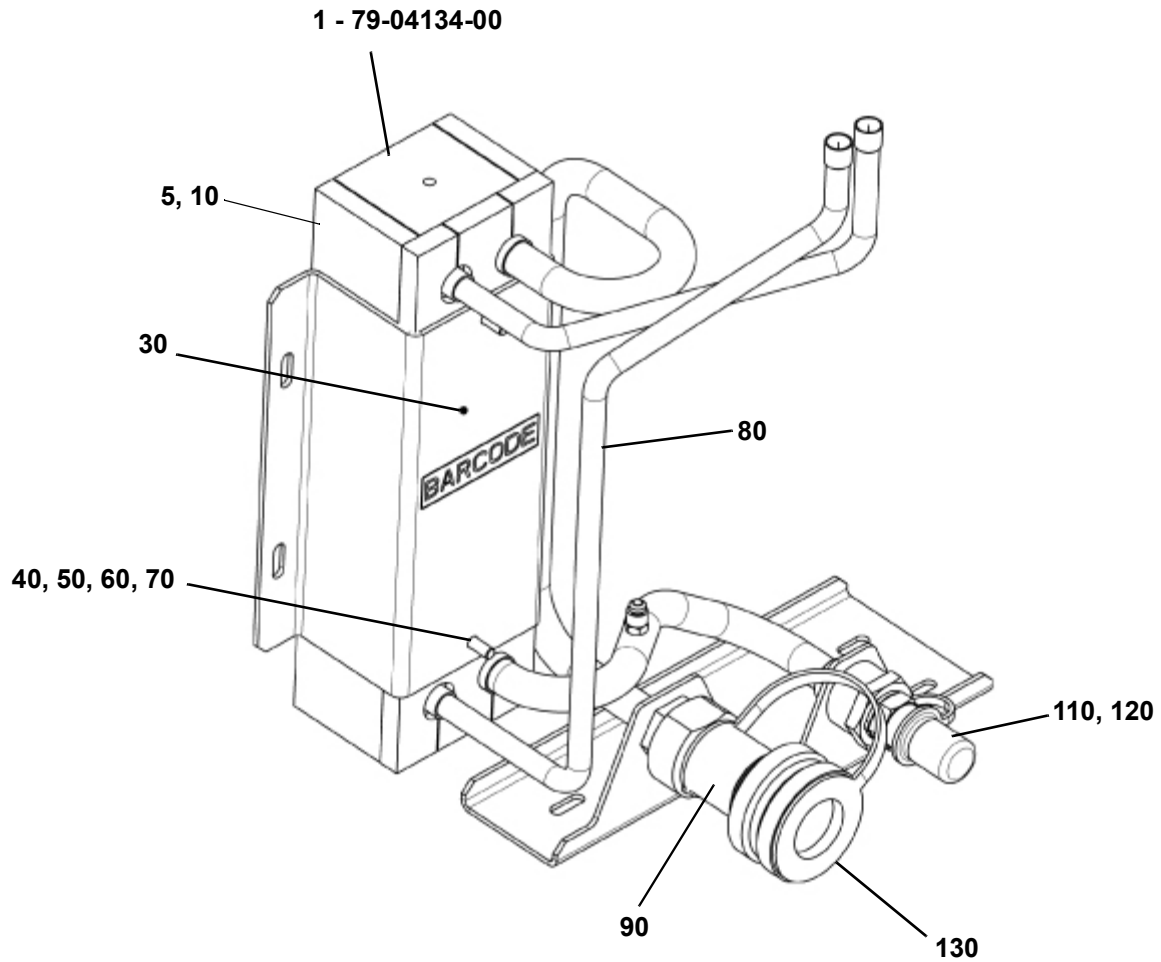
<b>Item</b>	<b>Part Number</b>	<b>Description</b>	<b>Qty</b>
1	54-00655-20	Condenser Fan Motor	1
2	38-00620-01	Condenser Fan Assembly	1
3	69NT--35--3452	Shim	1
4	34-01181-01	Washer, Flat	8
5	34-00667-12	Nut, Self Lock	4
6	66-U---1--5361	Screw, Cap Hex Head 5/16-18 X 1.25	4
7	69NT--35--3452-1	Shim	1
8	69NT--35--6112	Protector	2
9	58-04980-00SV	Condenser Grille	1
10	34-06053-02	Washer	4
11	69NT--35--2692-1	Washer, Fender 1/4-.993-1.015 OD	5
12	66-U---1--5361-25	Screw, Cap Hex Head 1/4-20 X 0.75	5
13	34-06357-00	Washer	5
			77-01707-00

## 16 Water Cooled Condenser Option - Tube-In-Shell



Item	Part Number	Description	Qty
1	76-66641-00	Condenser / Receiver Assembly (provision)	1
1	76-66641-01	Condenser / Receiver Assembly (without provision)	1

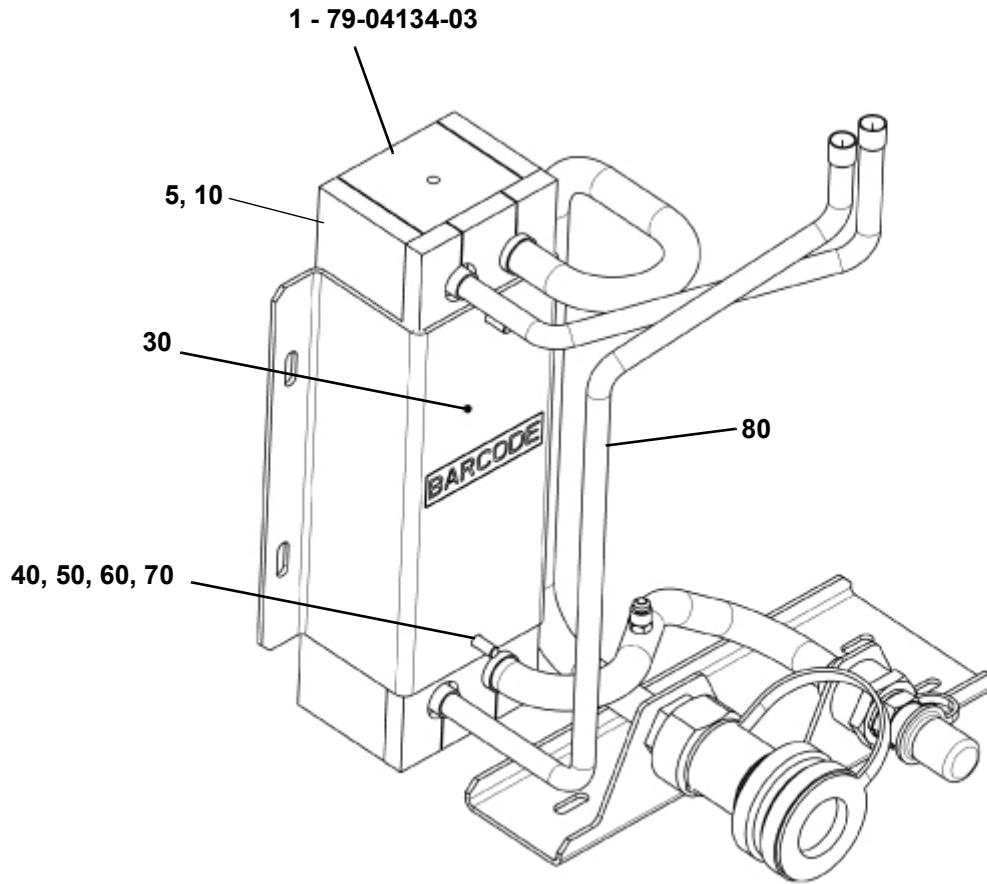
## 17 Water Cooled Condenser Option - Braze Plate



Item	Part Number	Description	Qty
1	79-04134-00	Condenser Assembly	1
5	42-00390-04	Insulation	1
10	42-00389-04	Insulation	1
30	68-17676-00	Bracket	1
40	58-00836-19	Spacer	2
50	34-06053-00	Washer	2
60	66-U---1--5321-7	Washer, Plain	2
70	34-01184-06	Nut, Lock	2
80	81-04238-00	Heat Exchanger Assembly	1
90	40-01129-00	Coupling Socket	1
110	66-U---2--1142	Cap, Dust	1
120	66-U---1--2763-5	Coupling Assy	1
130	66-U---2--1152	Cap, Dust	1

79-04134-00

## 17 Water Cooled Condenser Option - Braze Plate

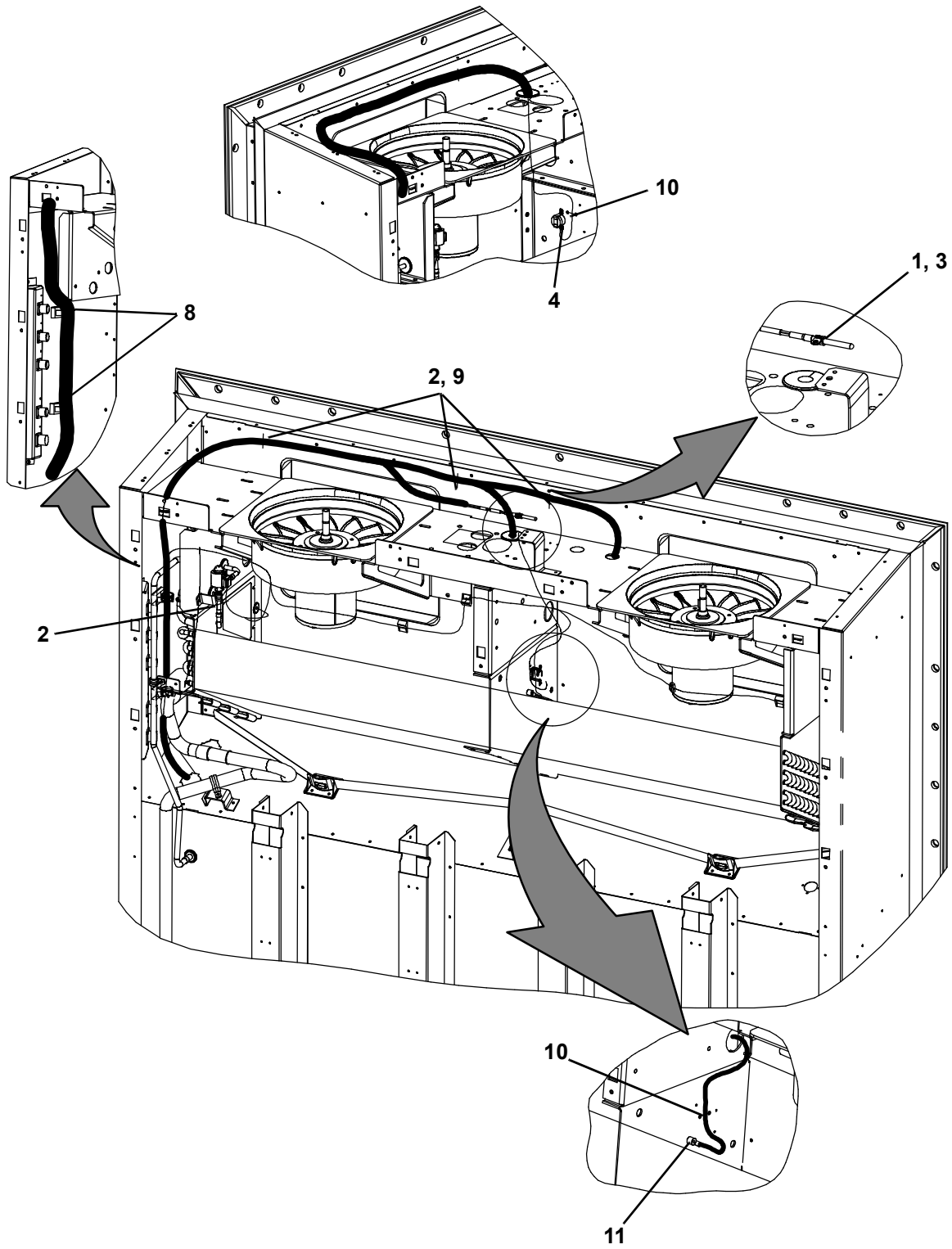


Item	Part Number	Description	Qty
1	79-04134-03	Condenser Assembly	1
5	42-00390-04	Insulation	1
10	42-00389-04	Insulation	1
30	68-17676-00	Bracket	1
40	58-00836-19	Spacer	2
50	34-06053-00	Washer	2
60	66-U---1--5321-7	Washer, Plain	2
70	34-01184-06	Nut, Lock	2
80	81-04238-00	Heat Exchanger Assembly	1

79-04134-03

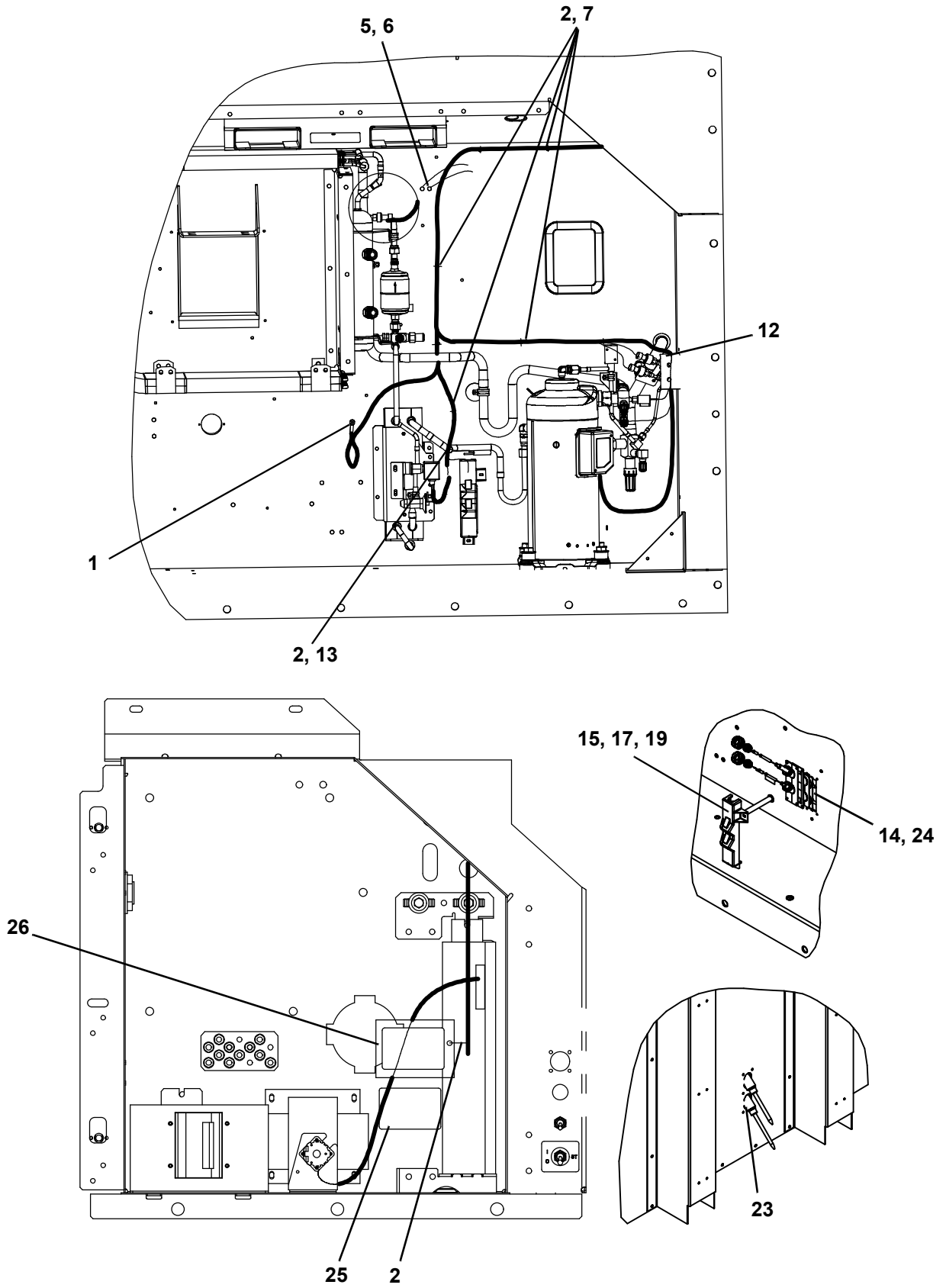


# 18 Controller Kit



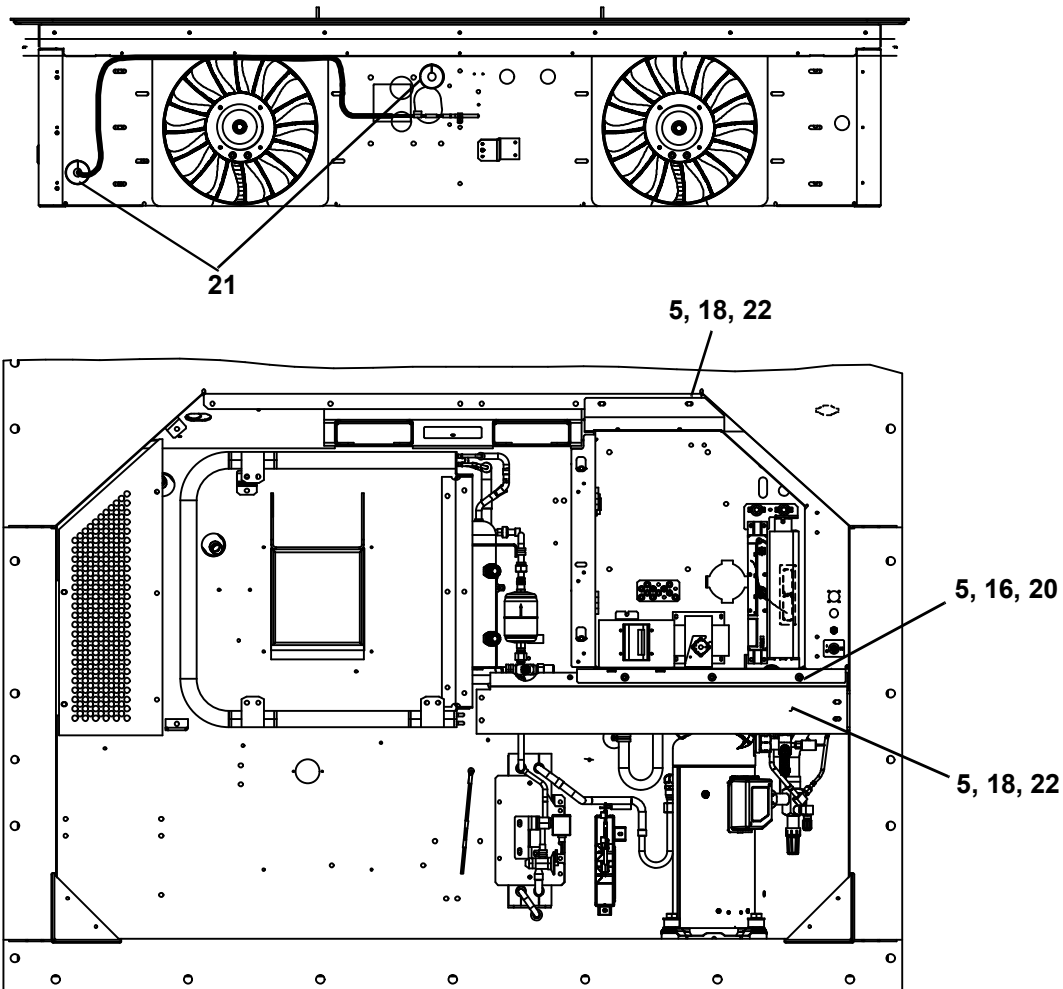
77-01696

# 18 Controller Kit



77-01696

## 18 Controller Kit



77-01696

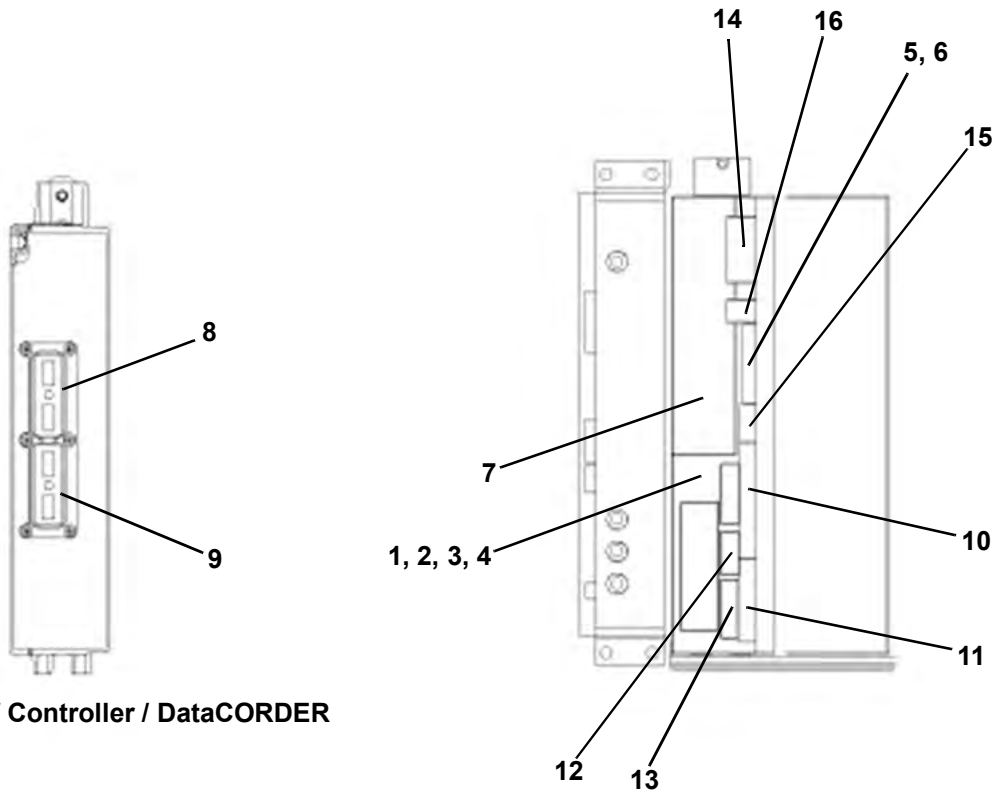
Item	Part Number	Description	Qty
1	66-U---1--5371-6	Screw, Machine Hex Head #10-24 X 0.750	2
2	66-U---1--3882	Wire Tie	17
3	44-01041-04	Clamp, Cushioned	1
4	34-01178-22	Screw, Hex Head #8-32 X 0.50	2
5	66-U---1--5361-25	Screw, Cap Hex Head 1/4-20 X 0.75	7
6	AU27JR171	Washer, Lock 1/4 Ext Tooth	1
7	58-04316-00	Base, Mounting	8
8	44-00361-00	Clip, Retaining	2
9	58-04315-00	Base, Mounting	3
10	58-00969-00	Wire Tie	1
11	34-01178-23	Screw, Tc Hex Head #8-32 X 0.75	1
12	66-U---1--3803	Tube, Heat Shrink	2
13	58-04321-24	Tube, Slit 3/8 ID, 14.00" Lg	1



**18 Controller Kit**

14	58-04276-00	Holder Supply Probe	1
15	58-04279-00	Cover Plastic, Probe	1
16	34-06053-03	Washer 0.250 ID X 1.000 OD	3
17	66-U---1--5371-7	Screw, Machine Hex Head #10-24 X 0.5000	2
18	66-U---1--5321-7	Washer, Plain 1/4 W Type A	2
19	66-U---1--5321-8	Washer, Plain #10 Type A	2
20	69NT--35--2692-1	Washer, Fender 1/4	3
21	58-04273-00	Grommet Split	2
22	34-06053-00	Washer 0.250 ID X 0.800 OD	2
23	34-00928-04	Rivet, Blind	6
24	34-00928-20	Rivet, Blind	4
25	62-11270-14	Label, Warning Software Version 5348	2
26	62-11114-00	Tag Controller Software	1
			77-01696-00

# 19 Controller Module Section and Software Cards



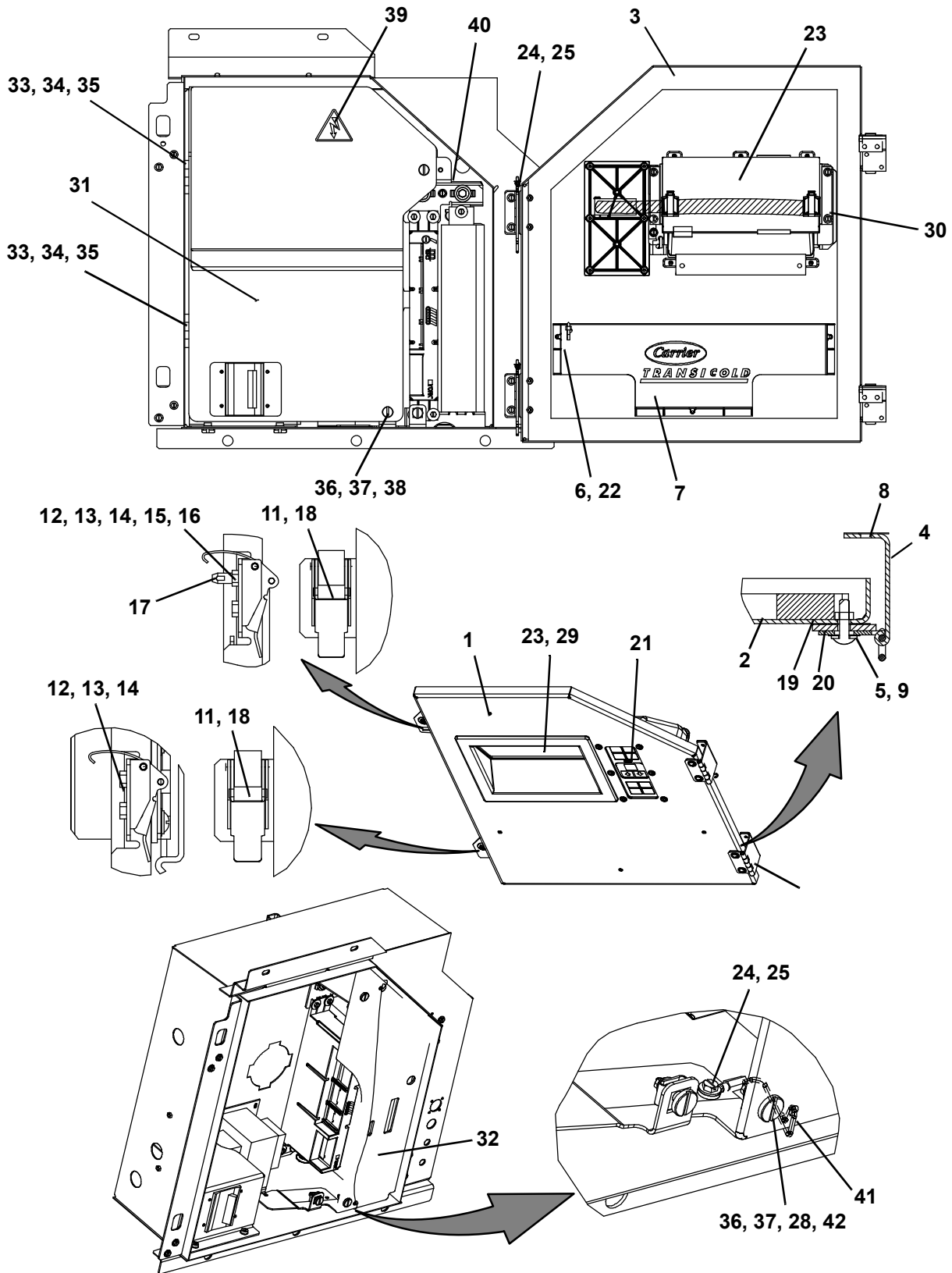
View - Back of Controller / DataCORDER



## 19 Controller Module Section and Software Cards

Item	Part Number	Description	Qty
1	12-55012	Micro-Link 3 Controller / DataCORDER Module - Includes:	1
2	66-U---1--5371-7	Screw, Hex Head, #10-24 X 1/2 Inches Long, SST	1
3	69NT--35--2692	Washer, Fender, 0.063 Thick, SST	1
4	58-01184-00	Retainer, Screw, 0.141 ID	1
5	22-02336-08	Fuse, 7.5 Amp (F3A and F3B)	3
6	22-02336-02	Fuse, 5 Amp (F1 and F2)	1
7	62-02719-00	Label, Controller Software Programming Port	1
8		Connector (EC A-K); Refer to <a href="#">Section 37</a>	
9		Connector (EC L-Y); Refer to <a href="#">Section 37</a>	
10		Connector (KA) - 14-Pin; Refer to <a href="#">Section 36</a>	
11		Connector (KB) - 10-Pin; Refer to <a href="#">Section 36</a>	
12		Connector (KD) - 4-Pin; Refer to <a href="#">Section 36</a>	
13		Connector (KE) - 5-Pin; Refer to <a href="#">Section 37</a>	
14		Connector (MA) - 12-Pin; Refer to <a href="#">Section 36</a>	
15		Connector (KH) - 6-Pin; Refer to <a href="#">Section 37</a>	
16		Connector (MC) - 8-Pin	
NS	10-01129-07SV	Switch, Toggle (ST)	1
NS	09-00375-00	Battery, Real Time Clock, (Within the Controller)	1
17	30-00407-02SV	Rechargeable Battery Pack with Connector - Controller / DataCORDER	1
18	76-50214-02	PCMCIA to USB Blue Adapter	1
19	07-00571-00PK5	Micro-Link 3 USB Adapter MUA (5 Pack)	1
20	07-00572-00	Micro-Link 3 Service Tool MST	1
21	12-50172-00	USB Stick Preloaded MUA & MST	1

# 20 Controller Door Kit, Latch



77-01664

## 20 Controller Door Kit, Latch

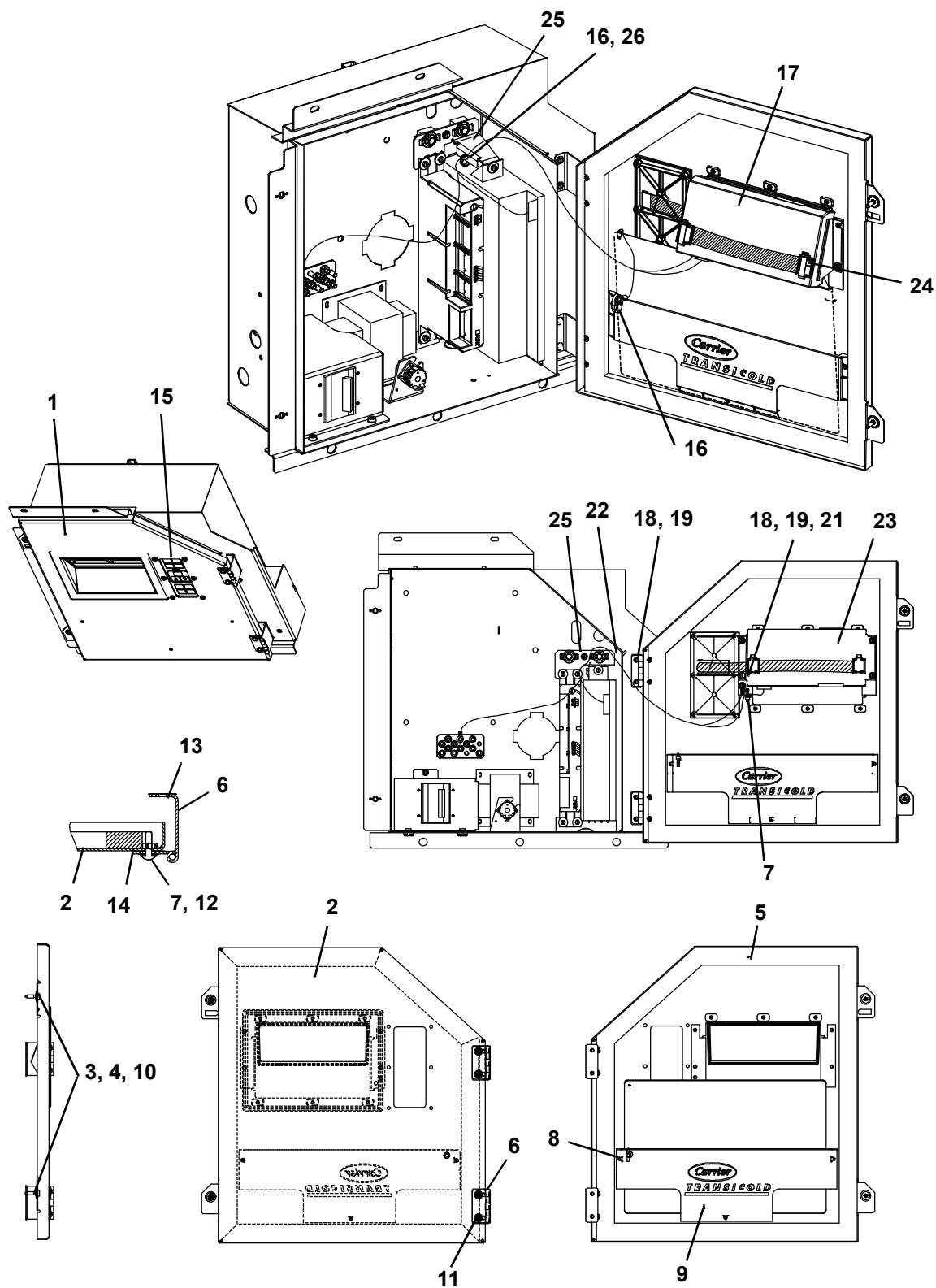
Item	Part Number	Description	Qty
1	79-04018-01	Control Box Door Assembly, Latch Includes:	1
2	86-04987-01	Door, Control Box	1
3	42-00741-00	Gasket Control Box Door	1
4	44-00300-04	Hinge Assembly W/Tethered Pin	2
5	66-U---1--2403-1	Screw, Machine #10-24 X 0.750	4
6	34-06107-00	Rivet, Blind	3
7	58-04954-00	Pocket Placard	1
8	58-04101-02	Protector	2
9	34-06053-05	Washer	4
10	58-04366-00	Window Controller Door	1
11	58-04026-74	Protector Latch	2
12	34-00663-08	Washer, Lock #8 Spring	4
13	66-U---1--5321-2	Washer, Plain #8 Type A	4
14	66-U---1--6651-2	Screw, Machine Pan Head #8-32 X 1/2 Lg	3
15	66-U---1--6651-22	Screw, Machine Pan Head #8-32 X 3/4 Lg	1
16	34-66621-04	Washer, Lock Internal Tooth	1
17	48-66611-00	Pin, Guide Machined	1
18	44-66605-00	Latch	2
19	68-17461-00	Shim	2
20	58-04101-00	Protector	2
21	79-66669-00	Key Pad Assembly Includes:	1
	NSS	Key Pad 69Nt Core Micro	1
	NSS	Plate, Backup	1
	NSS	Gasket, Keypad	1
	NSS	Washer, Plain #10 Type A	6
	NSS	Screw, Tf Pan Head #10-9 X.75	6
	NSS	Indicator Dot	1
22	66-U---1--3882	Wire Tie 1/16-1-3/4 Self locking	3
23	12-00433-06RP	Display Module	1
24	66-U---1--5371-7	Screw, Machine Hex Head #10-24 X 0.500	9
25	66-U---1--5321-8	Washer, Plain #10 Type A	9
26	66-U---1--5371-6	Screw, Machine Hex Head #10-24 X 0.750	2
27	AU27JR131	Washer, Lock #10 Ext Tooth	3
28	22-01713-49	Harness	1
29	58-04960-00	Rain Shield	1
30	44-00391-00	Clamp	2
31	79-04046-00	Shield, Hi-Volt Std	1

## 20 Controller Door Kit, Latch

32	79-04047-00	Shield, Low Voltage	1
33	66-U---1--2403	Screw, Machine #10-24 X 0.500	2
34	44-00473-00	Hinge High Volt Shield	2
35	34-00928-20	Rivet, Blind	4
36	34-06139-01	Stud 1/4" Retaining	3
37	34-06139-00	Retainer 1/4" Stud	3
38	34-06139-04	Receptacle 1/4" Retaining	3
39	62-03957-04	Decal, Warning High Voltage	1
40	68-17228-00	Bracket	1
41	69NT--35---636-6	Tether Assembly	1
42	68-17298-00	Bracket	1
			77-01664-01



# 21 Controller Door Kit, Screw



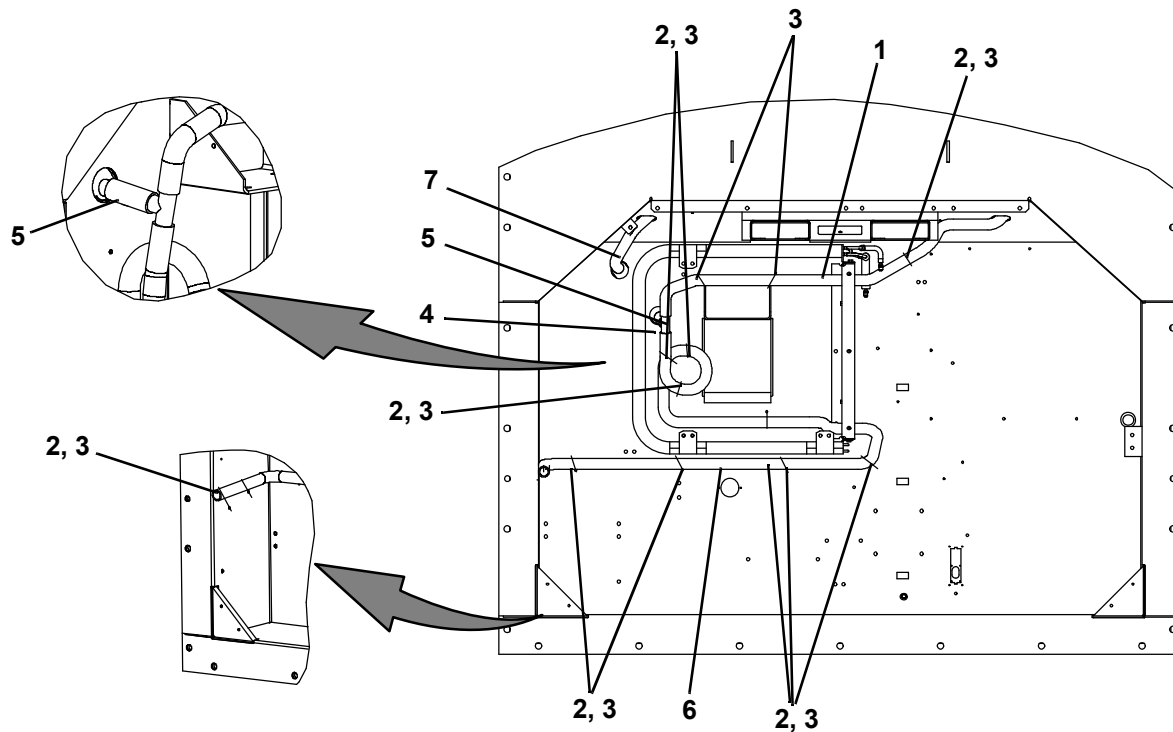
77-01664



## 21 Controller Door Kit, Screw

Item	Part Number	Description	Qty
1	79-04018-00	Control Box Door Assembly, Phillips Screw Includes;	1
2	86-04987-00	Door, Control Box	1
3	66-U---1--6811-12	Screw, Retaining .300-.625 Phillips	2
4	34-06169-00	Washer, Retaining 0.185 ID X 0.62 OD	2
5	42-00741-00	Gasket Control Box Door	1
6	44-00477-00	Hinge Staked Pin	2
7	66-U---1--2403-1	Screw, Machine Trhd #10-24 X .750 Sltd	4
8	34-06107-00	Rivet, Blind .125 Diameter .188-.250	3
9	58-04954-00	Pocket, Placard	1
10	34-06053-00	Washer 0.250 ID X 0.800 OD	4
11	58-04101-02	Protector	2
12	34-06053-05	Washer .205 ID X0 .600 OD	4
13	58-04366-00	Window Controller Door	1
14	58-04101-00	Protector	2
15	79-66669-00	Key Pad Assembly Includes:	1
	NSS	Key Pad 69Nt Core Micro	1
	NSS	Plate, Backup	1
	NSS	Gasket Keypad	1
	NSS	Washer, Plain #10 Type A	6
	NSS	Screw, Pan Head #10-9 X.75	6
	NSS	Indicator Dot	1
16	66-U---1--3882	Wire Tie	3
17	12-00433-03RP	Module 69Ne/Nt Display	1
18	66-U---1--5371-7	Screw, Machine Hex Head #10-24 X 0.500 Sltd	9
19	66-U---1--5321-8	Washer, Plain #10 Type A	9
20	66-U---1--5371-6	Screw, Machine Hex Head #10-24 X 0.750	2
21	AU27JR131	Washer, Lock #10 Ext Tooth	1
22	22-01713-49	Harness	1
23	58-04960-00	Rain Shield	1
24	44-00391-00	Clamp	2
25	68-16735-00	Bracket	1
26	58-04316-00	Base, Mounting	1
			77-01664-00

## 22 Drain



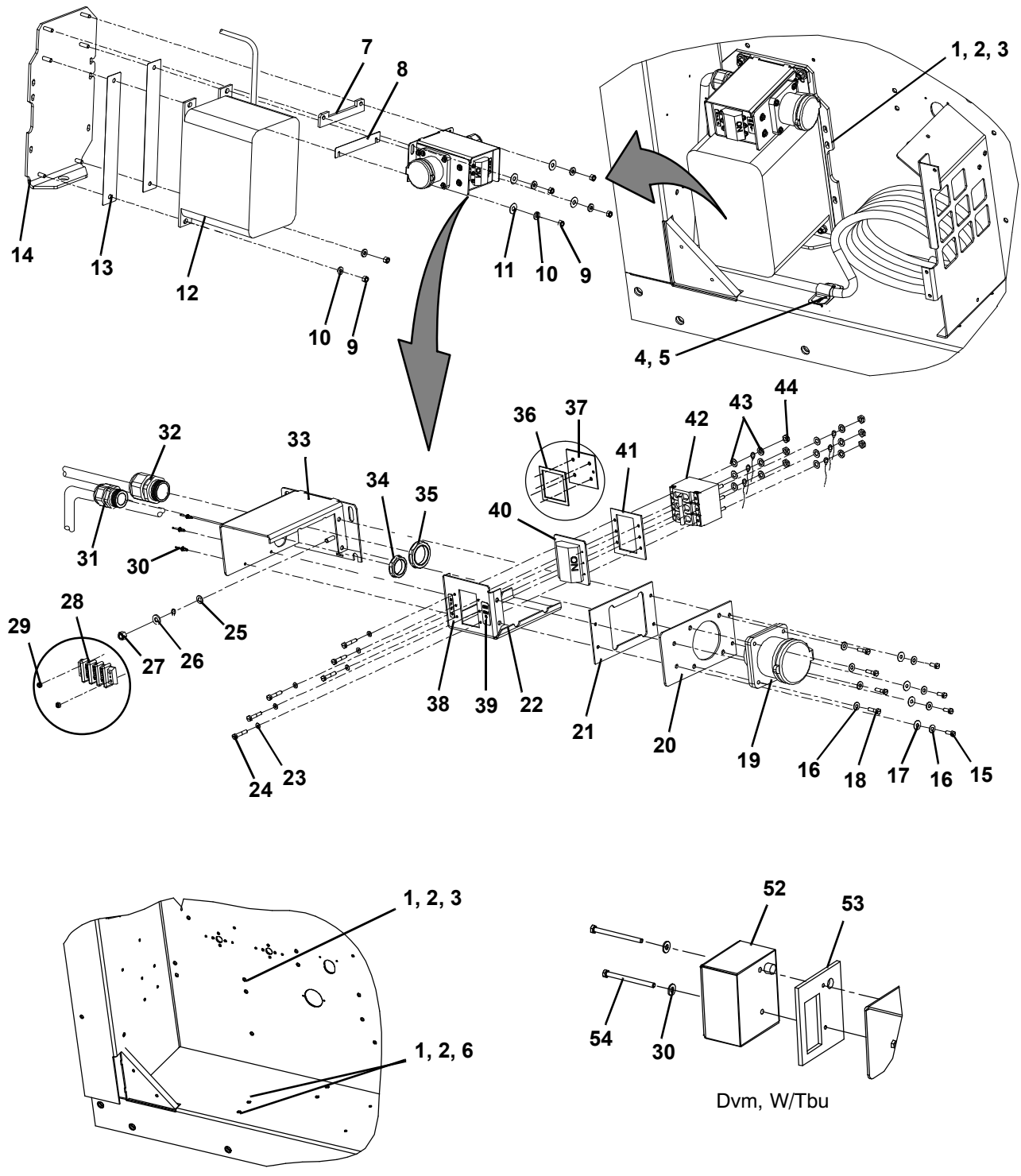
77-01699

Item	Part Number	Description	Qty
1	58-04539-12	Tube, Flexible Std. 44"	1
2	58-04316-00	Base, Mounting .250 Diameter Mounting Hole	11
3	66-U---1--3882	Wire Tie /16-1-3/4 Self locking	13
4	58-04202-02	Tee 1.00 OD Drain	1
5	58-04539-10	Tube, Flexible Std. 3"	1
6	58-04539-13	Tube, Flexible Std. 109"	1
7	58-04539-11	Tube, Flexible Std. 12"	1

77-01699-00



# 23 Autotransformer



Autotransformer Provision

Dvm, W/Tbu

## 23 Autotransformer

Item	Part Number	Description	Qty
<b>STANDARD PARTS INCLUDED IN OPTIONS</b>			
1	66-U---1--5321-7	Washer, Plain, 1/4 W Type A	7
2	34-06053-00	Washer, Mylar, 0.250 ID X 0.800 OD	5
3	AA06JA170	Screw, Hex Head, 1/4-20 X 1.00	7
4	58-04026-07	Protector, Mylar	1
5	68-14456-02	Cable Cutter	1
6	66-U---1--5361-25	Screw, Cap Hex Head 1/4-20 X 0.75	2
<b>AUTOTRANSFORMER WITHOUT CB2</b>			
-	76-00667-07	Transformer Kit, Field Installation, <b>Without CB2</b> - Includes:	1
7	58-04026-25	Protector, 1.00 X 6.62, With Two Slots	1
8	69NT--35--2086	Spacer, 0.25 Thick Aluminum	1
9	34-00667-12	Nut, Self-Locking, 5/16-18	6
10	34-01181-01	Washer, Flat 0.320/0.330 ID	6
11	34-06053-02	Washer, 0.375 ID X 1.000 OD	4
12	69NT--40---914-4	Transformer Assembly	1
13	58-04026-17	Protector, 2.00 X 13.0 With Two Holes	2
14	69NT--43---374	Bracket Assembly DV Transformer Module	1
15	66-U---1--5371-7	Screw, Machine, Hex Head, #10-24 X 0.500 Slotted	4
16	66-U---1--5321-8	Washer, Plain #10 Type A	8
17	34-06053-05	Washer 0.205 ID X 0.600 OD	4
18	66-U---1--5371-6	Screw, Machine, Hex Head, #10-24 X 0.750 Slotted	4
19	22-01679-00	Receptacle 32 Amp/Bryant	1
20	69NT--41---892	Cover Assembly Transformer Module, Receptacle	1
21	42-00328-00	Gasket, 0.094 Thick X 3.60 X 5.74	1
22	69NT--43---282	Box Assembly Transformer Module, CB2	1
23	34-06053-10	Washer 0.138 ID X 0.343 OD	4
24	66-U---2--1531-3	Screw, Machine, Round Head #6-32 X 0.375 Inches Long SS	4
25	AU27JR171	Washer, Lock, 1/4 Ext Tooth	1
26	66-U---1--5321-3	Washer, Plain, 1/4 N Type A	1
27	34-00667-11	Nut, Self-Locking, 1/4-20	1
28	22-01778-00	Terminal, Block Three Terminal	1
29	34-00795-09	Nut, Self-Locking, 10-32	2
30	34-00928-02	Rivet, Blind, 0.125 Inch Diameter 0.126-0.187	3
31	22-02319-05	Connector, Straight, 3/4 Hub	1
32	22-02319-06	Connector, Straight, 0.590/1.00 Inch Diameter	1
33	69NT--43---270-1	Box Assembly, Weld DV Transformer Module	1
34	34-06136-01	Nut, Lock, 3/4 NPT	1
35	34-06136-02	Nut, Lock, 1.00 NPT	1
36	42-00366-00	Gasket, 0.094 Thick, 3.20 X 3.200	1
37	68-13832-00	Plate Assembly, 0.090 Thick Aluminum	1

## 23 Autotransformer

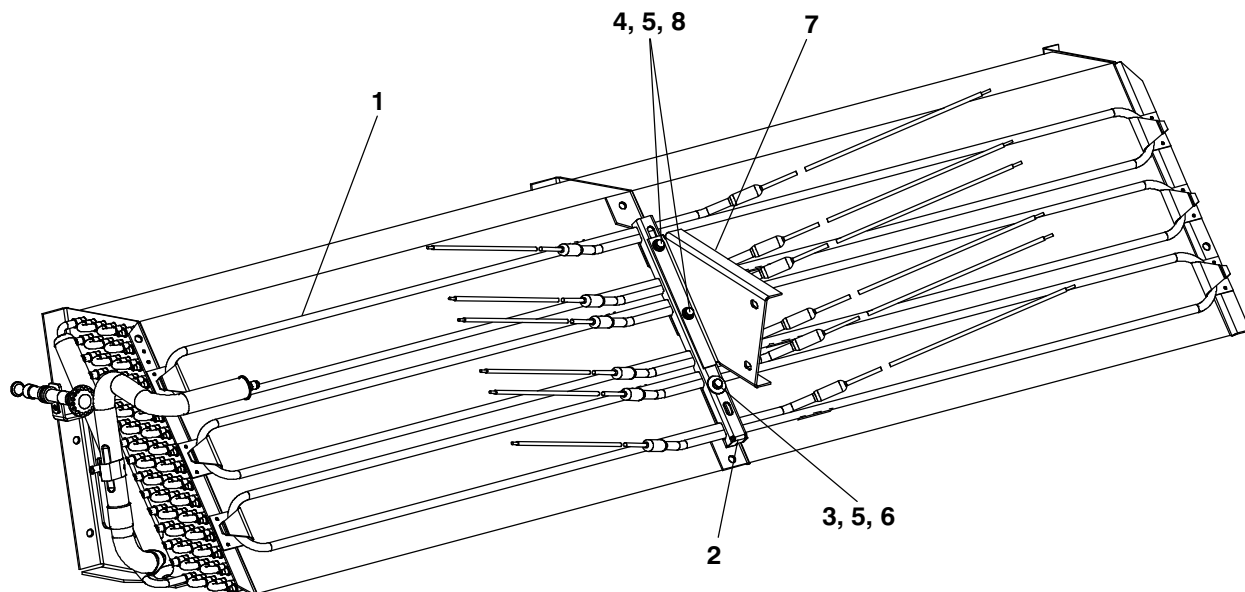
AUTOTRANSFORMER WITH CB2			
-	76-00667-03	Transformer Kit, Field Installation, <b>With CB2</b> - Includes:	1
7	58-04026-25	Protector 1.00 X 6.62, With Two Slots	1
8	69NT--35--2086	Spacer, 0.25 Thick Aluminum	1
9	34-00667-12	Nut, Self-Locking, 5/16-18	6
10	34-01181-01	Washer, Flat 0.320/0.330 ID	6
11	34-06053-02	Washer, 0.375 ID X 1.000 OD	4
12	69NT--40---914-4	Transformer Assembly	1
13	58-04026-17	Protector, 2.00 X 13.0, With Two Holes	2
14	69NT--43---374	Bracket Assembly DV Transformer Module	1
15	66-U---1--5371-7	Screw, Machine, Hex Head, #10-24 X 0.500 Slotted	4
16	66-U---1--5321-8	Washer, Plain #10 Type A	8
17	34-06053-05	Washer 0.205 ID X 0.600 OD	4
18	66-U---1--5371-6	Screw, Machine, Hex Head, #10-24 X 0.750 Slotted	4
19	22-01679-00	Receptacle 32 Amp/Bryant	1
20	69NT--41---892	Cover Assembly Transformer Module, Receptacle	1
21	42-00328-00	Gasket, 0.094 Thick X 3.60 X 5.74	1
22	69NT--43---282	Box Assembly, Transformer Module, CB2	1
23	34-06053-10	Washer, 0.138 ID X 0.343 OD	6
24	66-U---2--1531-3	Screw, Machine, Round Head, #6-32 X 0.375 Inches Long, SST	6
25	AU27JR171	Washer, Lock 1/4 Ext Tooth	1
26	66-U---1--5321-3	Washer, Plain 1/4 N Type A	1
27	34-00667-11	Nut, Self-Locking, 1/4-20	1
30	34-00928-02	Rivet, Blind, 0.125 Inch Diameter, 0.126-0.187	3
31	22-02319-05	Connector, Straight, 3/4 Hub	1
32	22-02319-06	Connector, Straight, 0.590/1.00 Inch Diameter	1
33	69NT--43---270	Box Assembly, Weld DV Transformer Module	1
34	34-06136-01	Nut, Lock, 3/4 NPT	1
35	34-06136-02	Nut, Lock, 1.00 NPT	1
38	69NT--35--1076	Label, On/Off (0.35 X 1.55)	1
39	69NT--35--1076-1	Label, CB2, 230V On/Off	1
40	66-U---2--1531-1	Boot, 2.66 X 2.97, Black	1
41	68-13961-00	Boot, Frame, 0.090 Thick Aluminum	1
42	10-00083-06	Circuit Breaker, 70A-250 VAC-50/60Hz	1
43	10-00083-07	Nut, Hex, 1/4-20	6
44	10-00083-08	Washer, Flat, 1/4 (Circuit Breaker)	12

## 23 Autotransformer

AUTOTRANSFORMER WITH DVM, TBU & CB2			
-	76-00667-12	Transformer Kit, Dvm, W/Tbu & Cb2 Field Installation - Includes:	1
7	58-04026-25	Protector 1.00 X 6.62, With Two Slots	1
8	69NT--35--2086	Spacer, 0.25 Thick Aluminum	1
9	34-00667-12	Nut, Self-Locking, 5/16-18	6
10	34-01181-01	Washer, Flat 0.320/0.330 ID	6
11	34-06053-02	Washer, 0.375 ID X 1.000 OD	4
12	69NT--40---914-4	Transformer Assembly	1
13	58-04026-17	Protector, 2.00 X 13.0, With Two Holes	2
14	69NT--43---374-1	Bracket Assembly	1
15	66-U---1--5371-7	Screw, Machine, Hex Head, #10-24 X 0.500 Slotted	4
16	66-U---1--5321-8	Washer, Plain #10 Type A	10
17	34-06053-05	Washer 0.205 ID X 0.600 OD	6
18	66-U---1--5371-6	Screw, Machine, Hex Head, #10-24 X 0.750 Slotted	4
19	22-01679-00	Receptacle 32 Amp/Bryant	1
20	69NT--41---892	Cover Assembly Transformer Module, Receptacle	1
21	42-00328-00	Gasket, 0.094 Thick X 3.60 X 5.74	1
22	69NT--43---282	Box Assembly, Transformer Module, CB2	1
23	34-06053-10	Washer, 0.138 ID X 0.343 OD	6
24	66-U---2--1531-3	Screw, Machine, Round Head, #6-32 X 0.375 Inches Long, SST	6
25	AU27JR171	Washer, Lock 1/4 Ext Tooth	1
26	66-U---1--5321-3	Washer, Plain 1/4 N Type A	1
27	34-00667-11	Nut, Self-Locking, 1/4-20	1
31	22-02319-05	Connector, Straight, 3/4 Hub	1
32	22-02319-06	Connector, Straight, 0.590/1.00 Inch Diameter	1
33	69NT--43---270-2	Box Assembly, Weld DV Transformer Module	1
34	34-06136-01	Nut, Lock, 3/4 NPT	1
35	34-06136-02	Nut, Lock, 1.00 NPT	1
45	69NT--35--1076	Label, On/Off (0.35 X 1.55)	1
46	69NT--35--1076-1	Label, CB2, 230V On/Off	1
47	66-U---2--1531-1	Boot, 2.66 X 2.97, Black	1
48	68-13961-00	Boot, Frame, 0.090 Thick Aluminum	1
49	10-00083-06	Circuit Breaker, 70A-250 VAC-50/60Hz	1
50	10-00083-07	Nut, Hex, 1/4-20	6
51	10-00083-08	Washer, Flat, 1/4 (Circuit Breaker)	12
52	12-00474-01	Box Assembly Transformer	1
53	42-00471-01	Gasket	1
54	34-06221-00	Screw, Hex Head 10-24 X 2.50	2

77-01699-05

## 24 Heaters



77-01614

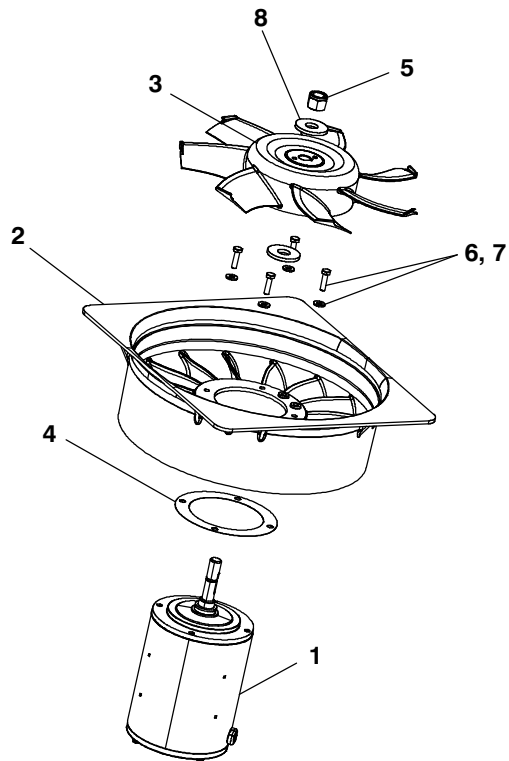
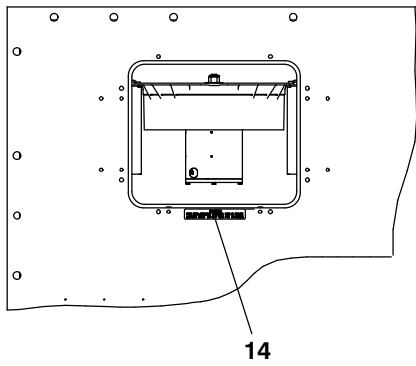
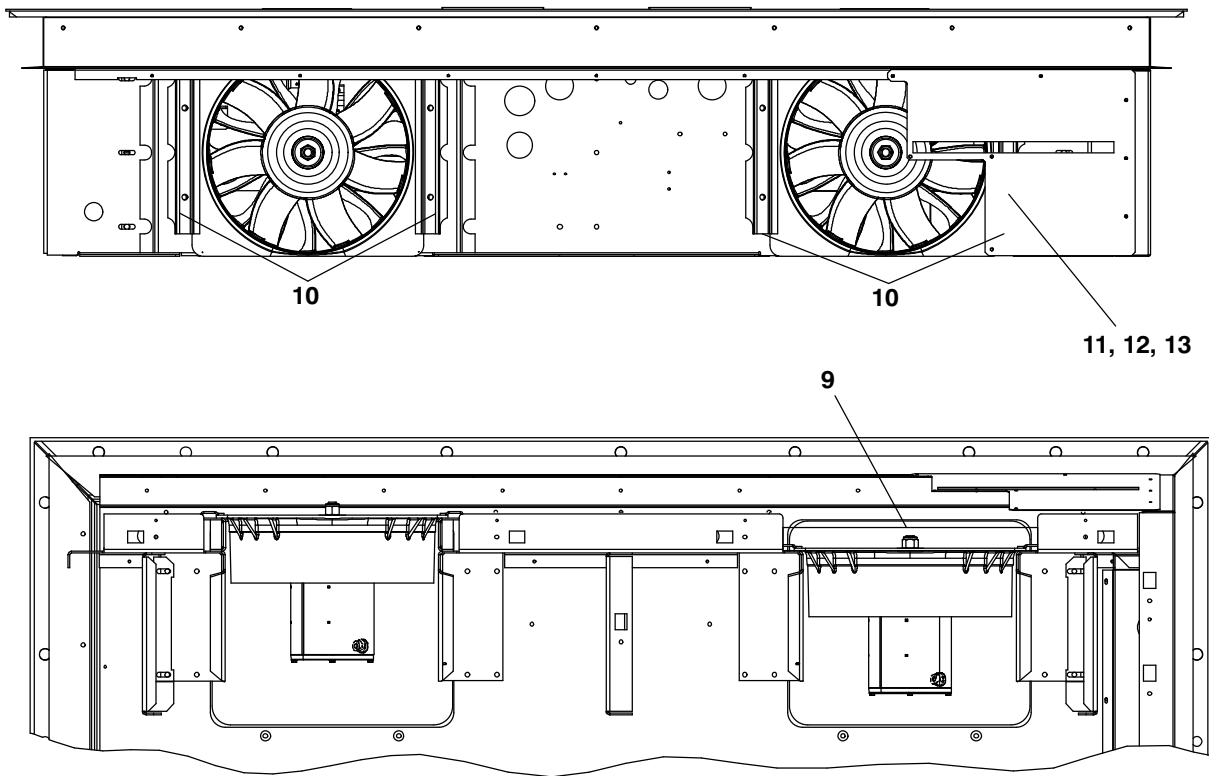
Item	Part Number	Description	Qty
1	24-66603-00	Defrost Heater	6
2	86-04956-00	Retainer Assembly	1
3	69NT--35--2692-1	Washer, Fender 1/4-.993-1.015 OD	1
4	34-00655-12	Screw, Cap Hex Head 1/4-20 X 1.50	2
5	34-00663-11	Washer, Lock 1/4 Spring	3
6	34-00655-10	Screw, Cap Hex Head 1/4-20 X 1.25	1
7	68-16894-00	Bracket	1
8	66-U---1--5321-3	Washer, Plain 1/4 N Type A	2

77-01614-00





# 25 Evaporator Fan and Motor



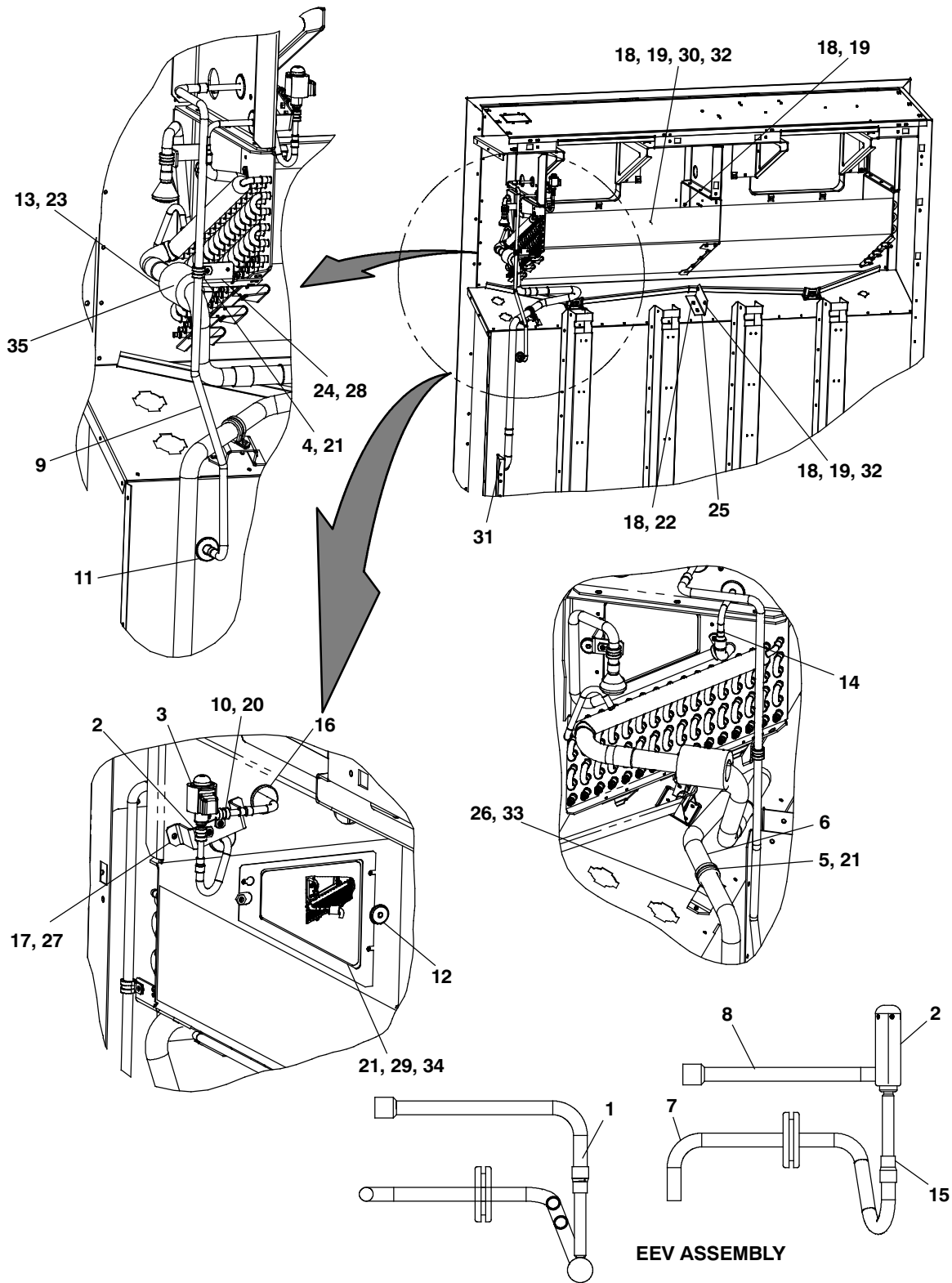
77-66667

## 25 Evaporator Fan and Motor

Item	Part Number	Description	Qty
1	54-00648-20	Evaporator Motor	2
2	48-00413-01	Stator	2
3	38-00599-00	Evaporator Fan	2
4	58-04770-00	Protector	2
5	34-00795-17	Nut, Self Lock	2
6	34-06165-08	Screw, Cap Hex Head 1/4-20X1.00	8
7	66-U---1--5321-3	Washer, Plain 1/4 N Type A	8
8	34-00616-06	Washer, Special 5/8, 18-8	4
9	66-U---1--2552-185	Gasket .75 Thick X 1.5X16.63	1
10	69NT--43---295	Bracket Assembly	4
11	34-00655-08	Screw, Cap Hex Head 1/4-20 X 1.00	4
12	34-00663-11	Washer, Lock 1/4 Spring	4
13	69NT--35--2692-1	Washer, Fender 1/4	4
14	62-11602-00	Label Motor	2

77-66667-01, 04

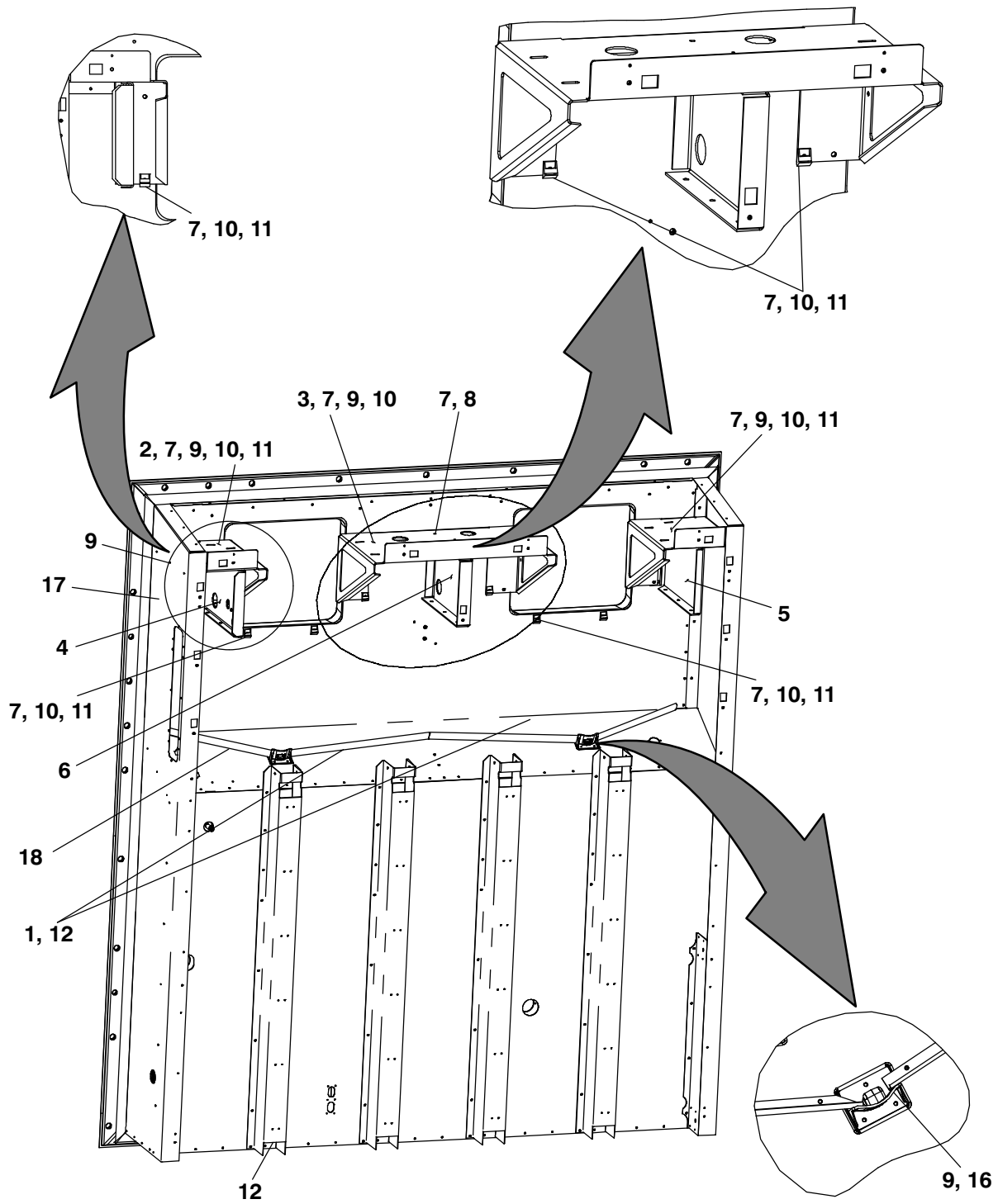
# 26 Evaporator Tubing and Coil



## 26 Evaporator Tubing and Coil

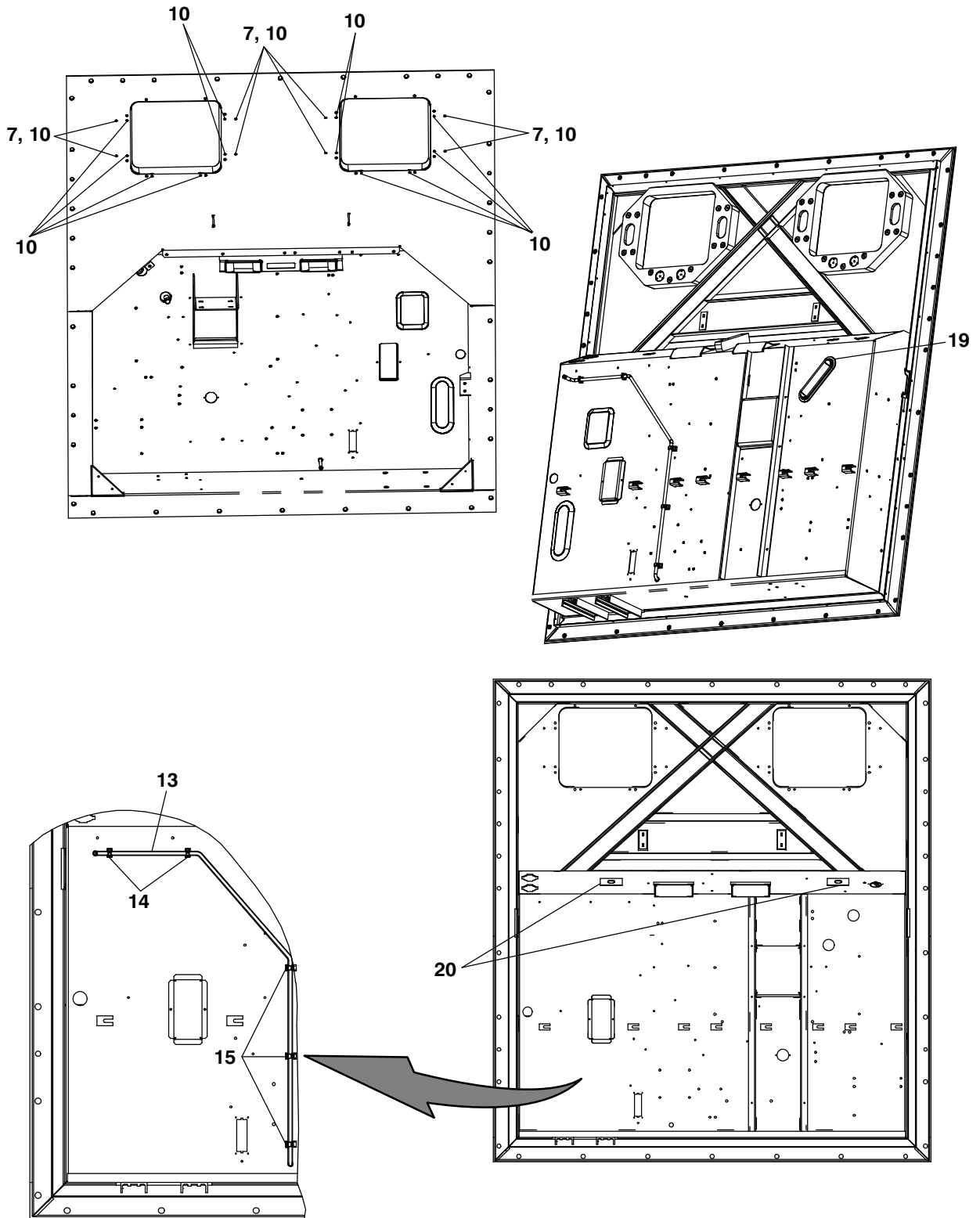
Item	Part Number	Description	Qty
1	14-00176-01	Strainer 100 Mesh, 3/8 OD	1
2	14-00393-00SV	Valve, EEV	1
3	14-00393-10	Coil, EEV	1
2	14-00435-00	Valve, EEV (for PIDs NT2591, NT2751, NT2756, NT2771, NT2806)	1
3	14-00435-10	Coil, EEV (for PIDs NT2591, NT2751, NT2756, NT2771, NT2806)	1
4	44-00370-03	Clamp, Cushioned	1
5	44-00370-08	Clamp, Cushioned	1
6	56-09195-00	Tube, Suction 1-1/8 OD X .050	1
7	56-09141-00	Tube 3/8 OD X .028	1
8	56-09087-00	Tube, Liquid 3/8 OD X .028	1
9	56-09160-00	Tube, Liquid .500 OD X .035	1
10	34-00373-52	Clamp, Tube	2
11	58-00065-56	Grommet Neoprene	1
12	58-00065-46	Grommet	1
13	42-00425-109	Insulation, Tube Pre-Taped	1
14	40-66629-00	Bushing 5/8 X 3/8	1
15	40-66628-03	Coupling 3/8C X 5/16	2
16	58-00065-91	Grommet	2
17	66-U---1--5371-6	Screw, Machine Hex Head #10-24 X 0.750 Slt'd	2
18	66-U---1--5321-3	Washer, Plain 1/4 N Type A	15
19	66-U---1--5361-25	Screw, Cap Hex Head 1/4-20 X 0.75	13
20	66-U---1--5371-7	Screw, Machine Hex Head #10-24 X 0.500	2
21	66-U---1--5381-1	Screw, Hex Head #10-24 X.75L	5
22	34-06269-12	Screw, Lag 1/4-10 X 1.50 Hex Head	2
23	66-U---1--3882-3	Wire Tie	2
24	66-U---1--5381-3	Screw, Hex Head Slt'd #10-24 X0.63L	2
25	68-16893-00	Bracket	1
26	68-17190-00	Bracket	1
27	68-16892-00	Bracket	1
28	68-16715-00	Bracket	1
29	68-17089-00	Plate, Cover	1
30	74-66674-00	Install Kit for Evaporator Coil Assembly (PIDs < 8000) - Includes:	1
	81-04186-20	Evaporator Coil Assembly	1
	81-04266-00	Evaporator Coil Assembly (PrimeLINE ONE, PIDs ≥ 8000)	1
31	42-00183-08	Trim, Flexible	1
32	34-00663-11	Washer, Lock 1/4 Spring	11
33	34-00928-09	Rivet, Blind	2
34	62-11750-00	Label Sensor Replacement	1
35	12-00500-01SV	Sensor, Evaporator (ETS1 & ETS2)	1

# 27 Frame Kit



77-01690

# 27 Frame Kit



77-01690

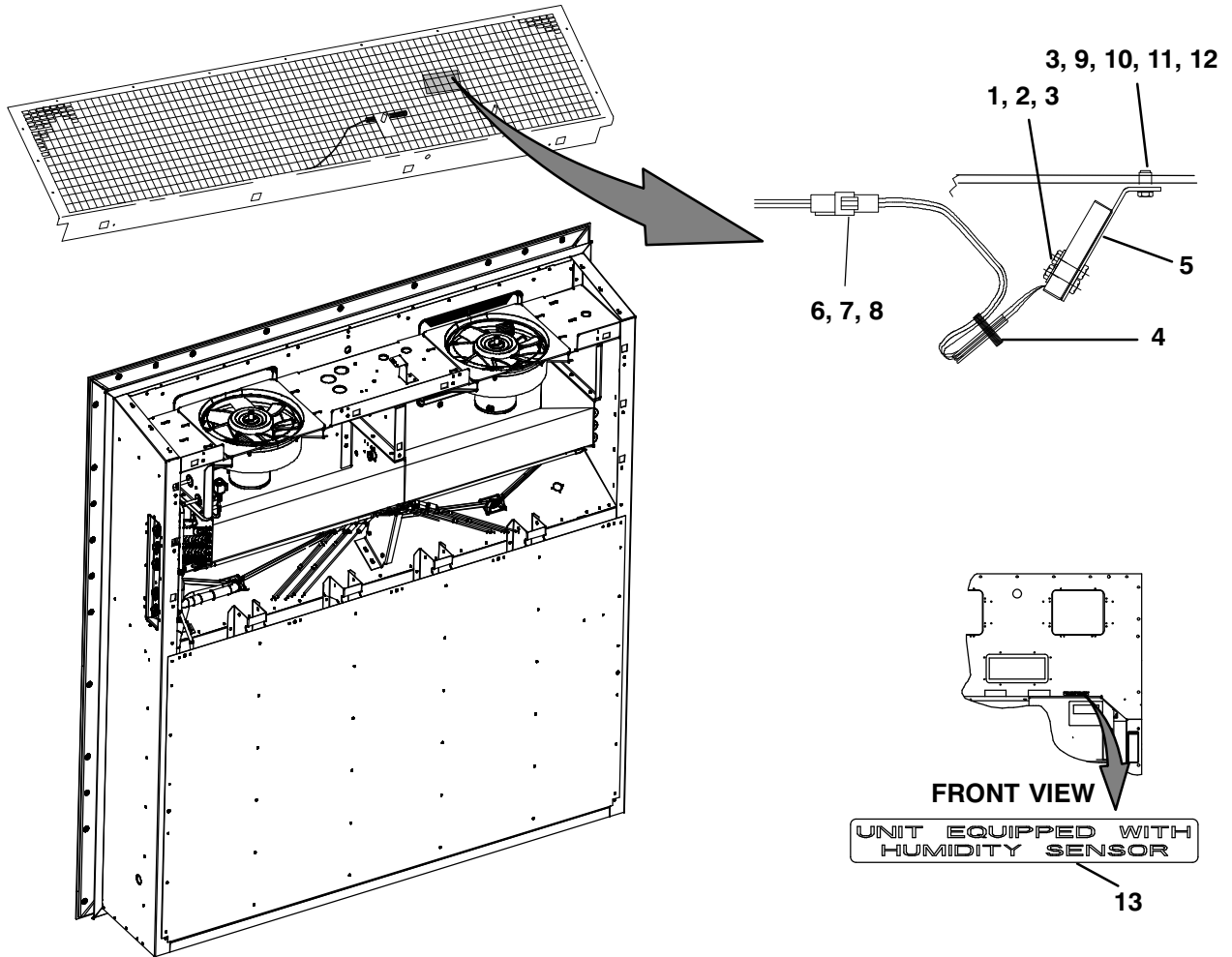
**27 Frame Kit**

Item	Part Number	Description	Qty
1	68-17345-00	Gutter	2
2	68-16696-00	Fan Deck	1
3	68-17419-00	Fan Deck Assembly	1
	68-17419-01	Fan Deck Assembly (No Extend Fresh Option)	1
4	68-16891-00	Panel	1
5	68-16767-00	Panel Assembly	1
6	68-17145-00	Panel Assembly	1
7	66-U---1--5321-3	Washer, Plain 1/4 N Type A	35
8	66-U---1--5361-25	Screw, Cap Hex Head 1/4-20 X 0.75	9
9	34-00928-09	Rivet, Blind	19
10	34-00655-10	Screw, Cap Hex Head 1/4-20 X 1.25	32
11	69NT--35--2692-1	Washer, Fender 1/4	11
12	34-00928-07	Rivet, Blind	159
13	56-09065-00	Tube, Liquid	1
14	44-66608-00	Clip, Retaining	2
15	44-66608-01	Clip, Retaining	3
16	58-04968-00	Fitting Drain Tube, 45 Degree	2
17	68-17201-00	Channel .063 Thick Aluminum	1
18	68-17188-00	Gutter .040 Thick Aluminum	1
19	58-04990-00	Fitting Drain	1
20	42-00570-00	Gasket	2

77-01690-00, 02



## 28 Humidistat Kit

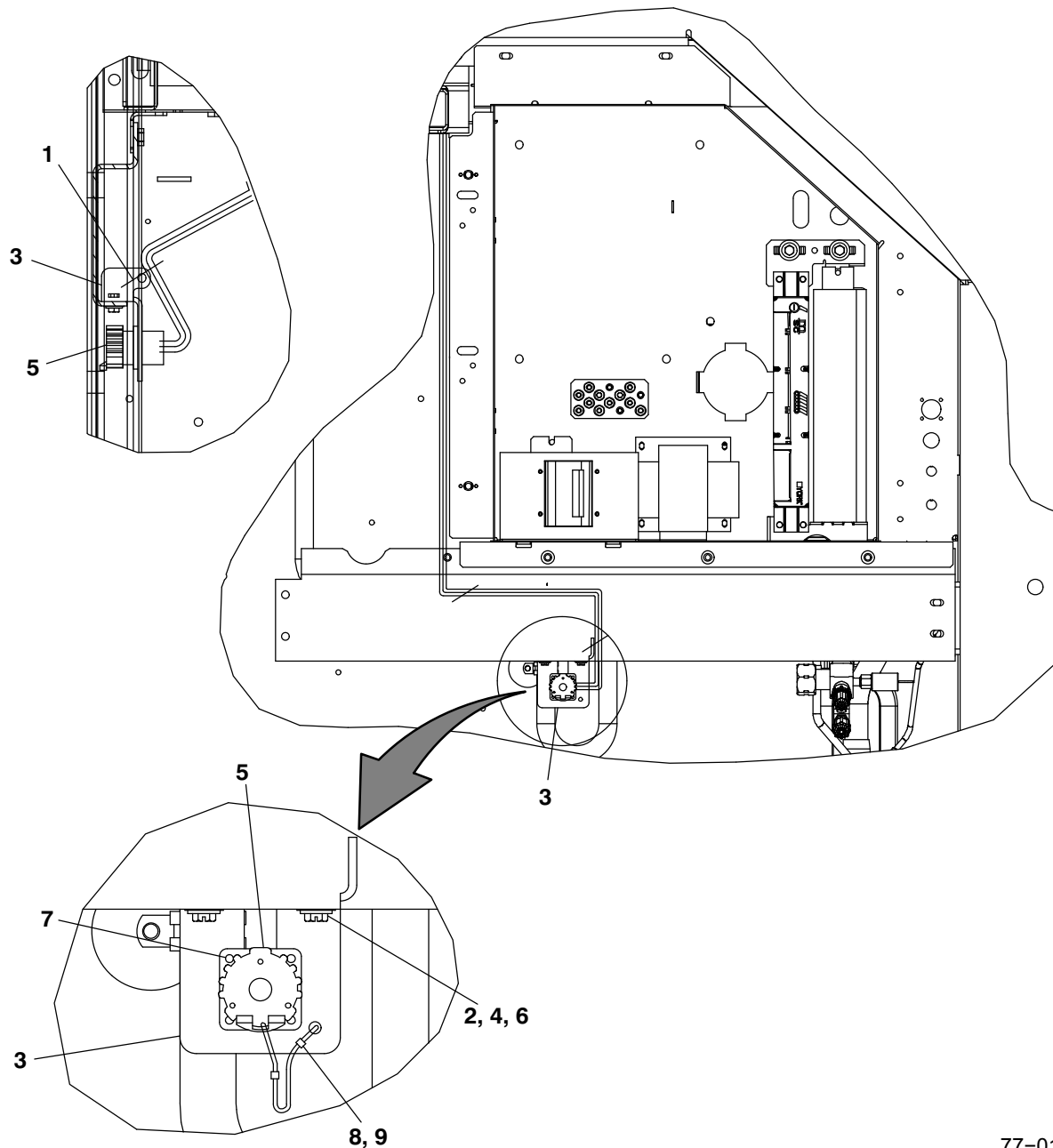


77-01009

Item	Part Number	Description	Qty
1	12-00686-00	Humidity Sensor	1
2	66-U---1--5371-10	Screw, Machine Hex Head #10-24 X 1.00	4
3	66-U---1--5321-8	Washer, Plain #10 Type A	4
4	66-U---1--3882	Wire Tie	1
5	68-13181-01	Bracket Assembly Humidity Sensor	1
6	22-01613-06	Plug 3 Pin	1
7	22-01613-07	Lock, Secondary 3 Pin (P)	1
8	22-01613-13	Contact Socket	3
9	AU27JR131	Washer, Lock #10 Ext Tooth	2
10	34-06051-32	Rivnut	2
11	66-U---1--5371-7	Screw, Machine Hex Head #10-24 X 0.500	2
12	66-U---1--5321-7	Washer, Plain 1/4 W Type A	2
13	69NT--35--3907	Label Humidity Sensor	1

77-01009-11

## 29 Interrogator Receptacle

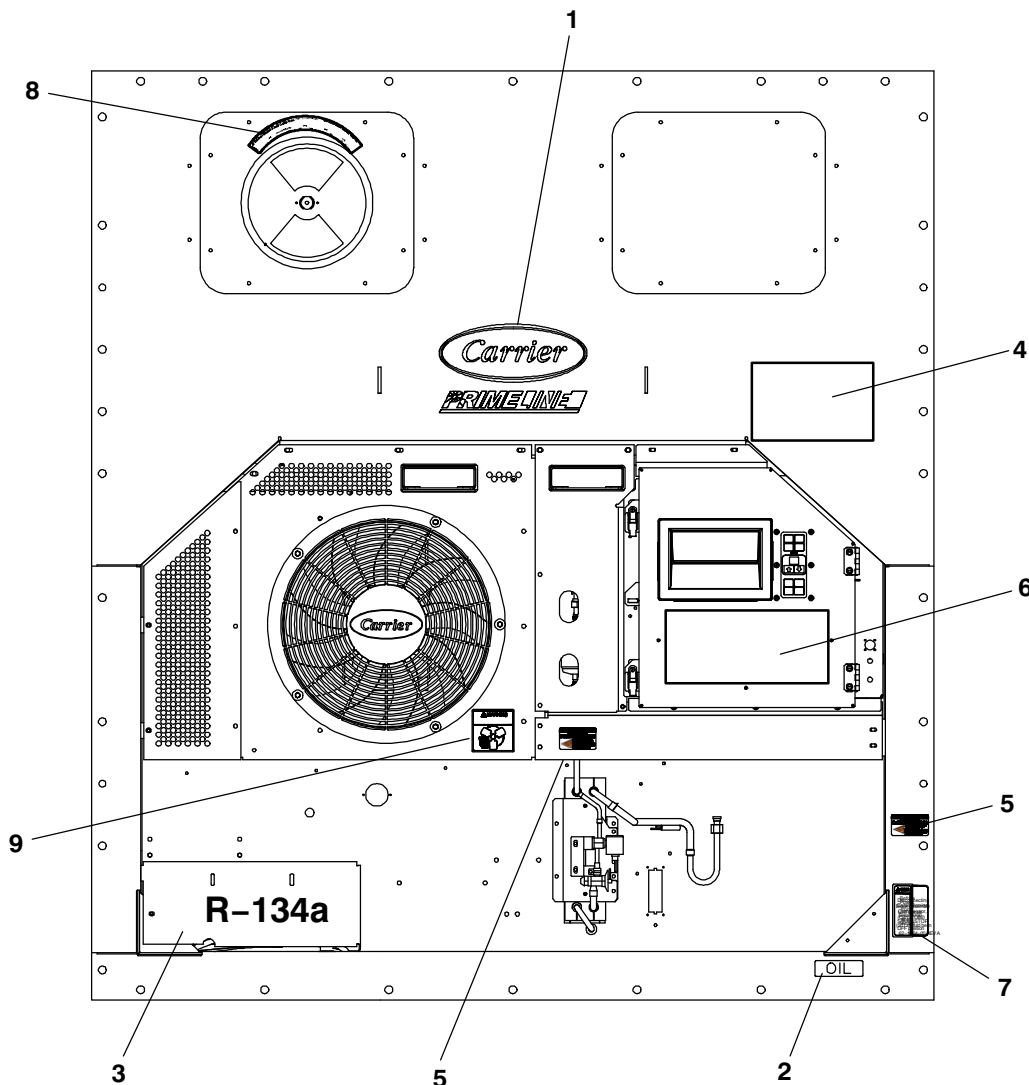


77-01608

Item	Part Number	Description	Qty
1	66-U---1--3882	Wire Tie 1/16-1-3/4	4
2	66-U---1--5321-8	Washer, Plain #10 Type A	2
3	68-17021-00	Bracket	1
4	66-U---1--5371-7	Screw, Machine Hex Head #10-24 X 0.500	2
5	22-01660-05	Dust Cap	1
6	34-06053-05	Washer .205 ID X .600 OD	2
7	34-06142-00	Rivet	4
8	58-01097-00	Cord, Nylon	1
9	22-02205-00	Connector	2

77-01608-01

### 30 Labels and Decals

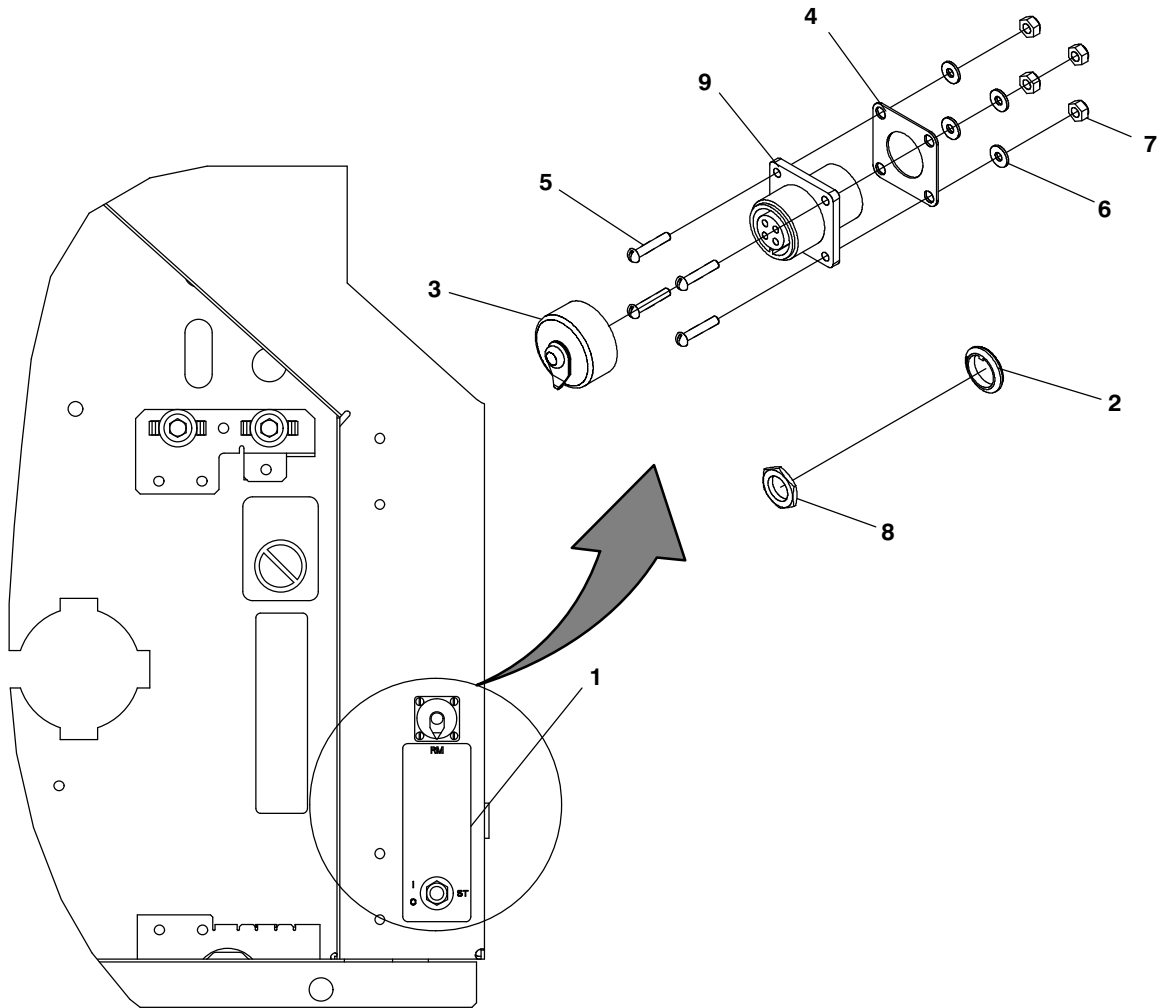


77-01691

Item	Part Number	Description	Qty
1	62-11424-00	Label, Carrier	1
2	62-11263-02	Label, Poe Compressor Oil	1
3	62-11252-00	Label, R-134A	1
4	62-66682-01	Label, Pti	1
5	62-66081-00	Label, Warning Refrig (R-134A)	2
6	62-11739-00	Label, Code-Ctn (English)	1
	62-11739-03	Label, Code-Ctn (English, Traditional Chinese)	1
	62-11739-04	Label, Code-Ctn (English, Traditional Chinese, Japanese)	1
7	62-11264-01	Label, Compressor Warning	1
8	62-02723-21	Label Upper Fresh Air	1
9	62-11735-04	Label Fan Warning	1

77-01690-00, 03, 04, 05

# 31 Panel Kit

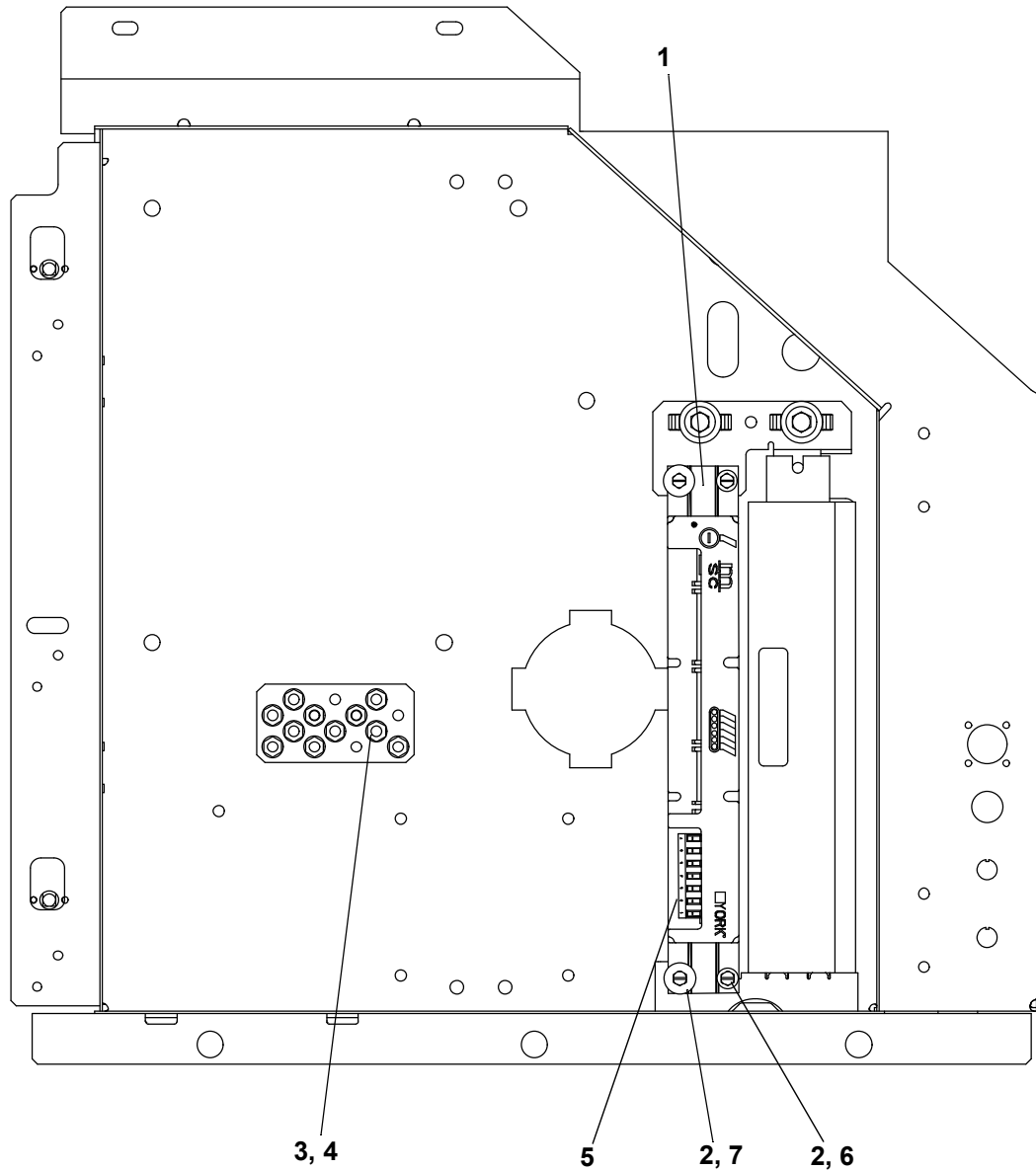


77-01716

Item	Part Number	Description	Qty
1	62-11731-01	Label St, Rm/Switch	1
2	66-U---1--9752	Seal	1
3	22-02341-01	Cap & Tether Receptacle Assembly	1
4	MS510074	Gasket	1
5	34-00848-10	Screw, Machine	4
6	66-U---1--5321-6	Washer, Plain .125 ID Type A	4
7	34-00667-05	Nut, Self Lock	4
8	10-01129-20	Nut, Hex 15/32-32	1
9	22-01604-00	Receptacle 4 Connections	1
<b>NO RM RECEPTACLE</b>			
1	62-11731-00	Label St, Rm/Switch	1
2	66-U---1--9752	Seal	1
8	10-01129-20	Nut, Hex 15/32-32	1

77-01716-00, 01

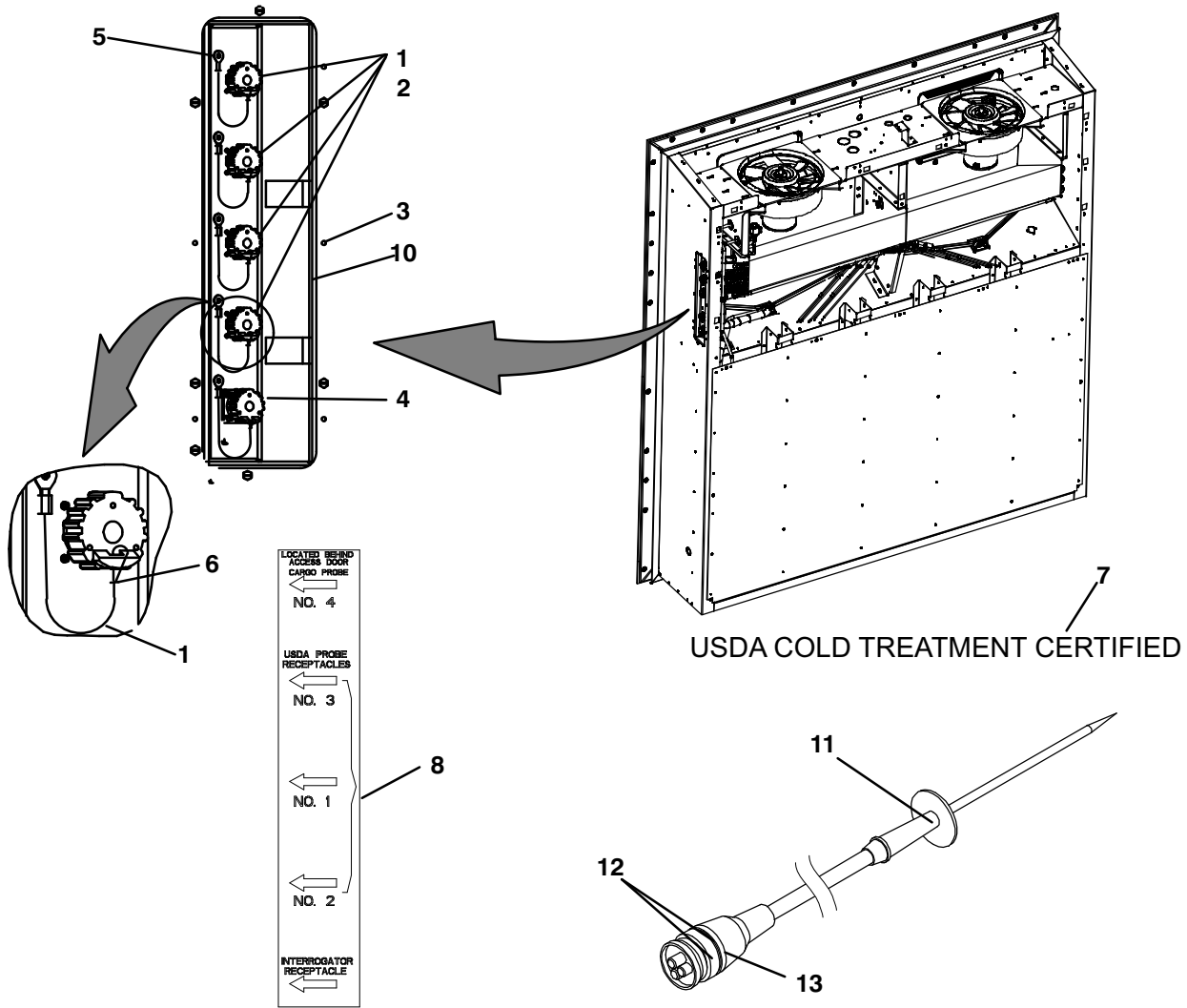
## 32 Remote Monitoring Unit (RMU) Kit



77-01517

Item	Part Number	Description	Qty
1	12-00573-03SV	RMU Module	1
2	66-U---1--5371-7	Screw, Machine Hex Head #10-24 X .500	4
3	AT39JA171	Nut, Hex 43834	2
4	AU27JR171	Washer, Lock 1/4 Ext Tooth	2
5	22-01556-00	Connector	1
6	66-U---1--5321-8	Washer, Plain #10 Type A	2
7	69NT--35--2692-4	Washer, Fender #10-.743-.765 OD	2
8	58-00079-01	Sta-Strap	4

77-01517-00

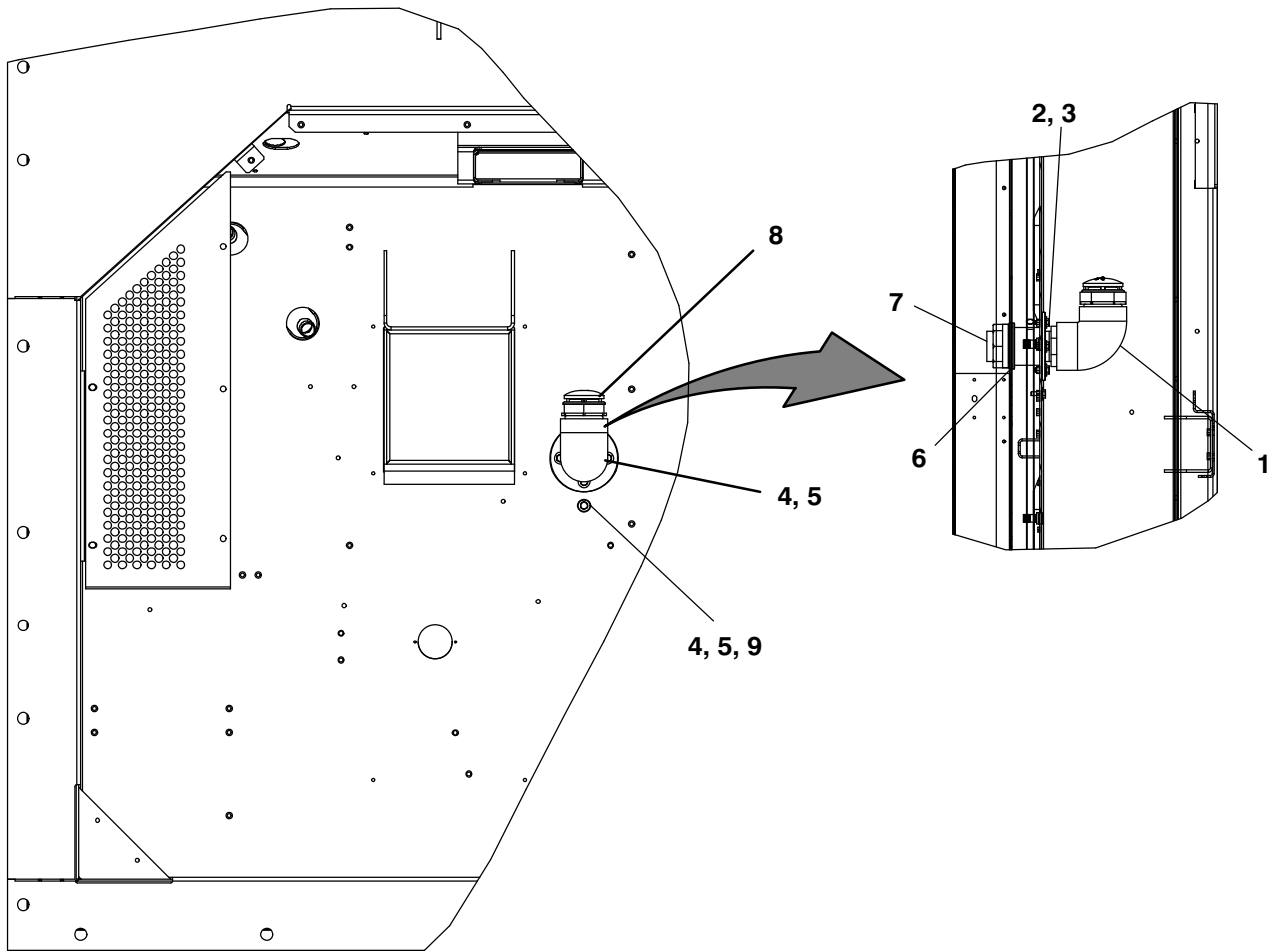


77-01651

Item	Part Number	Description	Qty
1	69NT--35---636-1	Tether Assembly	5
2	22-01660-02	Cap, Dust, (3-Pin Receptacle)	4
3	66-U---1--5371-7	Screw, Machine, Hex Head, #10-24 X 0.500 Slotted	6
4	22-01660-05	Cap, Dust (5-Pin Receptacle)	1
5	34-06142-00	Rivet, 0.110 Inch Diameter, 0.126-0.250	25
6	22-02205-00	Connector Splice, Non-Insulated	5
7	62-11275-00	Label, USDA Cold Treatment Certified	1
8	62-11729-00	Label, USDA	1
9	66-U---1--3882	Wire Tie, 1/16-1-3/4, Self-Locking	4
10	68-17023-00	Panel	1
<b>USDA PROBE KIT</b>			
11	12-50089-00	Sensor Assembly, 600 Inches Long (15M) (USDA Probe) - Includes:	A/R
12	22-50127-00	Plug, Socket (PR1, PR2, PR3, Cargo Probe 4)	1
13	22-01613-15	Contact, Socket, #16	A/R

77-01651-00

### 34 Vacuum Relief Valve

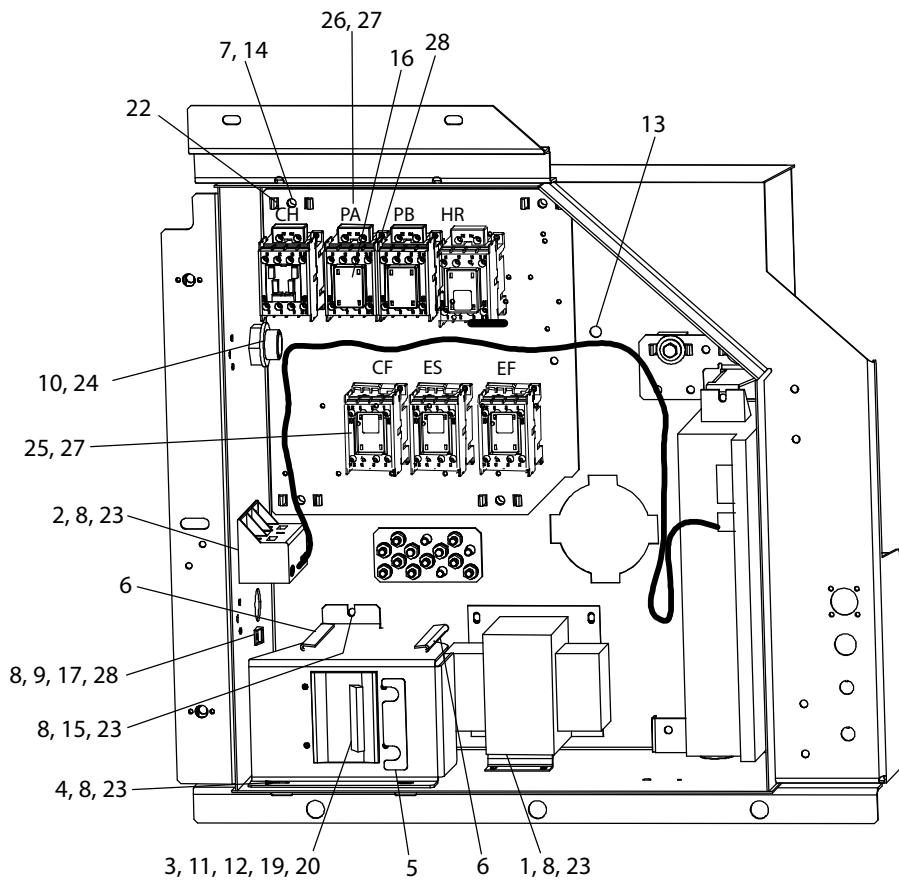
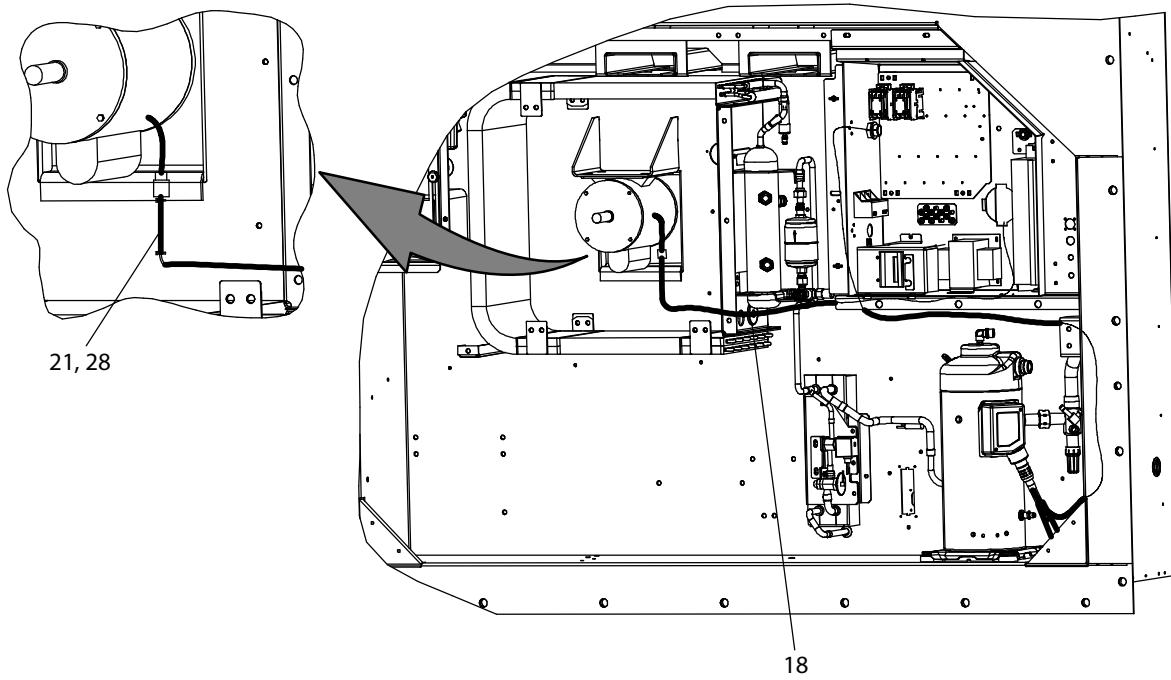


77-01742

Item	Part Number	Description	Qty
1	58-04127-06	Elbow, Schedule 80	1
2	58-04127-00	Tube, Flanged, Plastic	1
3	58-04127-07	Collar	1
4	66-U---1--5321-7	Washer, Plain, 1/4	A/R
5	66-U---1--5361-25	Screw, Hex Head, 1/4-20 X 0.75	A/R
6	58-00065-72	Grommet	1
7	58-04127-05	Coupling, Schedule 80	1
8	40-66615-00	Vacuum Relief Valve	1
9	34-06053-00	Washer, Plain, 0.25 ID X 0.80 OD	8

77-01742

# 35 Wiring Kit



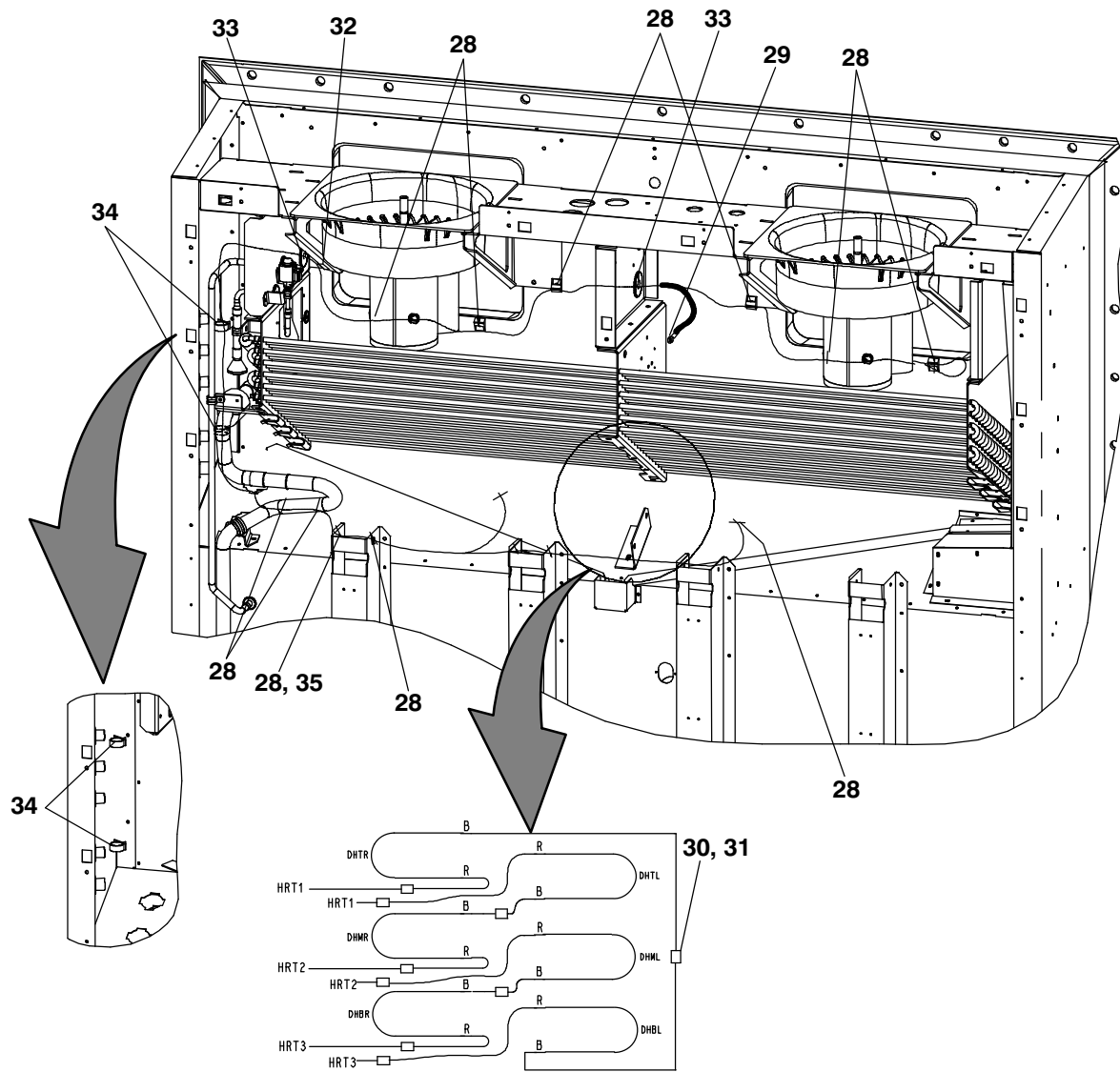
77-01665



### 35 Wiring Kit

Item	Part Number	Description	Qty
1	10-00332-21SV	Transformer	1
2	10-00439-01	Transformer, Current Sensing	1
3	66-U---1--7842-12	Circuit Breaker 3 Pole, 600 Volt	1
4	68-17405-00	Bracket	1
5	69NT--35--9073-1	Label CB1	1
6	66CH---1--1172-28	Trim, Flexible 6.00 Long	2
7	34-00655-08	Screw, Cap Hex Head 1/4-20 X 1.00	4
8	66-U---1--5371-7	Screw, Machine Hex Head #10-24 X 0.500	12
9	34-00663-09	Washer, Lock #10 Spring	1
10	66-U---1--7352-3	Connector Straight	1
11	66-U---1--6651-19	Screw, Machine Pan Head #6-32	4
12	34-00663-07	Washer, Lock #6 Spring	4
13	34-00655-04	Screw, Cap Hex Head 1/4-20 X 0.50	1
14	66-U---1--5321-7	Washer, Plain 1/4 W Type A	4
15	34-06053-14	Washer	1
16	10-00431-11	Cover Contactor	2
17	58-04246-00	Ty-Rap Base	1
18	58-00065-93	Grommet	1
19	66-U---1--7842-6	Nut, Hex	6
20	66-U---1--7842-7	Washer, Flat #10-32	12
21	58-00848-12	Tube, Slit 1/2 ID X 27 Lg Corr	1
22	58-00967-00	Spacer Locking (Sub-panel)	4
23	66-U---1--5321-8	Washer, Plain #10 Type A	11
24	66-U---1--1251-2	O-Ring 3/4 Hub Sealing	1
25	10-00431-00	Contactor 12 Amp (HR, CF, ES, EF)	4
26	10-00431-01	Contactor 30 Amp (PA, PB, CH)	3
27	10-00431-08	Contactor Cover	7
28	10-00392-20	Interlock Contactor	
			77-01655-00

# 35 Wiring Kit



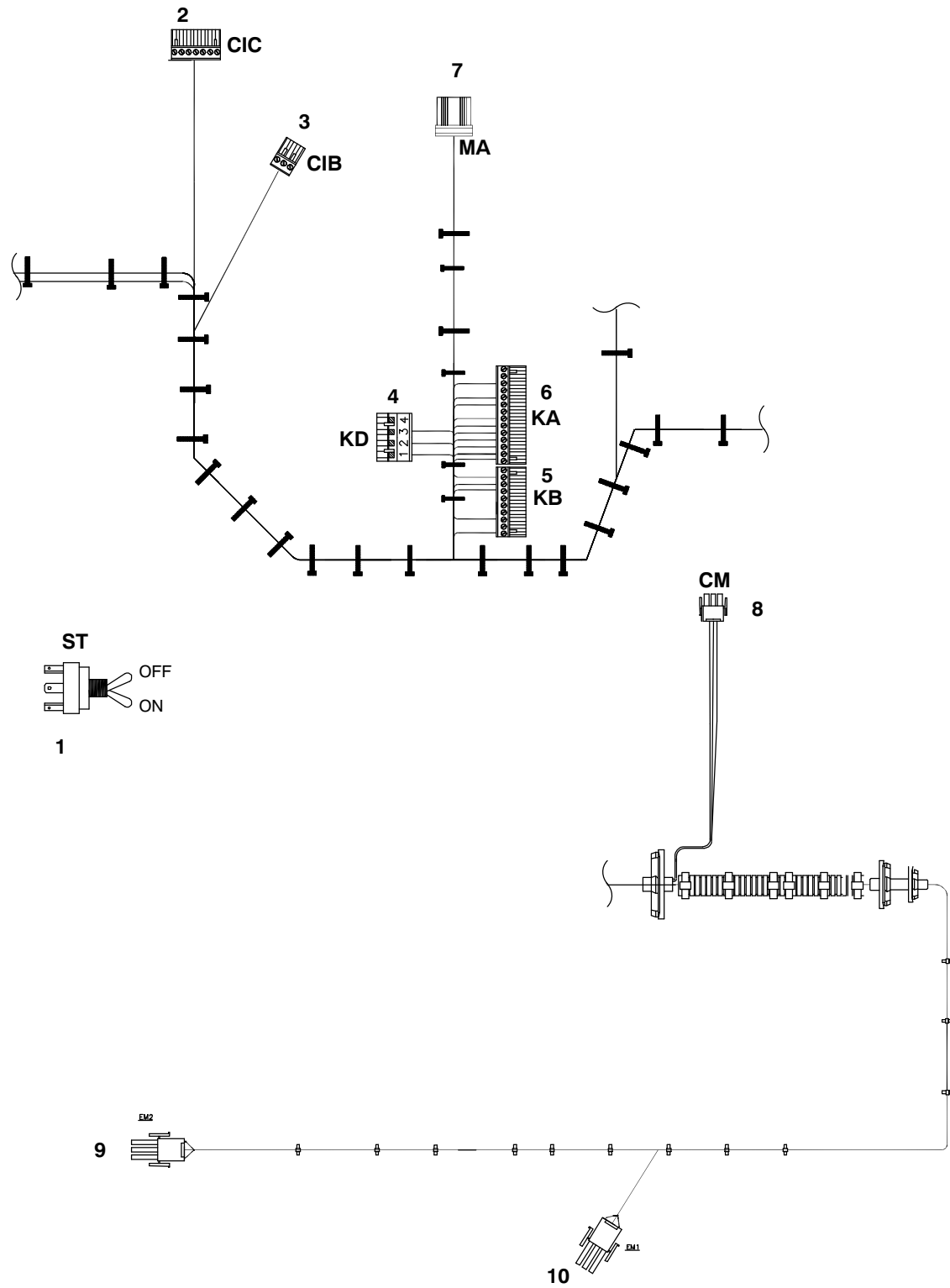
77-01665

Item	Part Number	Description	Qty
28	66-U---1--3882	Wire Tie 1/16-1-3/4 Self locking	44
29	34-01178-22	Screw, Hex Head #8-32 X .50L	1
30	66-U---1--3803	Tube, Heat Shrink .25 X 2.12 Blk	12
31	22-01292-02	Butt Splice	12
32	66CH---1--1172-2	Trim, Flexible 2.00 Lg	1
33	58-04273-00	Grommet	2
34	44-00361-00	Clip, Retaining	5
35	66CH---1--1172-32	Trim, Flexible 2.25 Long	6

77-01655-00



# 36 High Voltage Harness



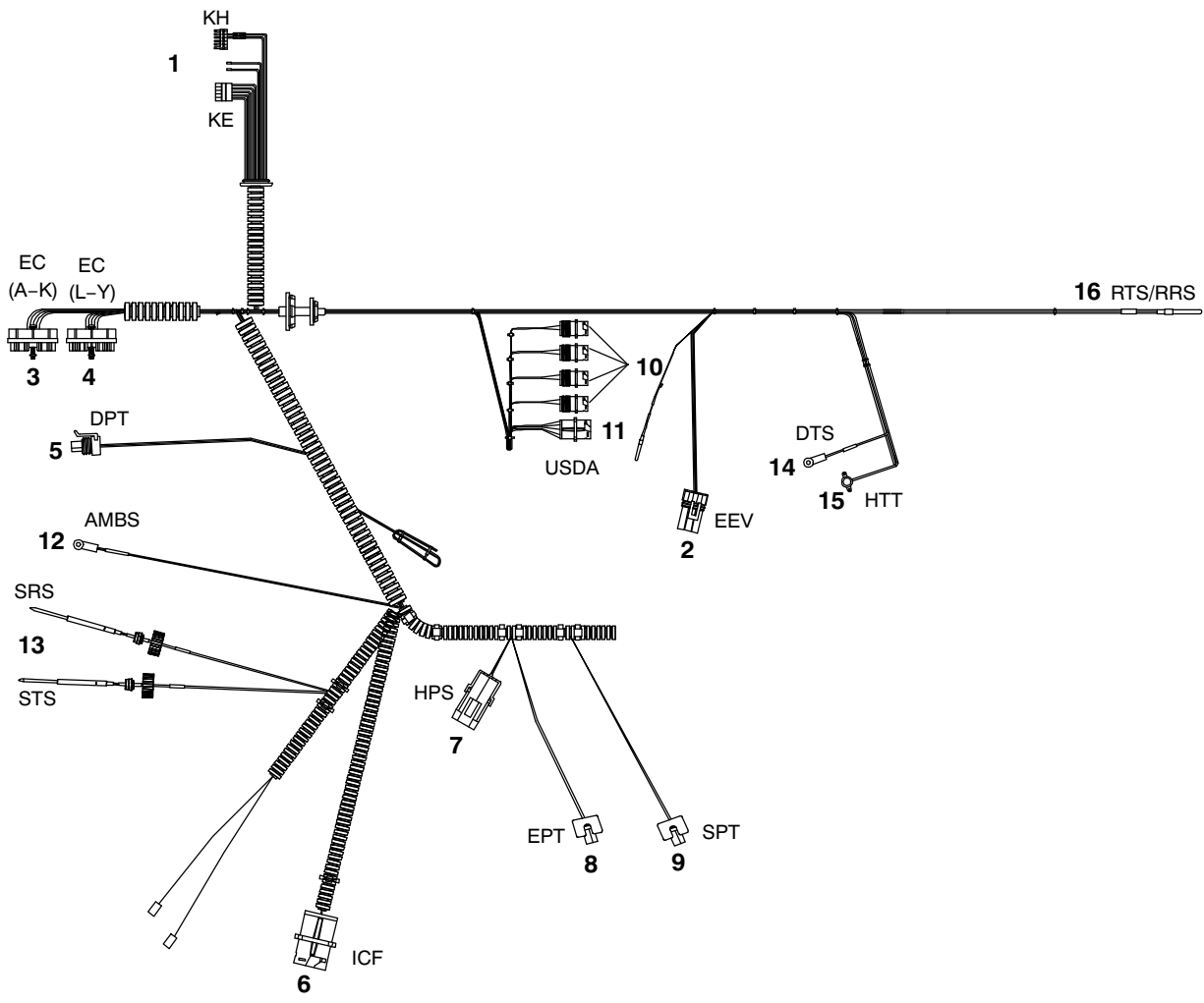
77-00438

### 36 High Voltage Harness

Item	Part Number	Description	Qty
1	10-01129-11	Switch, Toggle, Start/Stop (ST)	1
	91-00438-08	High Voltage Harness - Includes:	
2		<b>CIC</b> - Includes:	
	22-01556-06	Block	
	22-02324-09	Terminal	
3		<b>CIB</b> - Includes:	
	22-01556-04	Block	1
4		<b>KD</b> - Includes:	
	22-04031-00	Block	1
	22-04032-00	Terminal	4
5		<b>KB</b> - Includes:	
	22-01556-01	Block	1
	22-01735-00	Terminal	5
6		<b>KA</b> - Includes:	
	22-01556-02	Block	1
	22-01735-00	Terminal	10
7		<b>MA</b> - Includes:	
	22-01622-01	Block	1
	22-01622-03	Terminal	5
8		Condenser Fan Motor (CM) - Includes:	
	22-01997-12	Plug CM	1
	22-01997-06	Terminal	4
	22-01997-08	Sealing Plug	3
	22-01997-13	Wire Seal	1
	22-01997-14	Interface Seal	1
9		Evaporator Fan Motor 2 (EM2) - Includes:	
	22-01997-20	Plug, EM2	1
	22-01997-06	Terminal	7
	22-01997-08	Sealing Plug	3
	22-01997-21	Wire Seal	1
	22-01997-22	Interface Seal	1
10		Evaporator Fan Motor 1 (EM1) - Includes:	
	22-01997-20	Plug, EM1	1
	22-01997-06	Terminal	5
	22-01997-08	Sealing Plug	2
	22-01997-21	Wire Seal	1
	22-01997-22	Interface Seal	1

77-00438-08

# 37 Low Voltage Harness



22-04276

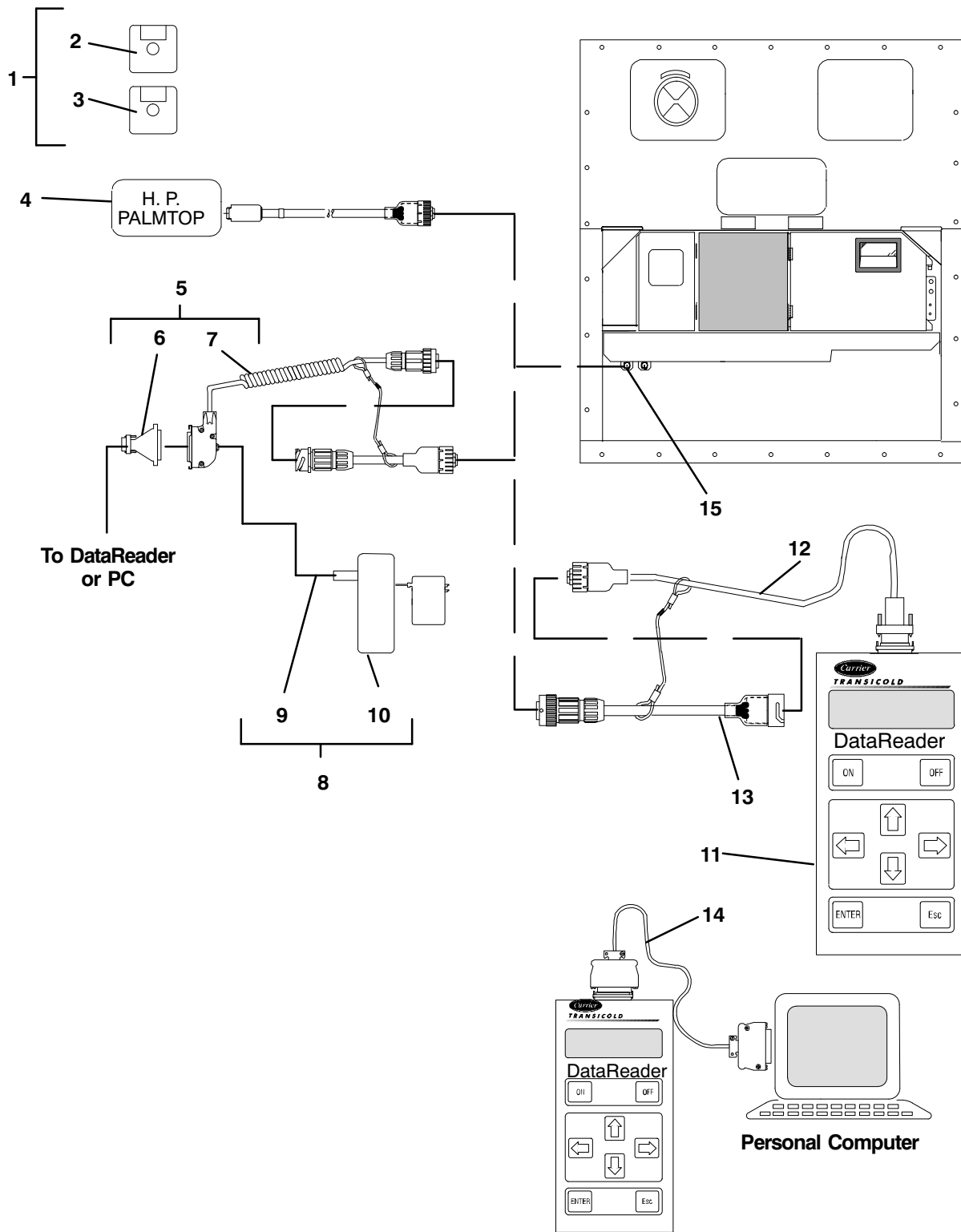
Item	Part Number	Description	Qty
	22-04276-02	Harness Low Voltage includes:	
1	22-66656-33	Harness (KH-KE-EEV) Includes	
		KH - Includes:	
	22-04016-00	Block	1
	22-01735-00	Terminal	2
		KE - Includes:	
	22-04031-01	Connector	1
	22-04032-00	Terminal	5
2		Electronic Expansion Valve ( <b>EEV</b> ) - Includes:	
	22-01835-00	Block	1
	22-01566-01	Terminal	5
	22-02394-02	Cable Seal	5
3		EC (A-K) - Includes:	
	22-01777-06	Seal	4
	22-01777-07	Retainer	2
	66-U---1--6651-24	Screw Pan Head 10-24-1.50 Inch Long SST	1

### 37 Low Voltage Harness

	22-01777-00	Connector	1
	22-01777-03	Terminal	21
	22-01777-02	Seal	4
4		EC(L-Y) - Includes:	
	22-01777-06	Seal	4
	22-01777-07	Retainer	2
	66-U---1--6651-24	Screw Pan Head 10-24-1.50 Inch Long SST	1
	22-01777-00	Connector	1
	22-01777-03	Terminal	21
5		Discharge Pressure Transducer ( <b>DPT</b> ) - Includes:	
	22-02448-00	Block	1
	22-01777-03	Terminal	3
6		ICF	
	22-01660-03	Block	1
	22-01613-14	Terminal	5
7		High Pressure Switch ( <b>HPS</b> ) - Includes:	
	22-02392-00	Block	1
	22-02393-01	Terminal	2
	22-02394-00	Seal	2
8		Evaporator Pressure Transducer ( <b>EPT</b> ) - Includes:	
	22-01944-00	Block	1
	22-01944-10	Gasket	1
	22-01944-05	Cap	1
	22-01777-03	Terminal	3
9		Suction Pressure Transducer ( <b>SPT</b> ) - Includes:	
	22-01944-00	Block	1
	22-01944-10	Gasket	1
	22-01944-05	Cap	1
	22-01777-03	Terminal	3
10		USDA - Includes:	
	22-01660-00	Connector	4
	22-01613-12	Terminal	8
	22-01614-06	Plug	4
11		USDA - Includes:	
	22-01660-03	Connector	1
	22-01613-12	Terminal	5
12	12-00495-00	Thermistor, Ambient (AMBS)	1
13	12-00395-01SV	Thermistor, Supply Recorder Sensor (SRS) / Supply Temp Sensor (STS)	2
14	12-00495-01	Thermistor, Defrost (DTS)	1
15	12-00170-08	Thermistor, Evaporator Defrost (HTT)	1
16	12-00500-01SV	Thermistor, Combo / Return (RTS / RRS)	1

22-04276-02

# 38 Interrogator Accessories - DataLINE / DataReader





### 38 Interrogator Accessories - DataLINE / DataReader

Item	Part Number	Description	Qty
1	07-00406-00	Disk Kit, DataLine ( <b>SEE NOTE</b> ) - Includes:	1
2	12-00413-05SV	Software, DataLine <b>NSS</b>	1
3	12-00528-00	Software, DataLine (Scroll) <b>NSS</b>	1
4	22-01737-02	Cable, H. P. PalmTop	1
5	76-50059-00	Kit, Cable, With Adapter - Includes:	1
6	22-02418-02	Cable, Interrogator	1
7	22-02420-00	Adapter	1
8	76-50058-00	Kit, Battery, With Cable - Includes:	1
9	NSS	Battery, External, With Battery Charger	1
10	22-02401-00	Cable	1
11	No Longer Offered	DataReader	-
12	22-01737-00	Cable, Download	1
13	22-01737-01	Cable, Adapter	1
14	22-01743-00	Cable, Upload	1
15	-	Receptacle	-

**39 Tools**

<b>Item</b>	<b>Part Number</b>	<b>Description</b>	
1	07-00176-11	Vacuum Pump, Dual Voltage/Dual Frequency	
2	07-00375-00	Stepper Motor Drive Tester	
3	07-00408-00	Stepper Jumper Assembly	
4	07-00462-00	Temperature Tester, 4-Lead	
5	07-00477-00	Inspection Mirror	
6	07-00228-00	Multimeter, Digital	
7	07-00229-00	Amprobe Clamp (Used with 07-00228-00)	
8	07-00238-00	Wrench, Service Valve	
9	07-00243-10	Multimeter, Digital (Fluke)	
10	07-00277-00	Kit, Static Dissipative (Used for Working on Electronic Components)	
11	07-00304-00	Ground Strap, Wrist (Used for Working on Electronic Components)	
12	07-00294-00	Gauge Set, Manifold - Fahrenheit / PSI	
13	07-00294-05	Gauge Set, Manifold - Centigrade / KPa	
14	07-00295-00	Detector, Leak	
15	07-00397-03	Extractor, Pin (Used on Fan Motor Plugs and Interrogator Plugs)	
16	07-00397-02	Crimper, Pin (Used on Fan Motor Plugs and Interrogator Plugs)	

**Refer to Manual 62-03213**

# INDEX

## Numerics

07-00176-11	90	12-50089-00	78
07-00228-00	90	12-50172-00	51
07-00229-00	90	12-55012	51
07-00238-00	90	14-00176-01	69
07-00243-10	90	14-00220-04	34
07-00277-00	90	14-00221-04	34
07-00294-00	90	14-00222-02	34
07-00294-05	90	14-00232-31	34
07-00295-00	90	14-00232-34	37
07-00304-00	90	14-00284-20	34, 37
07-00375-00	90	14-00341-04	37
07-00397-02	90	14-00341-07	34
07-00397-03	90	14-00341-11	34
07-00406-00	89	14-00361-01	28
07-00408-00	90	14-00361-10	28
07-00462-00	90	14-00361-11	28
07-00477-00	90	14-00361-12	28
07-00571-00PK5	51	14-00361-13	28
07-00572-00	51	14-00361-14	28
09-00375-00	51	14-00361-15	29
10-00083-06	62, 63	14-00361-16	28
10-00083-07	62, 63	14-00393-00SV	69
10-00083-08	62, 63	14-00393-10	69
10-00332-21SV	81	14-00435-00	69
10-00392-20	81	14-00435-10	69
10-00431-00	81	14-01032-14	34
10-00431-01	81	14-01090-12	34, 37
10-00431-08	81	14-01090-20	34, 37
10-00431-11	81	14-01091-04	34, 37
10-00439-01	81	14-01091-10	34, 37
10-01129-07SV	51	14-01091-20	35, 38
10-01129-11	85	14-01091-21	35, 38
10-01129-20	76	14-01091-22	35, 38
12-00170-08	87	18-10136-22	26
12-00309-05	29	18-10136-30	26
12-00352-00	29	18-10178-20	26
12-00395-01SV	87	22-00119-03	20
12-00413-05SV	89	22-00119-04	20
12-00433-03RP	57	22-01292-02	82
12-00433-06RP	53	22-01556-00	77
12-00474-01	63	22-01556-01	85
12-00495-00	87	22-01556-02	85
12-00495-01	87	22-01556-04	85
12-00500-01SV	69, 87	22-01556-06	85
12-00528-00	89	22-01566-01	86
12-00573-03SV	77	22-01602-02	19
12-00603-02	11	22-01602-03	19
12-00653-00	26	22-01604-00	76
12-00686-00	73	22-01613-06	73
		22-01613-07	73

22-01613-10	11	22-02393-01	87
22-01613-11	11	22-02394-00	87
22-01613-12	87	22-02394-02	86
22-01613-13	11, 73	22-02401-00	89
22-01613-14	87	22-02418-02	89
22-01613-15	78	22-02420-00	89
22-01614-06	87	22-02448-00	87
22-01622-01	85	22-04016-00	86
22-01622-03	85	22-04031-00	85
22-01660-00	87	22-04031-01	86
22-01660-02	78	22-04032-00	85, 86
22-01660-03	87	22-04128-01	26
22-01660-05	74, 78	22-04276-02	86
22-01660-08	11	22-50127-00	78
22-01679-00	61, 62, 63	22-66651-10	20
22-01713-46	28	22-66651-12	20
22-01713-49	53, 57	22-66656-33	86
22-01733-01	19	22-66681-00	11
22-01735-00	85, 86	22-66736-00	20
22-01737-00	89	24-66603-00	64
22-01737-01	89	30-00407-02SV	51
22-01737-02	89	34-00373-07	34
22-01743-00	89	34-00373-51	29
22-01777-00	87	34-00373-52	69
22-01777-02	87	34-00373-53	29
22-01777-03	87	34-00373-54	34
22-01777-06	86, 87	34-00373-61	31
22-01777-07	86, 87	34-00616-06	67
22-01778-00	61	34-00655-04	15, 31, 81
22-01835-00	86	34-00655-08	11, 12, 67, 81
22-01879-50	20	34-00655-10	17, 64, 72
22-01944-00	87	34-00655-12	64
22-01944-05	87	34-00655-18	29
22-01944-10	87	34-00662-13	31
22-01997-06	85	34-00663-07	81
22-01997-08	85	34-00663-08	53
22-01997-12	85	34-00663-09	26, 81
22-01997-13	85	34-00663-11	38, 64, 67, 69
22-01997-14	85	34-00667-05	76
22-01997-20	85	34-00667-09	17, 31
22-01997-21	85	34-00667-11	17, 23, 34, 61, 62, 63
22-01997-22	85	34-00667-12	41, 61, 62, 63
22-02205-00	74, 78	34-00792-07	9
22-02319-05	61, 62, 63	34-00795-09	29, 61
22-02319-06	61, 62, 63	34-00795-17	67
22-02324-01	20	34-00848-10	76
22-02324-09	85	34-00928-01	17
22-02336-02	51	34-00928-02	61, 62
22-02336-08	51	34-00928-04	49
22-02341-01	76	34-00928-07	9, 72
22-02378-00	20	34-00928-09	9, 15, 31, 69, 72
22-02392-00	87	34-00928-13	25

34-00928-20	9, 11, 15, 19, 49, 54	40-00542-01	29
34-01142-01	17	40-00583-05	29
34-01150-03	15	40-00583-20	29
34-01150-06	15	40-00663-00	28
34-01150-30	15	40-00665-21	29
34-01150-31	15	40-00667-00	35
34-01167-01	25	40-00668-00	35
34-01178-22	48, 82	40-00675-00	28
34-01178-23	48	40-01124-00	29
34-01181-01	41, 61, 62, 63	40-01129-00	43
34-01184-06	43, 44	40-66615-00	79
34-06051-32	73	40-66620-01	34
34-06053-00	9, 19, 23, 29, 31, 37, 43, 44, 49, 57, 61, 79	40-66625-38	34
34-06053-02	34, 41, 61, 62, 63	40-66628-03	69
34-06053-03	17, 25, 49	40-66629-00	69
34-06053-05	23, 25, 29, 31, 34, 37, 53, 57, 61, 62, 63, 74	42-00032-00	35
34-06053-10	61, 62, 63	42-00032-13	34, 37
34-06053-13	11, 12	42-00032-16	37
34-06053-14	81	42-00065-01	9
34-06053-15	9	42-00174-110	15
34-06053-18	9	42-00174-111	15
34-06053-19	11	42-00174-116	15
34-06053-20	26	42-00174-117	15
34-06107-00	53, 57	42-00174-118	15
34-06136-01	23, 61, 62, 63	42-00174-119	15
34-06136-02	61, 62, 63	42-00174-120	15
34-06139-00	54	42-00174-121	15
34-06139-01	54	42-00174-127	31
34-06139-04	54	42-00174-34	15
34-06142-00	74, 78	42-00183-08	69
34-06154-00	11, 12	42-00243-04	35, 38
34-06154-03	19	42-00243-12	28
34-06165-08	67	42-00296-01	11, 12
34-06169-00	57	42-00327-00	11, 12
34-06185-01	11	42-00328-00	61, 62, 63
34-06212-12	11, 12	42-00334-00	15
34-06221-00	63	42-00366-00	61
34-06236-00	26	42-00384-02	26, 29
34-06269-12	69	42-00389-03	34
34-06277-02	26	42-00389-04	43, 44
34-06295-00	29	42-00390-03	34
34-06357-00	41	42-00390-04	43, 44
34-66621-04	53	42-00407-00	11
34-66622-05	11	42-00425-109	69
34-66638-00	35, 38	42-00425-112	29
38-00599-00	67	42-00425-130	29
38-00620-01	41	42-00425-131	29
40-00520-01	34	42-00425-139	35, 37
40-00520-02	29	42-00425-148	37
40-00520-03	29	42-00425-69	35, 37
40-00542-00	29	42-00425-78	35, 37
		42-00425-93	35, 37

42-00465-01	37	58-00065-46	69
42-00471-01	63	58-00065-56	69
42-00570-00	72	58-00065-72	79
42-00667-28	35	58-00065-91	69
42-00667-32	35, 37	58-00065-93	81
42-00741-00	53, 57	58-00065-95	29
42-00771-00	31, 35	58-00079-01	77
42-00771-01	31, 35	58-00616-00	19
42-00771-02	31, 35	58-00701-03	17
42-00771-03	31, 35	58-00836-19	34, 43, 44
42-66647-00	37, 38	58-00848-12	81
42-66647-01	37, 38	58-00967-00	17, 81
42-66647-02	37, 38	58-00969-00	11, 48
42-66647-03	37, 38	58-01097-00	74
44-00285-54	29	58-01184-00	51
44-00300-04	53	58-04001-01	25
44-00361-00	48, 82	58-04001-02	25
44-00370-03	34, 37, 69	58-04026-07	23, 61
44-00370-08	69	58-04026-108	31, 34, 37
44-00391-00	53, 57	58-04026-17	61, 62, 63
44-00401-00	25	58-04026-23	31, 34, 37
44-00409-00	25	58-04026-25	61, 62, 63
44-00473-00	54	58-04026-32	17
44-00477-00	57	58-04026-59	34
44-01041-04	48	58-04026-74	53
44-66605-00	53	58-04101-00	53, 57
44-66608-00	72	58-04101-02	53, 57
44-66608-01	72	58-04127-00	79
48-00413-01	67	58-04127-05	79
48-66611-00	53	58-04127-06	79
54-00648-20	67	58-04127-07	79
54-00655-20	41	58-04202-02	58
56-07257-11	28	58-04246-00	26, 81
56-07911-00	34	58-04273-00	49, 82
56-08627-00	35	58-04276-00	49
56-08667-00	35	58-04279-00	49
56-08689-00	28	58-04290-01	19
56-09063-00	29	58-04302-01	19
56-09064-00	34	58-04315-00	48
56-09065-00	72	58-04316-00	23, 48, 57, 58
56-09087-00	69	58-04321-24	48
56-09141-00	69	58-04366-00	53, 57
56-09149-00	31	58-04376-05	11
56-09160-00	69	58-04378-01	12
56-09161-00	29	58-04480-00	9
56-09162-00	29	58-04539-10	58
56-09163-00	35	58-04539-11	58
56-09164-00	35	58-04539-12	58
56-09195-00	69	58-04539-13	58
56-09392-00	31	58-04680-00	17
56-09394-00	31	58-04770-00	67
56-66738-00	35	58-04791-01	26

58-04821-00	26	66-U---1--2603	25
58-04910-00	31	66-U---1--2763-5	43
58-04910-01	31	66-U---1--3632-20	29
58-04910-02	31, 35, 37	66-U---1--3803	28, 29, 35, 48, 82
58-04910-04	34	66-U---1--3882	23, 26, 34, 48, 53, 57, 58, 73, 74, 78, 82
58-04910-05	35	66-U---1--3882-3	29, 35, 69
58-04910-06	9	66-U---1--3882-7	31
58-04910-07	9	66-U---1--5321-13	11
58-04910-21	31	66-U---1--5321-2	35, 53
58-04910-22	31	66-U---1--5321-3	9, 15, 17, 31, 61, 62, 63, 64, 67, 69, 72
58-04954-00	53, 57	66-U---1--5321-5	15
58-04960-00	53, 57	66-U---1--5321-6	76
58-04968-00	72	66-U---1--5321-7	9, 17, 19, 23, 25, 29, 31, 37, 43, 44, 49, 61, 73, 79, 81
58-04980-00SV	38, 41	66-U---1--5321-8	17, 23, 25, 34, 49, 53, 57, 61, 62, 63, 73, 74, 77, 81
58-04990-00	72	66-U---1--5331	9
58-66646-00	11	66-U---1--5331-3	25
58-66671-00	38	66-U---1--5331-4	35
62-02719-00	51	66-U---1--5361	41
62-02723-21	75	66-U---1--5361-11	23
62-03957-04	54	66-U---1--5361-25	9, 23, 25, 31, 37, 41, 48, 61, 69, 72, 79
62-10911-00	17	66-U---1--5361-50	38
62-10930-00	11	66-U---1--5361-7	31
62-11114-00	49	66-U---1--5362-2	11
62-11252-00	75	66-U---1--5371	35
62-11263-02	75	66-U---1--5371-10	29, 73
62-11264-01	75	66-U---1--5371-6	23, 26, 29, 31, 34, 37, 48, 53, 57, 61, 62, 69
62-11270-14	49	66-U---1--5371-7	17, 34, 49, 51, 53, 57, 61, 62, 63, 69, 73, 74, 77, 78, 81
62-11275-00	78	66-U---1--5381-1	69
62-11424-00	75	66-U---1--5381-3	69
62-11602-00	67	66-U---1--5562-12	19
62-11729-00	78	66-U---1--5562-2	11, 12
62-11731-00	76	66-U---1--5562-7	17
62-11731-01	76	66-U---1--6651-19	81
62-11735-04	75	66-U---1--6651-2	53
62-11739-00	75	66-U---1--6651-22	53
62-11739-03	75	66-U---1--6651-24	86, 87
62-11739-04	75	66-U---1--6782	20
62-11750-00	69	66-U---1--6811-12	57
62-66081-00	75	66-U---1--7352-3	23, 81
62-66682-01	75	66-U---1--7842-12	81
62-66723-00	11	66-U---1--7842-6	81
66CH---1--1172-2	11, 82	66-U---1--7842-7	81
66CH---1--1172-28	81	66-U---1--9592-13	17
66CH---1--1172-32	82	66-U---1--9752	76
66-U---1--1251-2	23, 81	66-U---2--1142	43
66-U---1--1571-14	19	66-U---2--1152	43
66-U---1--1571-3	35		
66-U---1--2403	15, 25, 54		
66-U---1--2403-1	53, 57		
66-U---1--2552-185	67		
66-U---1--2583	20		
66-U---1--2593-4	15		

66-U---2--1531-1	62, 63	68-17228-00	54
66-U---2--1531-3	61, 62, 63	68-17290-00	35
68-04910-08	17	68-17293-00	15
68-11989-00	12	68-17298-00	54
68-12933-07	11	68-17316-00	17
68-12940-05	11	68-17337-00	15
68-13181-01	73	68-17344-00	9
68-13707-02	25	68-17345-00	72
68-13832-00	61	68-17361-00	15
68-13961-00	62, 63	68-17361-01	15
68-14278-00	34	68-17405-00	81
68-14456-01	23	68-17419-00	72
68-14456-02	61	68-17419-01	72
68-14815-00	11	68-17461-00	53
68-14903-00	11	68-17484-00	15
68-15477-02	34	68-17526-00	25
68-15478-02	34	68-17676-00	43, 44
68-15532-00	29	68-17886-00	37
68-15997-00	29	68-17964-06	15
68-15998-00	29	68-18027-01	15
68-16521-00	9	68-18178-00	37
68-16695-00	9	68-86230-00	17
68-16696-00	72	68-86255-00	25
68-16697-00	9	68-86256-00	23
68-16715-00	69	68-86389-00	31
68-16735-00	57	69NT--35--1076	62, 63
68-16767-00	72	69NT--35--1076-1	62, 63
68-16823-00	35	69NT--35--2086	61, 62, 63
68-16823-08	35	69NT--35--2692	15, 51
68-16864-00	34	69NT--35--2692-1	38, 41, 49, 64, 67, 72
68-16891-00	72	69NT--35--2692-4	77
68-16892-00	69	69NT--35--3282	15
68-16893-00	69	69NT--35--3452	41
68-16894-00	64	69NT--35--3452-1	41
68-17021-00	74	69NT--35--3907	73
68-17023-00	78	69NT--35--5992	25
68-17037-00	9	69NT--35--6112	41
68-17037-01	9	69NT--35---636-1	78
68-17044-00	9	69NT--35---636-6	54
68-17044-01	9	69NT--35--8113	9
68-17089-00	69	69NT--35--8258	19
68-17118-00	9	69NT--35--9073-1	81
68-17129-02	9	69NT--40---657-4	9
68-17131-00	23	69NT--40---914-4	61, 62, 63
68-17145-00	72	69NT--41---892	61, 62, 63
68-17175-00	15	69NT--43---270	62
68-17185-00	31	69NT--43---270-1	61
68-17188-00	9, 72	69NT--43---270-2	63
68-17190-00	69	69NT--43---282	61, 62, 63
68-17196-00	31, 37	69NT--43---295	67
68-17200-00	9	69NT--43---374	61, 62
68-17201-00	72	69NT--43---374-1	63



74-66663-00	29
74-66674-00	69
76-00667-03	62
76-00667-07	61
76-00667-12	63
76-00816-00	28, 29
76-00818-01	29
76-00893-00	31
76-50058-00	89
76-50059-00	89
76-50214-02	51
76-66615-00	11
76-66641-00	42
76-66641-01	42
76-66649-00	29
79	35
79-01697-06SV	12
79-04018-00	57
79-04018-01	53
79-04045-00	15
79-04045-01	15
79-04046-00	53
79-04047-00	54
79-04049-01	34
79-04049-02	34
79-04051-00	29
79-04055-00	35
79-04071-00	25
79-04071-01	25
79-04102-00	37
79-04134-00	43, 44
79-04167-00	37
79-04186-00	37
79-66626-00	11
79-66669-00	53, 57
79-66703-00	11
81-04186-20	69
81-04202-00	35
81-04203-06	37
81-04203-20	31
81-04212-00	29
81-04237-03	31
81-04237-20	31
81-04238-00	43, 44
81-04266-00	69
81-04291-00	37
86-04956-00	64
86-04987-00	57
86-04987-01	53
86-04994-00	35
86-05003-00	17
86-05077-00	15

86-05078-00	9
86-05150-00	31
86-05278-00	38
91-00438-08	85
99TS0322CK001 400	35
99TS0835CK002 000	35

## A

AA06JA170	61
AT39JA171	17, 77
AU27JR131	53, 57, 73
AU27JR171	17, 48, 61, 62, 63, 77

## C

Configuration Identification 3

## D

--DE--01BA-504	31
----------------	----

## E

EC39DM070	29
-----------	----

## M

MS510074	76
----------	----



Carrier Transicold Division,  
Carrier Corporation  
P.O. Box 4805  
Syracuse, NY 13221 USA

<https://www.carrier.com/container-refrigeration>