



Diesel Generator Set



PARTS LIST MANUAL

For

69RG15

Generator Set Units

PID RG2051-2100 Series



PARTS LIST MANUAL

For

69RG15

Generator Set Units

PID RG2051-2100 Series

TABLE OF CONTENTS

Paragraph Number	Page
INTRODUCTION	III
RG GENSET CONFIGURATION	1
1 UNIDRIVE ASSEMBLY	2
2 FRAME KIT	7
3 UNIT MOUNTING	8
4 FUEL SYSTEM	9
5 BATTERY KIT	12
6 AIR FILTERS	14
6 AIR FILTERS	15
7 EXHAUST SYSTEM	16
8 SOLID STATE BATTERY CHARGER - PIDS PRIOR TO RG2059	18
8 SOLID STATE BATTERY CHARGER - PIDS RG2059 AND UP	19
9 VOLTAGE CONTROLLER	20
10 SKINS KIT	22
11 LABELS AND DECALS	24
12 VOLTAGE	26
13 COOLANT SYSTEM	28
14 CONTROL BOX - PIDS PRIOR TO RG2059	30
14 CONTROL BOX - PIDS RG2059 AND UP	33
15 RECEPTACLE BOX - PIDS PRIOR TO RG2059	36
15 RECEPTACLE BOX - PIDS RG2059 AND UP	38
16 WIRE HARNESS	40
INDEX	43

INTRODUCTION

Introduction

This parts list identifies service replacement parts for the Carrier Transicold Diesel-Driven Generator Set listed in the model chart below. This parts list does not include detailed replacement parts for the engine listed in the first chart below. Detailed parts identification for these items may be found in the applicable parts list.

The form numbers for the engine omit revision dash numbers. For example, the latest engine list may have a -01 added to the basic number to read 62-03459-01. Therefore, when forms are ordered the latest revision will be sent.

Manual Number	Engine Part Number	Equipment Covered	Type of Manual
62-11695	26-00136-13SV	V2203L-DI	Engine Parts List

Model and Product Identification (PID) Numbers

Beginning with early 1995 production, in addition to a model number, Carrier Transicold began using a parts identification (PID) number in the format of RG0000. In this manual, the PID number is shown in boldface to point out variations within models. Please include the PID number, in addition to the model number, when ordering and inquiring about your unit

Ordering Instructions

All orders and inquiries for parts must include:

- Part Identification Number (PID)
- Unit Serial Number
- Part Number
- Description of Part
- Quantity Required

Address all correspondence for parts to the following address:

CARRIER TRANSICOLD DIVISION
Replacement Components Group
TR-20, P.O. Box 4805
Syracuse, New York 13221
or
Fax to: (315) 432-3778
Recommendation List

General Notes

To find replacement parts, consult table of contents, and turn to the appropriate page for the illustrated breakdown of replacement parts. The following letter designations are used to classify parts throughout this list:

- A/R As Required.
- NSS Not Sold Separately - Order next higher assembly or kit.
- PID Parts Identification Number - essential to identify unit configuration.
- PL Purchase locally.
- SST Stainless Steel - 300 Series unless otherwise specified.
- SV Suffix SV - added to the part number designates service part replacement part.

Painted Parts Color System

Available paint colors: (Other than White Cloud or Hull Blue)

Paint Color	Part Number
Sky Blue	36-00048-28
Flame Orange	36-00048-27
Citrus Orange	36-00048-29
Raven Black	36-00048-04
Red	36-00048-57

Overview of the new numbering system:

A typical part number appears as: 79-01741-00 (access door). To order an access door in sky blue you add the last three digits of the special color paint and then add the specific dash number for the color of that paint.

For example:

Sky blue paint P/N is 36-00048-28.

The last three digits of the blue paint are: 048

The specific dash number is: 28

The painted parts system looks like this:

79-01741-00 Standard P/N for the access door.

048 Last 3 digits of special color paint.

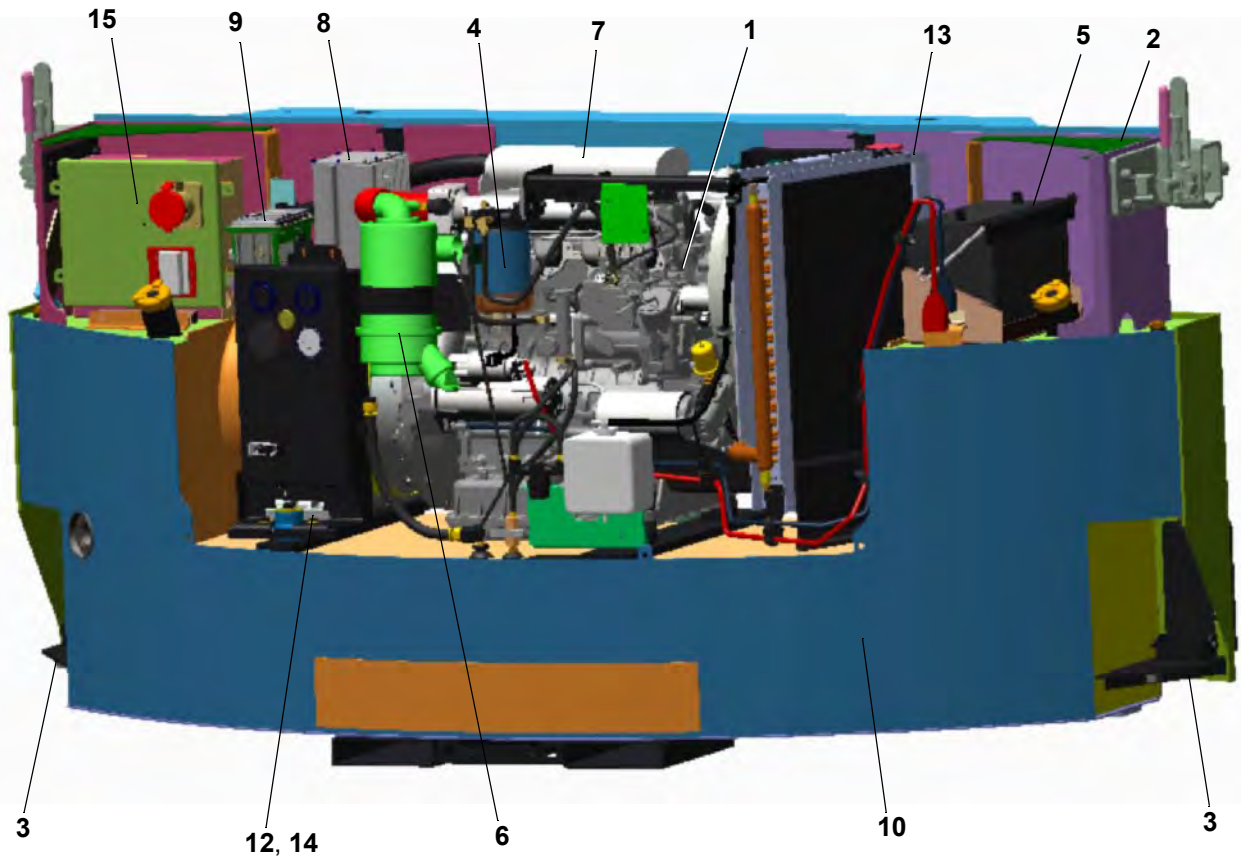
28 Specific dash # for color of paint.

79-01741-0004828 P/N For Special Painted Door

Data Entry Note:

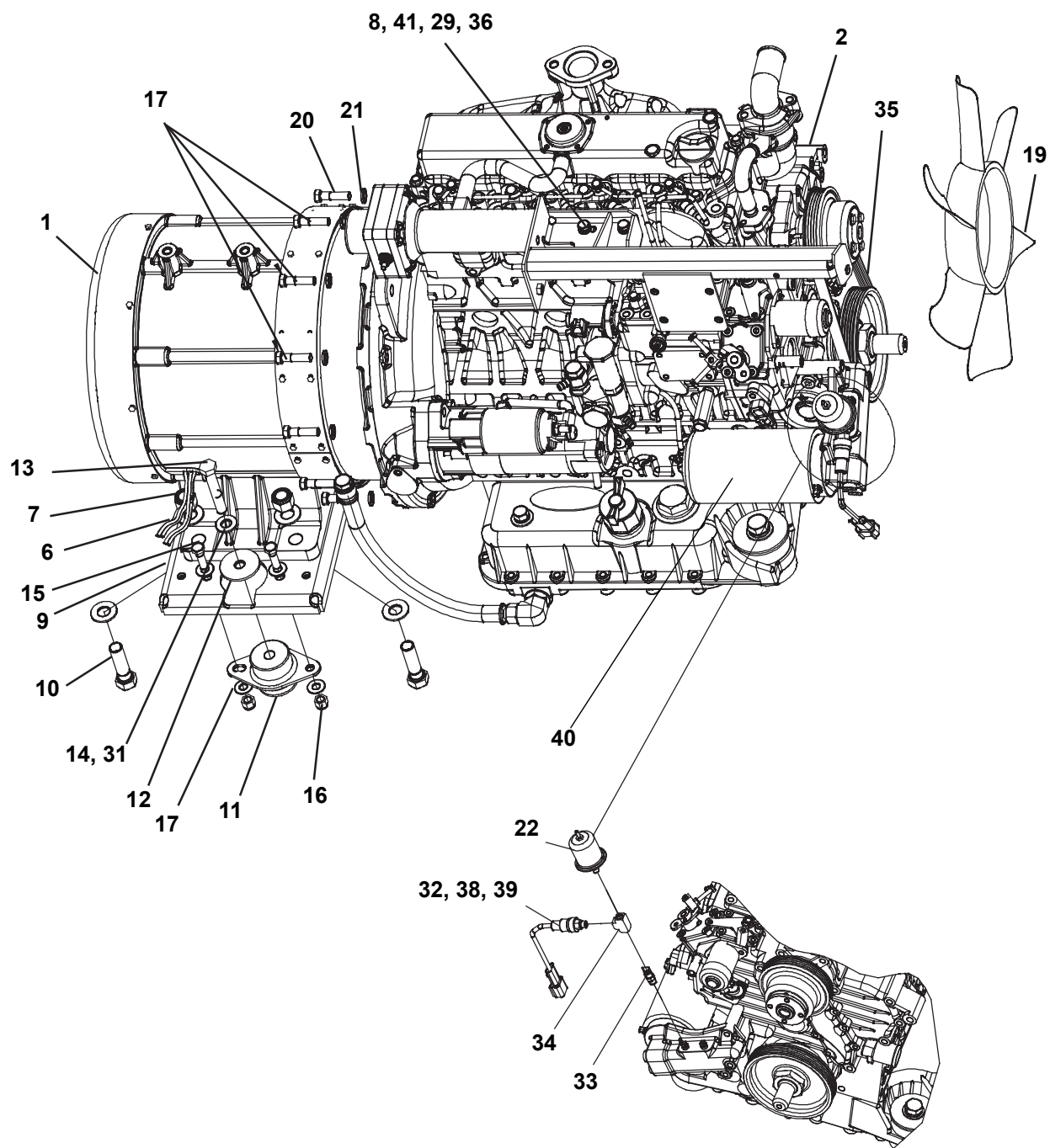
The above is how you should see most parts being ordered. Certain customers may have a character constraint that will only allow them to input 14 characters in their system and our new painted part numbers are 16 characters long. Therefore, they will be ordering these parts without the dashes, which will look like the following, 79017410004828.

RG Genset Configuration

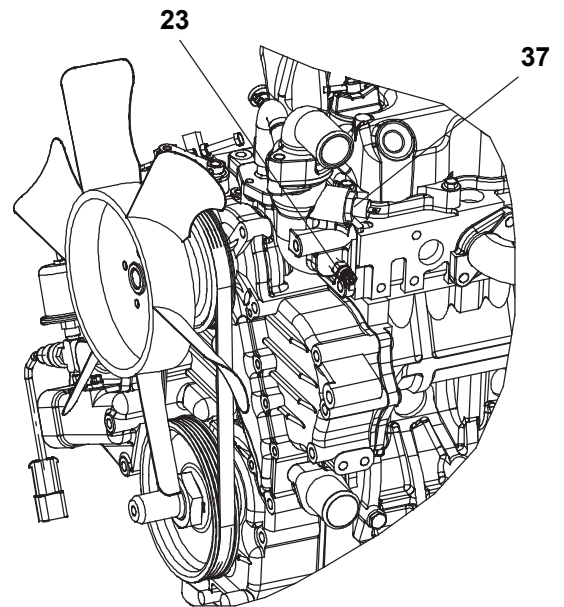
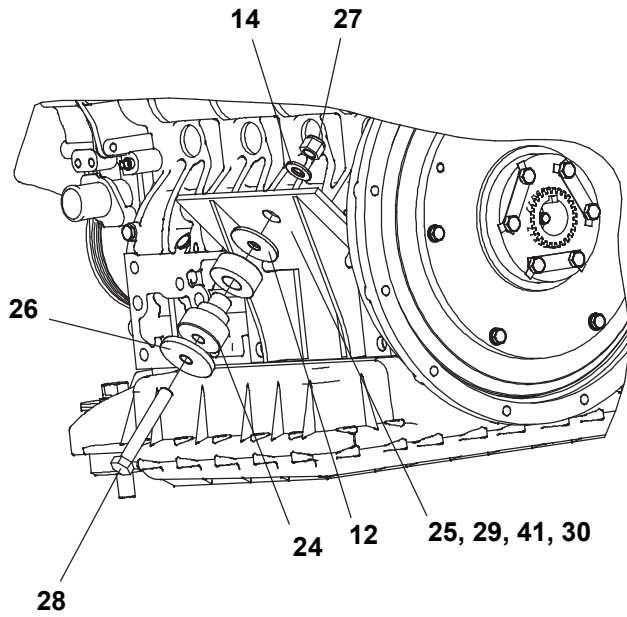
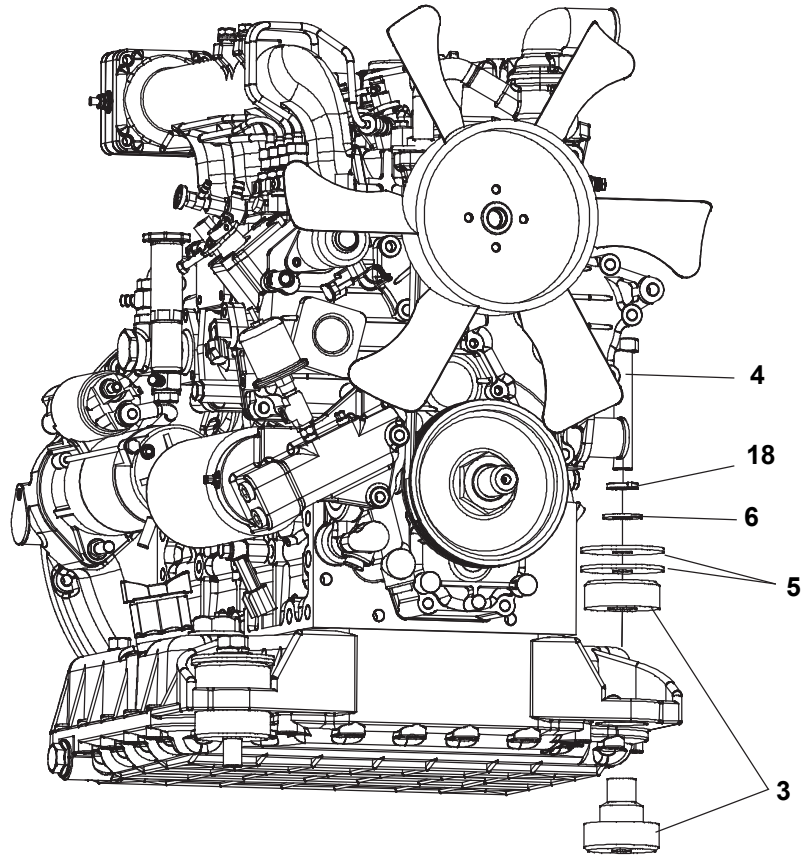


Item	Section Number	Description
1	Section 1	Unidrive Assembly
2	Section 2	Frame Kit
3	Section 3	Unit Mounting
4	Section 4	Fuel System
5	Section 5	Battery Kit
6	Section 6	Air Filters
7	Section 7	Exhaust System
8	Section 8	Solid State Battery Charger
9	Section 9	Voltage Controller
10	Section 10	Skins Kit
11	Section 11	Labels
12	Section 12	Voltage
13	Section 13	Coolant System
14	Section 14	Control Box
15	Section 15	Receptacle Box
16	Section 16	Wire Harness

1 Unidrive Assembly



1 Unidrive Assembly



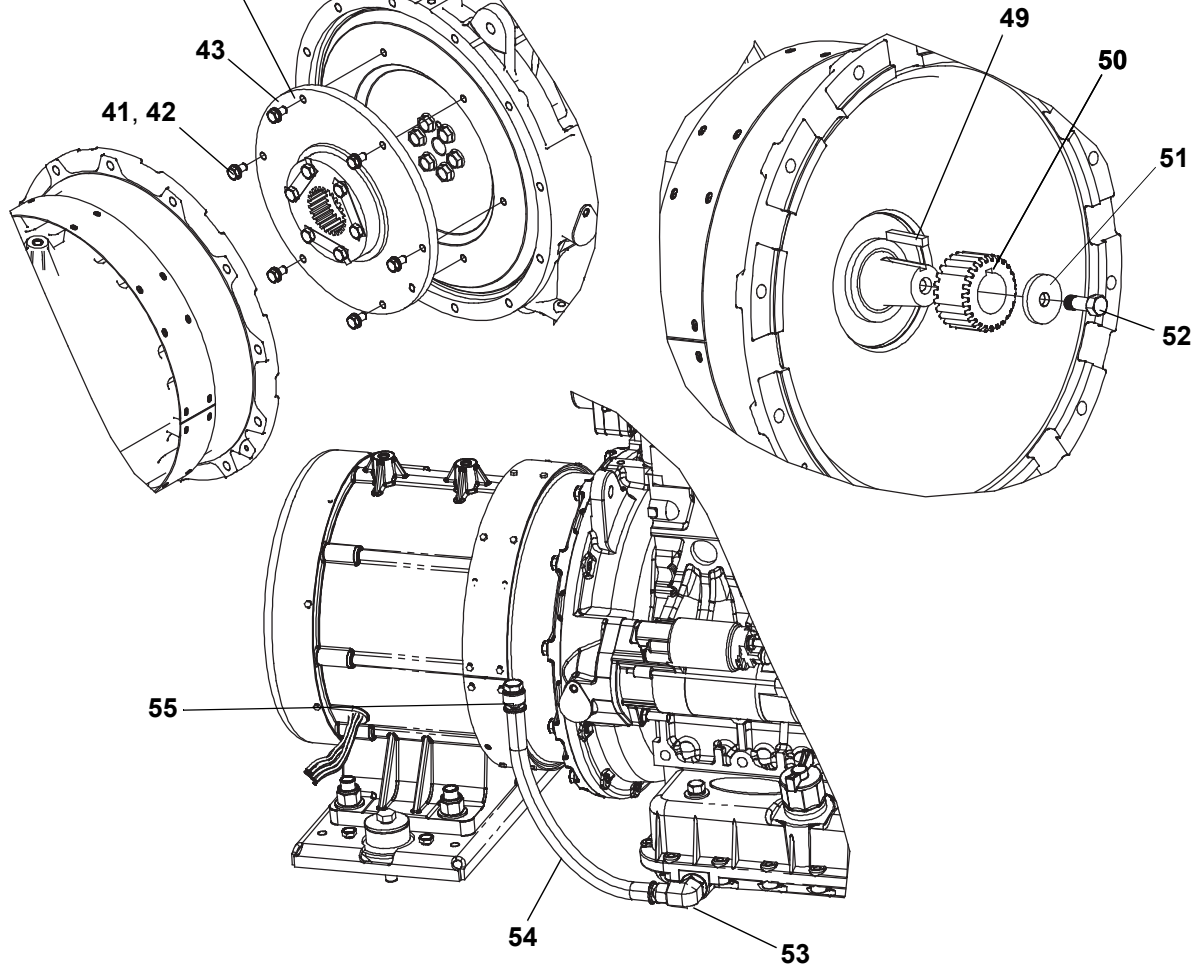
1 Unidrive Assembly

Item	Part Number	Description	Qty
1	54-00669-25	Generator	1
2	26-00136-13SV	Engine, Kubota	1
3	73-00198-00	Shockmount	2
4	66U1-5361-36	Screw, Cap Hex Head 5/8-11 X 4.00	2
5	34-06060-01	Washer, Snubbing	4
6	66U1-5321-9	Washer, Plain 5/8 N Type A	10
7	34-00795-17	Nut, Self Lock	4
8	86-04768-01	Bracket	1
9	86-05027-00	Channel	1
10	34-00804-18	Screw, Cap Hex Head 5/8-18 X 2.25	4
11	73-00175-01	Shockmount	2
12	34-00890-09	Washer, Flat	3
13	34-00833-24	Screw, Cap Hex Head 1/2-13 X 3.00	2
14	34-00829-15	Washer, Plain	3
15	34-00807-10	Screw, Cap Hex Head 3/8-16 X 1.25	4
16	34-00667-13	Nut, Self Lock	4
17	34-00829-13	Washer, Plain	11
18	66U1-5331-8	Washer, Lock 5/8 Spring	2
19	38-00152-00	Fan	1
20	34-00807-12	Screw, Cap Hex Head 3/8-16 X 1.50	12
21	34-00663-13	Washer, Lock 3/8 Spring	12
22	66U1-2823-3	Sender Oil Pressure	1
23	12-00098-04	Sending Unit Water Temp	1
24	73-00305-00	Shockmount	1
25	86-04999-00	Weld Assembly 69RG T4 Snubber	1
26	34-00890-08	Washer	1
27	34-00667-15	Nut, Self Lock	1
28	AA06BZ300	Screw, Cap Hex Head 1/2-13 X 3.25	1
29	34-01146-08	Washer, Lock M8 Spring	4
30	34-01145-06	Nut, Hex M8	2
31	66U1-5331-9	Washer, Lock 1/2 Spring	2
32	12-00592-02	Switch, Pressure Oil	1
33	40-00067-01	Nipple, Hex 1/8 X 1/8 Npt	1
34	40-00107-01	Tee 1/8 Npt	1
35	50-60330-03	V-Belt, Poly Belt Poly-V 4Pk	1
36	34-01153-15	Screw, Cap Hex Head 8Mm X 15Mm	2
37	10-00158-02	Switch, Safety 1/2" Npt Water Temp	1
38	58-00858-35	Tube, Slit 1/4ID X 5.5	1
39	58-00079-02	Sta-Strap	2
40	30-00463-00	Oil Filter	1

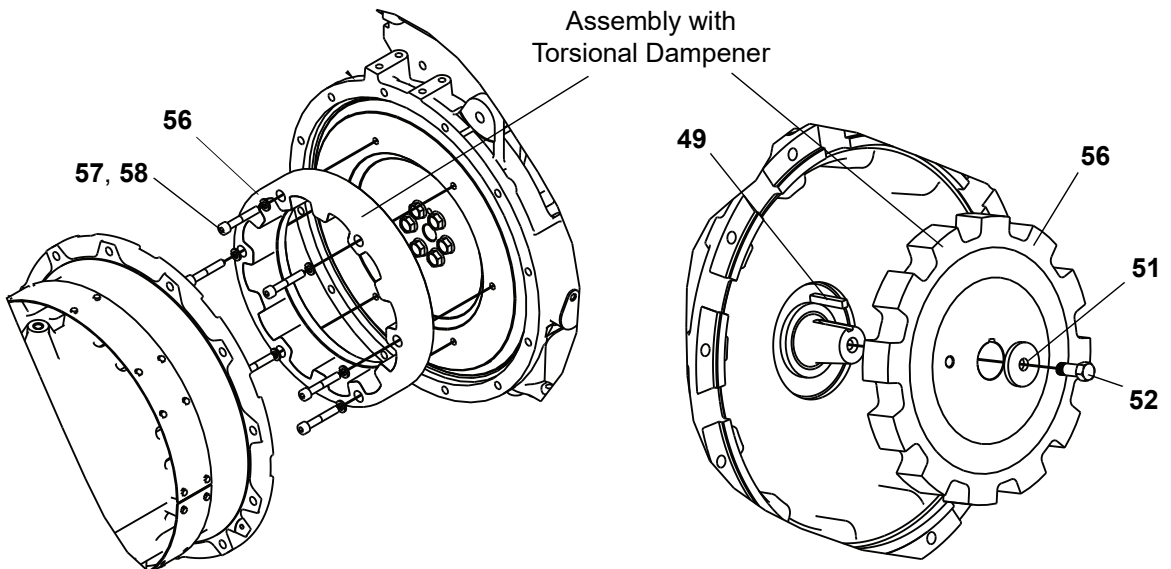
77-01584-00, 77-00436-00

1 Unidrive Assembly

Flywheel Housing
Generator Adaptor Plate

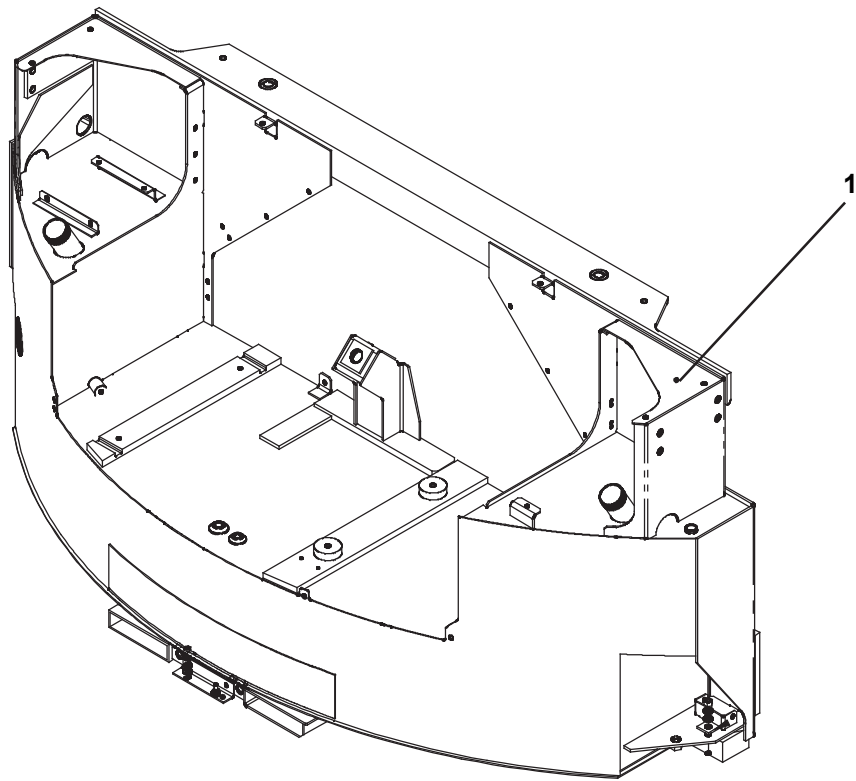


Assembly with
Torsional Dampener



1 Unidrive Assembly			
41	34-01151-08	Washer, Flat M8	6
42	34-01153-25	Screw, Cap Hex head M8 X 25Mm	6
43	79-04009-00	Adapter Assembly includes:	1
44	48-00459-00	Adapter, Flywheel	1
45	50-00230-00	Gear	1
46	68-12650-00	Bar	3
47	34-00304-14	Screw, Cap Hexhead	6
48	02-00023-00	Sealant	
49	34-06029-08	Key, Square 1/4 Sq X 1.12	1
50	48-01049-00	Gear Driven	1
51	34-01319-00	Washer, Flat 3/8 Hardened	1
52	34-00559-08	Screw, Cap Hex Head 3/8-24 X 1.00	1
53	40-00566-00	Elbow, 90 Degree	1
54	66CH1-123-100	Hose Assembly	1
55	40-00043-05	Plug 1/2" Flare	1
Units with Torsional Dampener			
56	50-01195-00	Coupling (Torsional Dampener)	1
57	34-01369-50	Screw, Socket HD	6
58	34-01146-58	Washer, Lock	6
77-01584-00, 77-00436-00			

2 Frame Kit

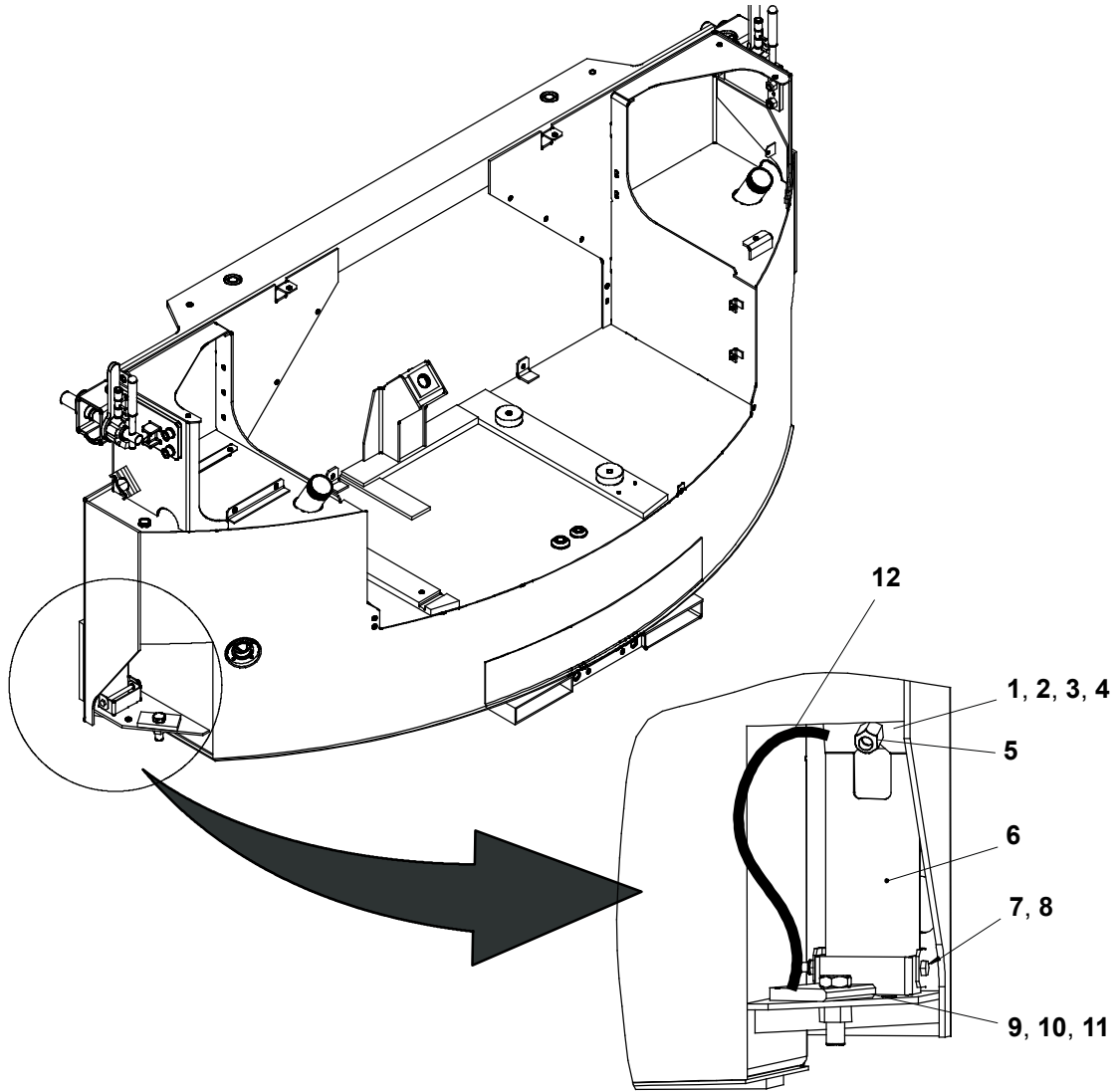


77-04021

Item	Part Number	Description	Qty
1	86-04954-00	Tank Assembly	1

77-04021-00

3 Unit Mounting

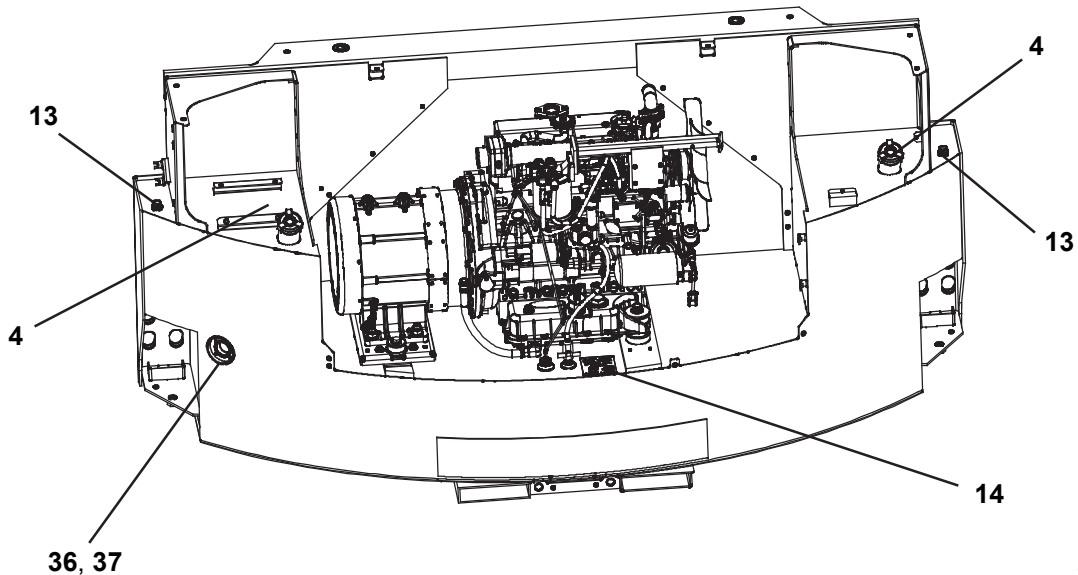


77-01583

Item	Part Number	Description	Qty
1	68-17757-00	Bracket	2
2	34-00667-12	Nut, Self Lock	4
3	34-06201-00	Bolt, T-Head 1/2-13 X 2.75	2
4	66U1-5321-4	Washer, Plain 5/16 N Type A	4
5	34-06207-00	Knob	2
6	68-17756-00	Retainer	2
7	34-00667-13	Nut, Self Lock	2
8	34-06200-00	Screw, Cap Hex Head 3/8-16	2
9	68-17754-00	Block (Mounting Spacer)	2
10	34-06229-00	10-32 Screw	2
11	34-06149-04	Bolt, 3/4-10X 2.75	2
12	44-00402-00	Tether	2

77-01583-00

4 Fuel System



77-01585

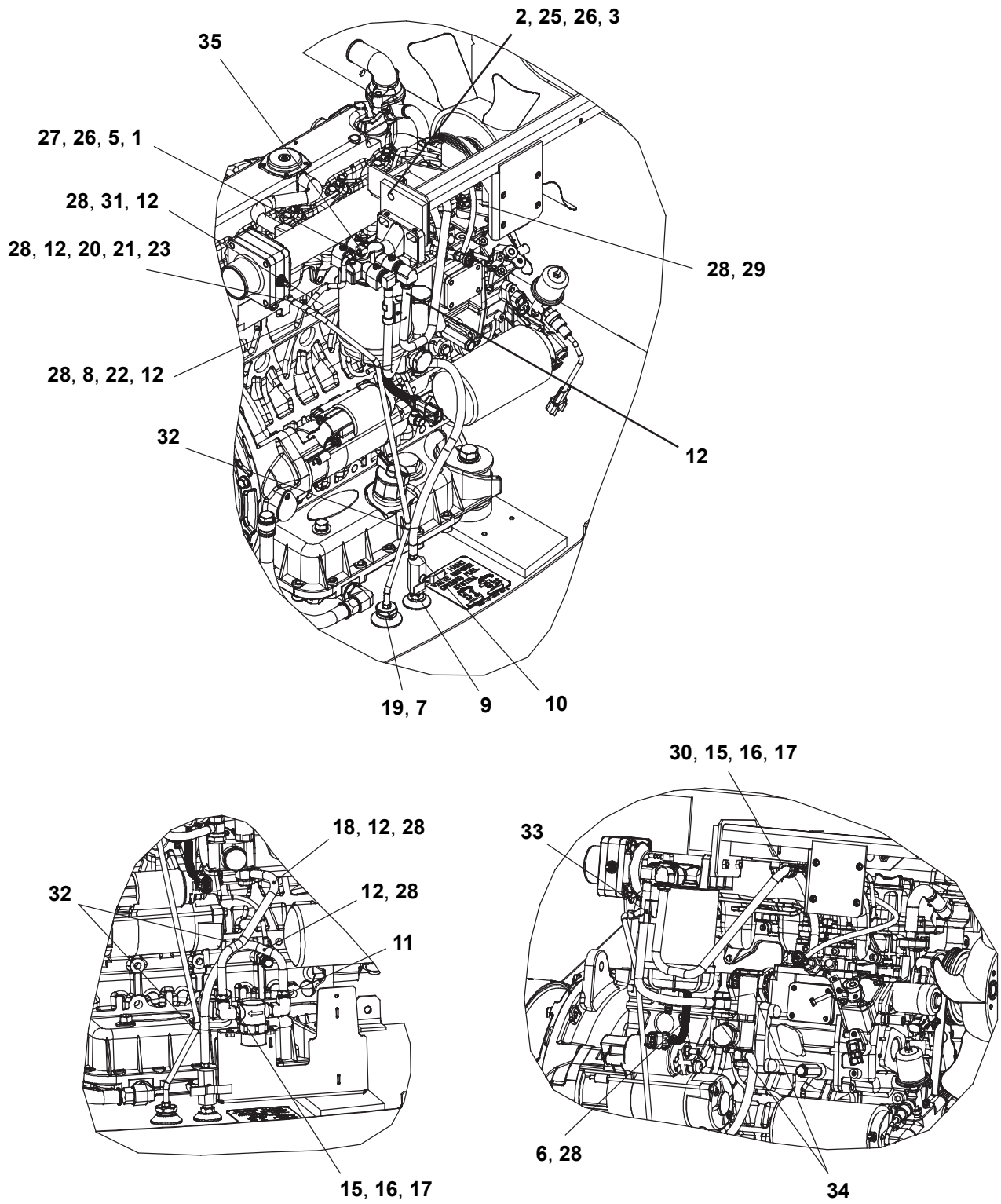
Item	Part Number	Description	Qty
1	30-01122-00	Filter Assembly Fuel Filter	1
2	48-00449-00	Spacer	1
3	34-00667-12	Nut, Self Lock	1
4	44-00046-13	Cap Assembly	2
5	66U1-5361-38	Bolt, Machine Hex Head 5/16-18 X 1.50	2
6	58-00858-30	Tube, Slit 1/4 ID X 6.50	1
7	81-04093-01	Tube, Pickup	1
8	58-00848-35	Tube, Slit 1/2 ID X 21.00	1
9	81-04100-00	Tube, Pickup	1
10	40-00469-00	Valve Fuel Shutoff	1
11	40-00420-01	Fitting, Hose Barb 5/16 ID X 1/4 Mpt	1
12	44-00045-25	Clamp, Hose	12
13	40-00697-00	Vent Fuel Tank	2
14	69GC-15-3212	Label Fuel Shutoff	1
15	34-06212-12	Washer, Plain 1/4 N Type A	1
16	34-00663-11	Washer, Lock 1/4 Spring	1
17	34-00655-08	Screw, Cap Hex Head 1/4-20 X 1.00	1
18	58-00658-10	Hose, Fuel 5/16 ID X 14 Lg	1
19	40-00420-02	Fitting, Hose Barb 3/16 ID X 1/4 Mpt	1
20	58-00659-21	Hose, Fuel 3/16 ID X 11.00 Lg	1
21	40-01156-00	Tee, Male Branch 3/16" Hs. X 1/4" Tube	1

4 Fuel System

22	58-00659-18	Hose, Fuel 3/16 ID X 23.00 Lg	1
23	58-00848-02	Tube, Slit 1/2 ID X 9 Lg	1
24	58-00848-45	Tube, Slit 1/2 ID X 28.00 Lg	1
25	34-00792-10	Screw, Cap Hex Head 5/16-18 X 1.25	1
26	66U1-5321-4	Washer, Plain 5/16 N Type A	4
27	34-00663-12	Washer, Lock 5/16 Spring	2
28	58-00079-02	Sta-Strap	12
29	58-00848-22	Tube, Slit 1/2 ID X 10Lg	1
30	44-00102-52	Clamp, Cushioned	1
31	58-00848-26	Tube, Slit 1/2 ID X 5 Lg Corr	1
32	58-00969-00	Wire Tie	2
33	44-00317-00	Clip 1/2 To 5/8 Tee	1
34	42-01133-00	Seal	2
35	40-00739-01	Fitting, Fuel Filter	1
36	12-00722-00	Fuel Gauge	1
37	12-00722-21	Gasket	1

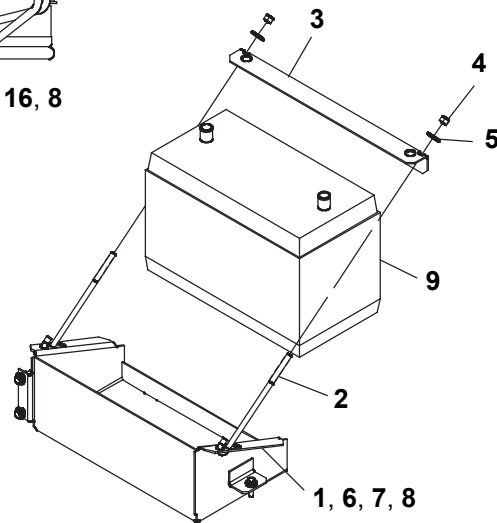
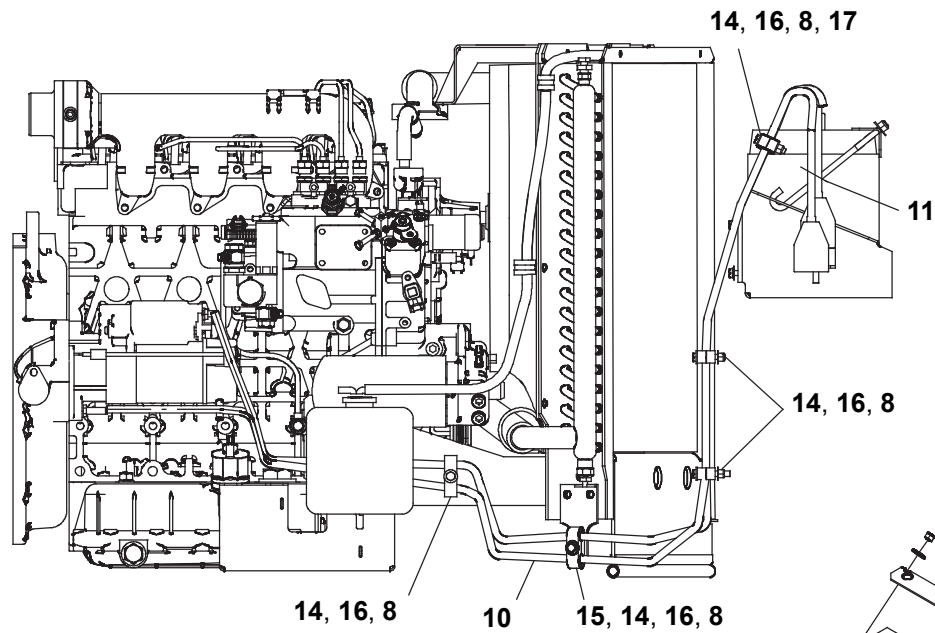
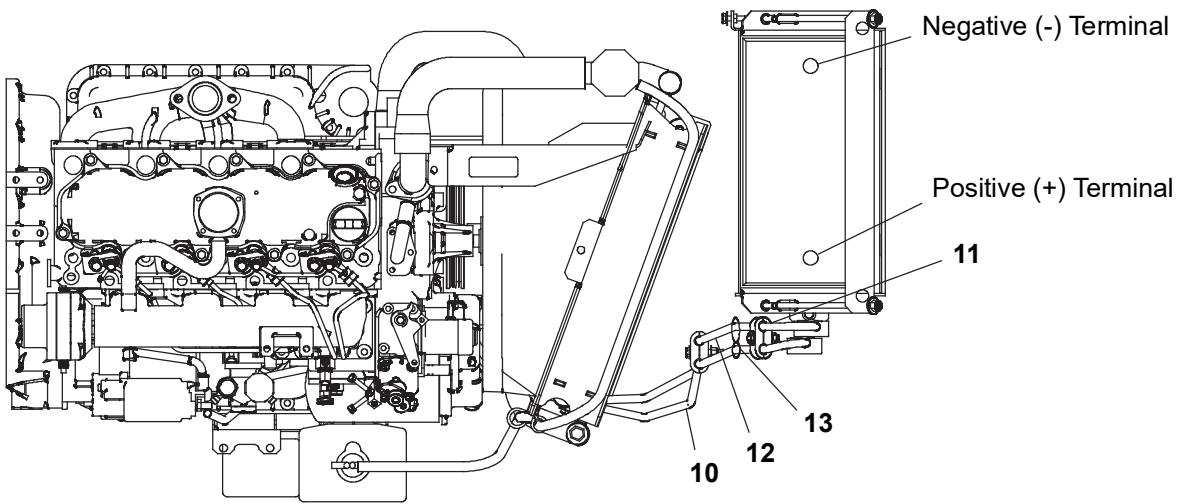
77-01585-00

4 Fuel System



77-01585

5 Battery Kit



77-01586

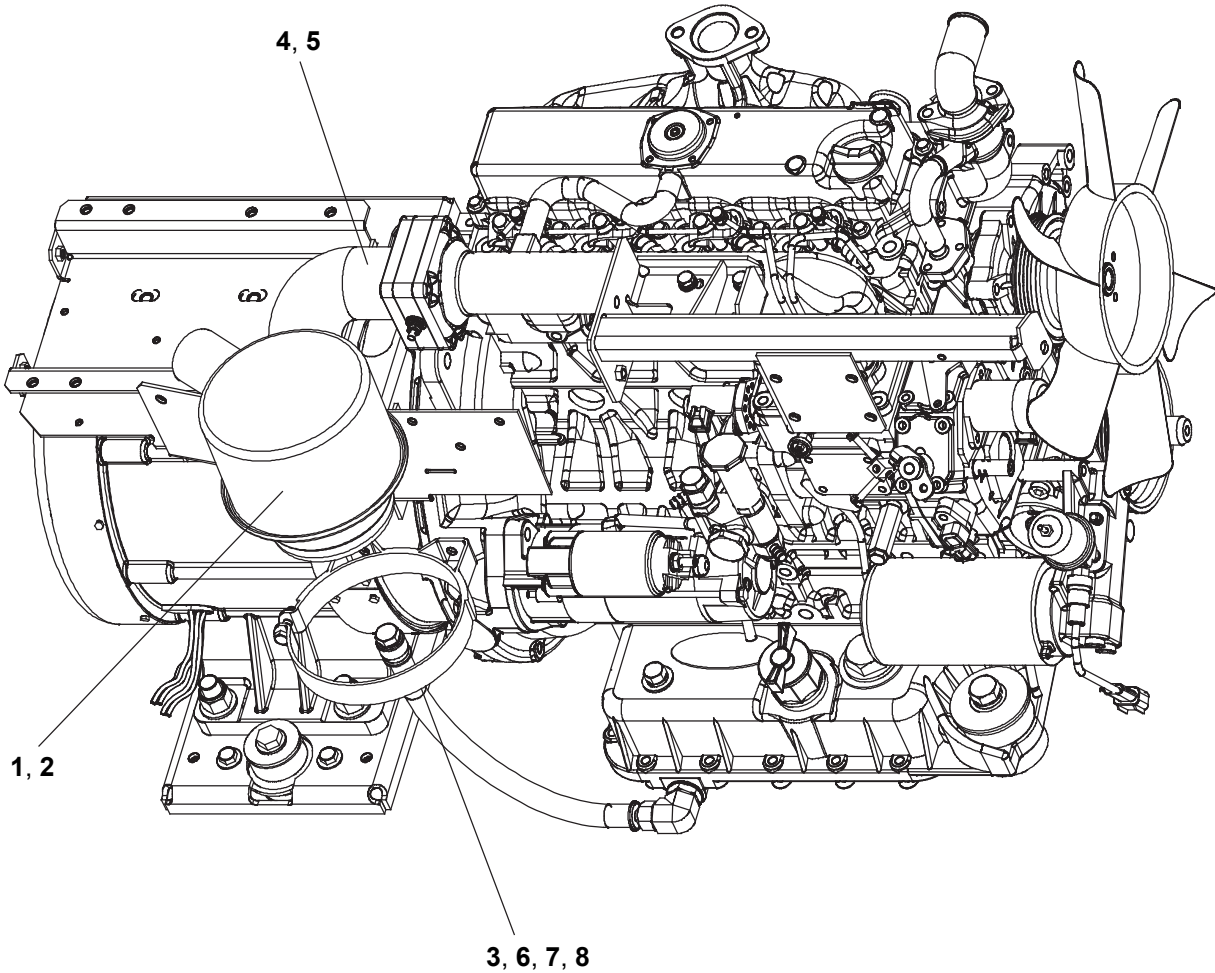
5 Battery Kit

Item	Part Number	Description	Qty
1	86-05106-00	Box Assembly	1
2	34-06247-05	J-Hook 5/16-18 X 6.75	2
3	68-17348-00	Angle, Hold Down	1
4	34-00667-12	Nut, Self Lock	2
5	34-00662-12	Washer, Plain 5/16	2
6	34-00655-08	Screw, Cap Hex Head 1/4-20 X 1.00	3
7	34-00663-11	Washer, Lock 1/4 Spring	3
8	34-00662-11	Washer, Plain 1/4	9
9	30-50349-00	Battery 12V	1
10	22-01633-91	Cable, Battery 70" Negative Black	1
11	58-00079-02	Sta-Strap	3
12	22-01633-92	Cable, Battery 59" Positive Red	1
13	58-00969-00	Wire Tie	1
14	44-01143-09	Clamp	5
15	68-17287-00	Plate	1
16	34-00655-12	Screw, Cap Hex Head 1/4-20 X 1.50	5
17	34-00667-11	Nut, Self Lock	1

77-01586-00

6 Air Filters

6A OIL BATH AIR FILTERS



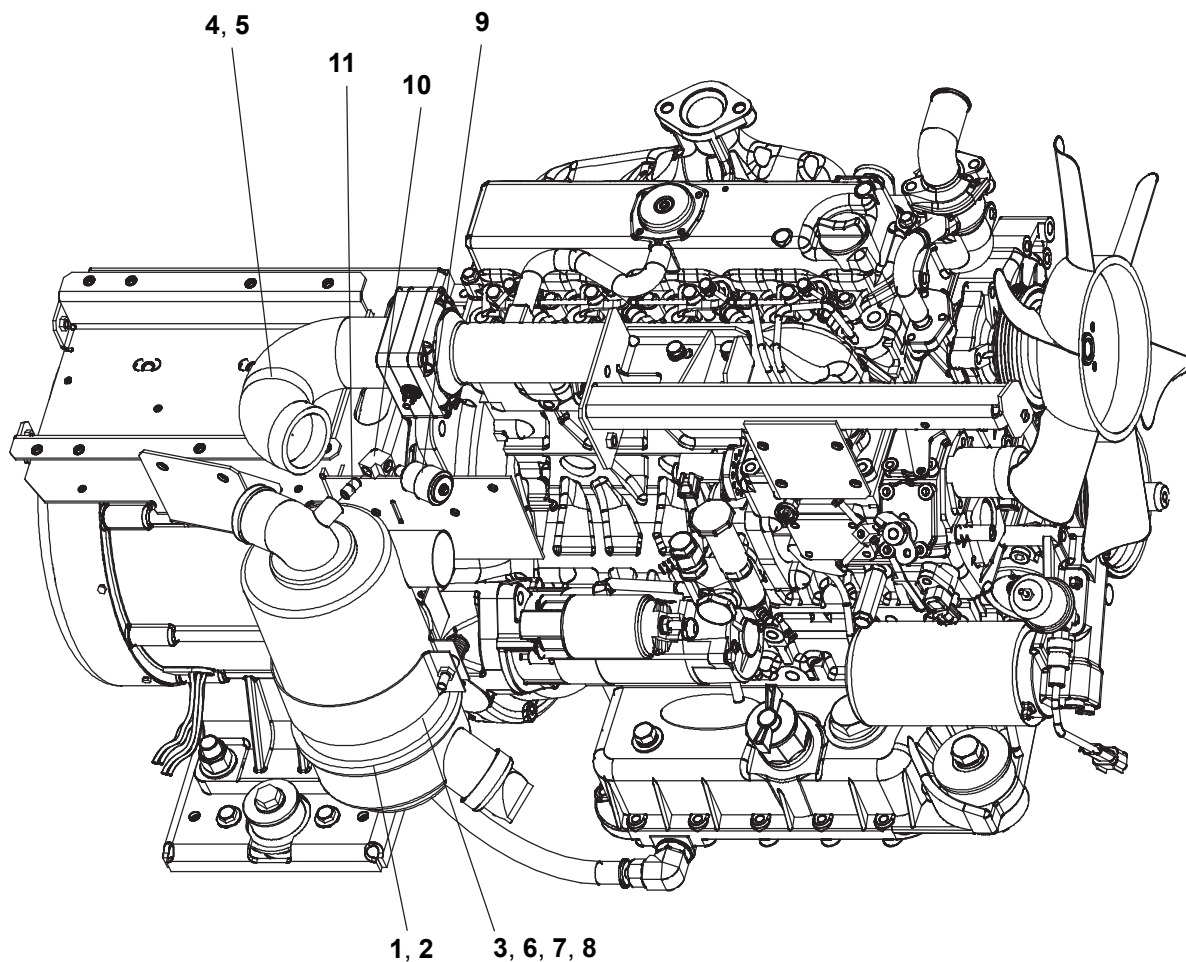
77-01587

Item	Part Number	Description	Qty
1	30-00426-05	Air Cleaner Assembly, Oil Bath Includes:	1
2	30-00426-25	Gasket	1
3	44-00447-01	Bracket	1
4	58-04766-00	Hose	1
5	KA69JM840	Clamp, Hose	2
6	34-00655-06	Screw, Cap Hex Head 1/4-20 X 0.75	2
7	34-00667-11	Nut, Self Lock	2
8	34-06212-12	Washer, Plain 1/4 N Type A	2

77-01587-01

6 Air Filters

6B DRY ELEMENT AIR FILTERS

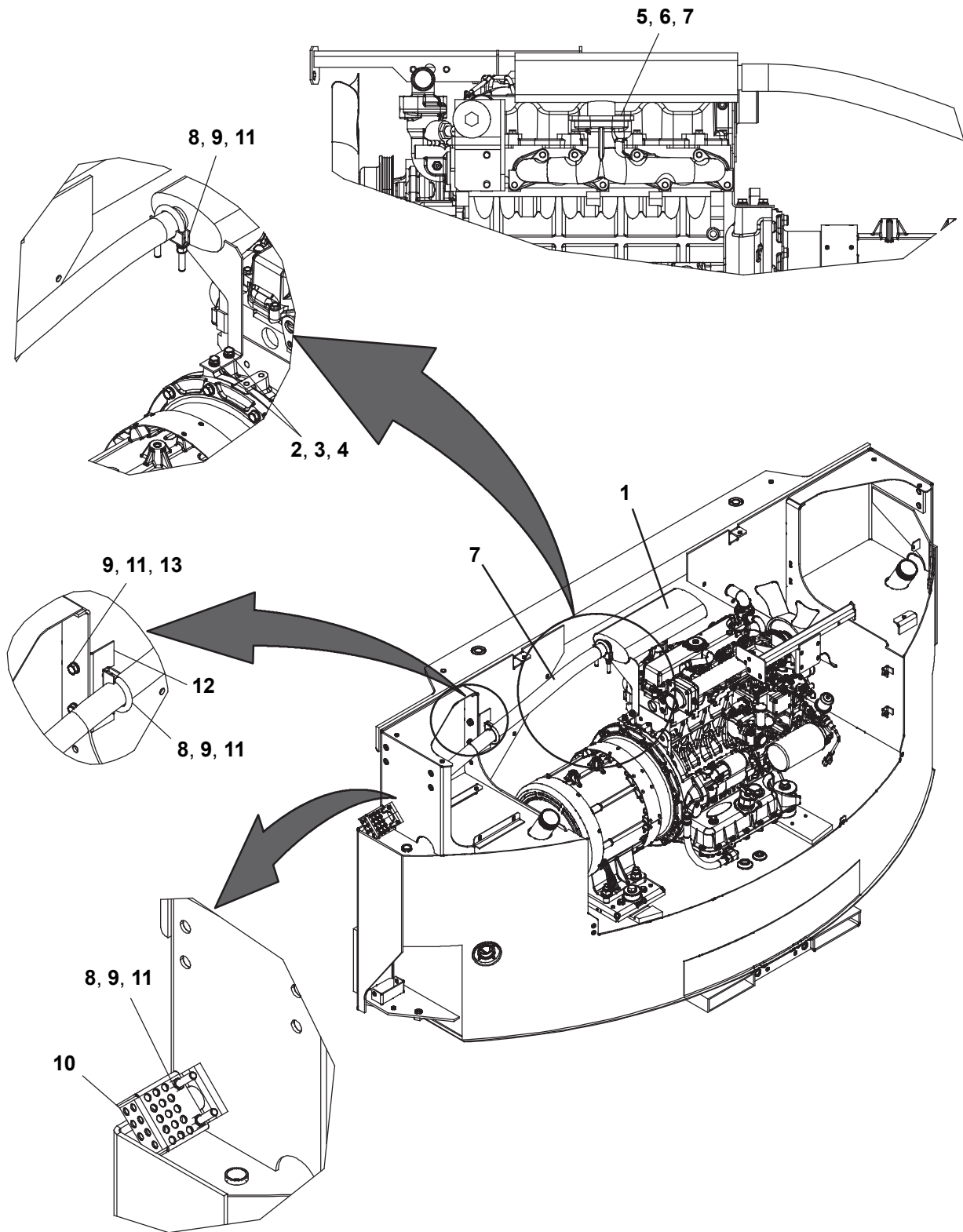


77-01587

Item	Part Number	Description	Qty
1	30-00426-05	Air Cleaner, Dry Element Includes:	1
2	30-00426-25	Filter Air Cleaner	1
3	44-00454-00	Bracket Air Cleaner	1
4	58-04836-00	Hose	1
5	KA69JM840	Clamp, Hose	2
6	34-00655-06	Screw, Cap Hex Head 1/4-20 X 0.75	2
7	34-00667-11	Nut, Self Lock	2
8	34-06212-12	Washer, Plain 1/4 N Type A	2
9	30-00328-00	Indicator Indicator & Fitting	1
10	40-00512-00	Elbow, Union 1/8 X 1/8 Fpt	1
11	40-01176-52	Nipple 1/8 X 1/8 Npt	1

77-01587-01

7 Exhaust System



77-01588

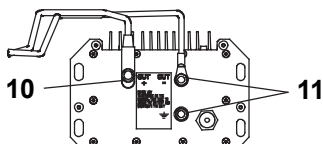
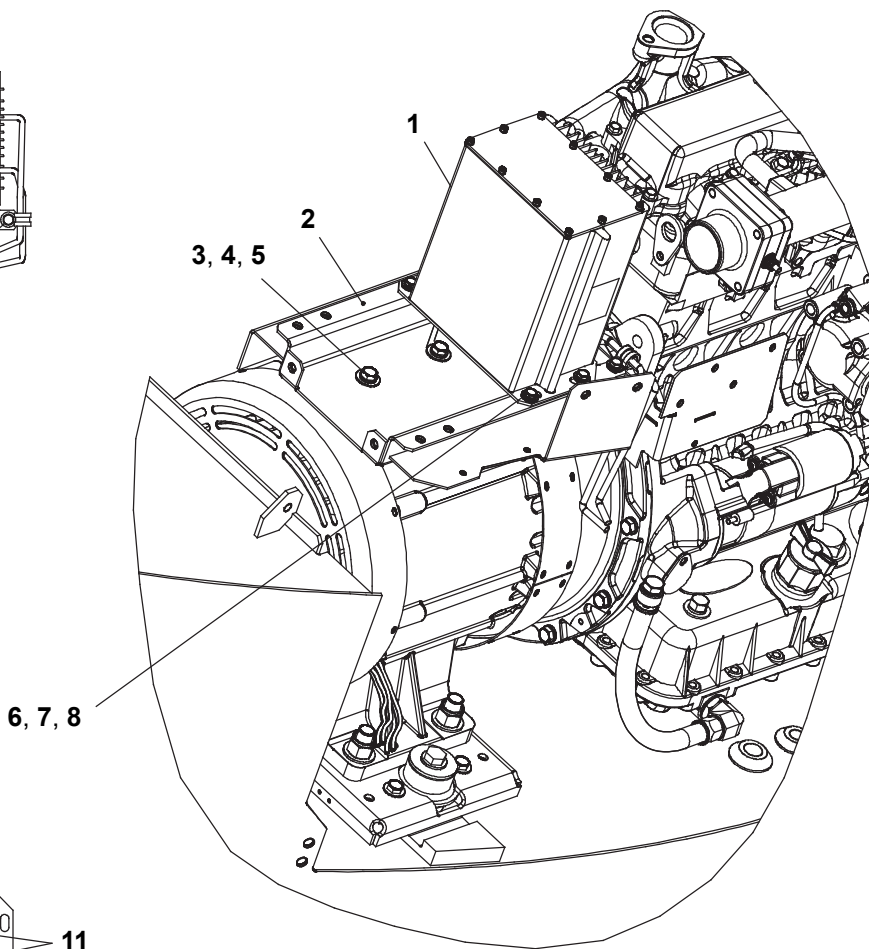
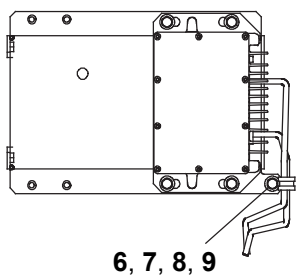
7 Exhaust System

Item	Part Number	Description	Qty
1	30-00424-02	Muffler	1
2	34-01146-08	Washer, Lock M8 Spring	2
3	34-01151-08	Washer, Flat M8	2
4	34-01153-15	Screw, Cap Hex Head 8mm X 15mm (.591)	2
5	34-00964-00	Stud M10 X 3/8-24 X 1.50	2
6	34-00932-13	Nut, Jam	4
7	30-00435-02	Pipe, Flexible 1.50 ID X 38.50Lg	1
8	30-00427-00	Clamp, U-Bolt 3/8-16 Diameter	3
9	34-00663-13	Washer, Lock 3/8 Spring	8
10	68-17187-00	Guard	1
11	66U1-5321-5	Washer, Plain 3/8 N Type A	10
12	68-17186-00	Bracket	1
13	34-00807-08	Screw, Cap Hex Head 3/8-16 X 1.00	2

77-01588-00

8 Solid State Battery Charger - PIDS Prior to RG2059

Top View of Charger



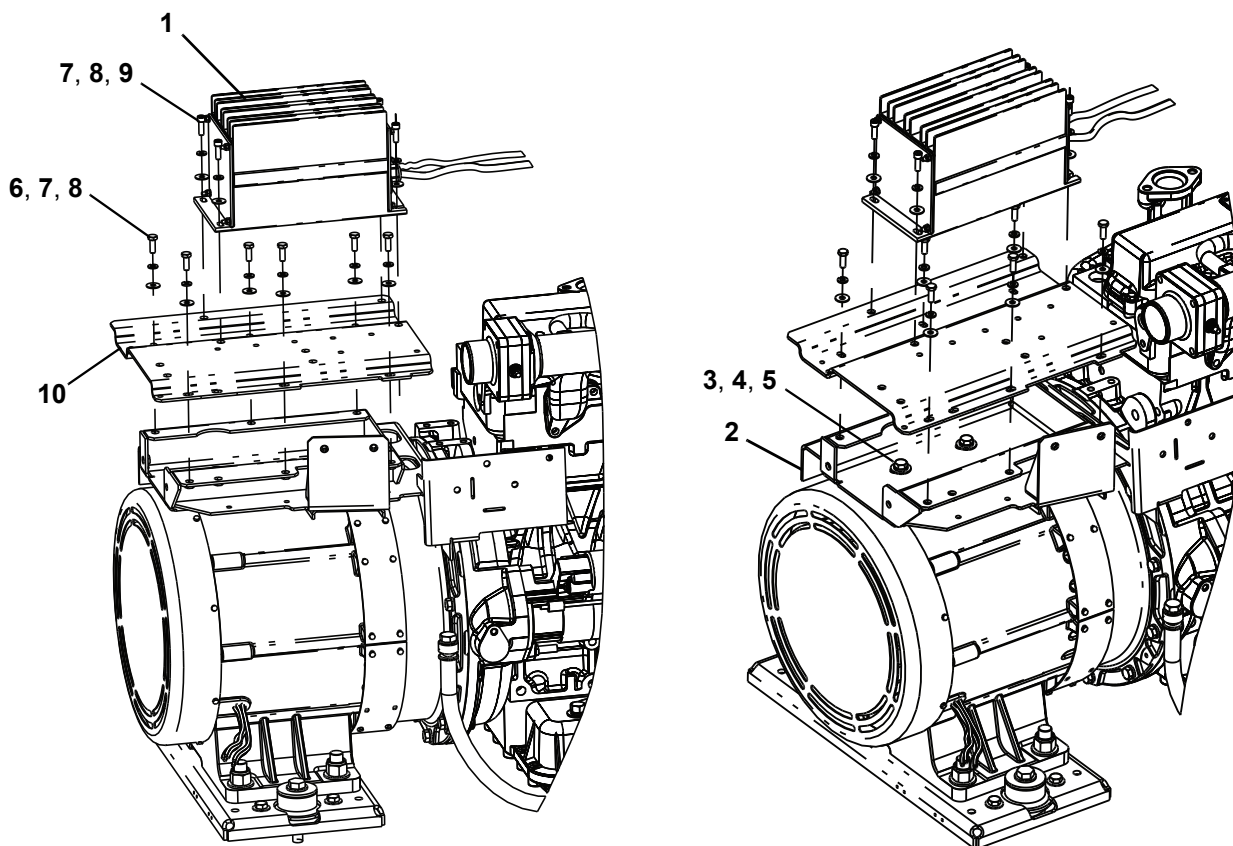
Bottom View of Charger

77-01589

Item	Part Number	Description	Qty
1	12-00683-04	Battery Charger	1
2	86-05051-00	Channel Assembly	1
3	34-00807-08	Screw, Cap Hex Head 3/8-16 X 1.00	2
4	34-00662-13	Washer, Plain 3/8	2
5	34-00663-13	Washer, Lock 3/8 Spring	2
6	34-00655-06	Screw, Cap Hex Head 1/4-20 X 0.75	5
7	34-00663-11	Washer, Lock 1/4 Spring	5
8	34-00662-11	Washer, Plain 1/4	5
9	34-00373-05	Clamp, Tube	1
10	34-01184-106	Nut, Lock	1
11	34-01184-108	Nut, Lock	2

77-01589-00

8 Solid State Battery Charger - PIDS RG2059 and Up



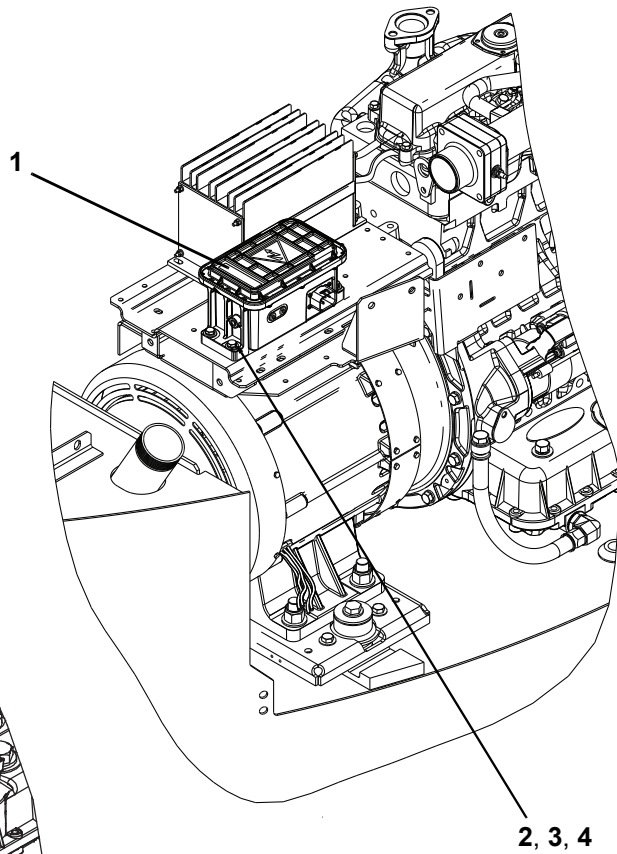
77-01832

Item	Part Number	Description	Qty
1	30-00460-06	Battery Charger	1
2	86-05180-00	Channel Assembly	1
3	34-00807-08	Screw, Cap Hex Head	2
4	34-00662-13	Washer, Plain	2
5	34-00663-13	Washer, Lock	2
6	34-00655-06	Screw, Cap Hex Head	6
7	34-00663-11	Washer, Lock	10
8	34-00662-11	Washer, Plain	10
9	34-06014-12	Screw, Cap	4
10	68-17935-00	Channel	1

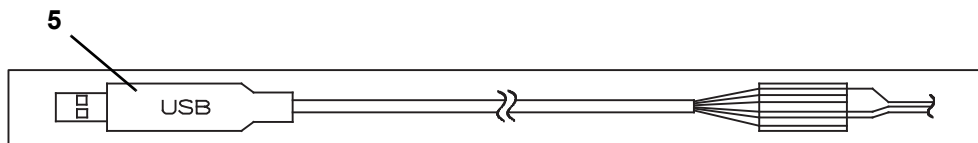
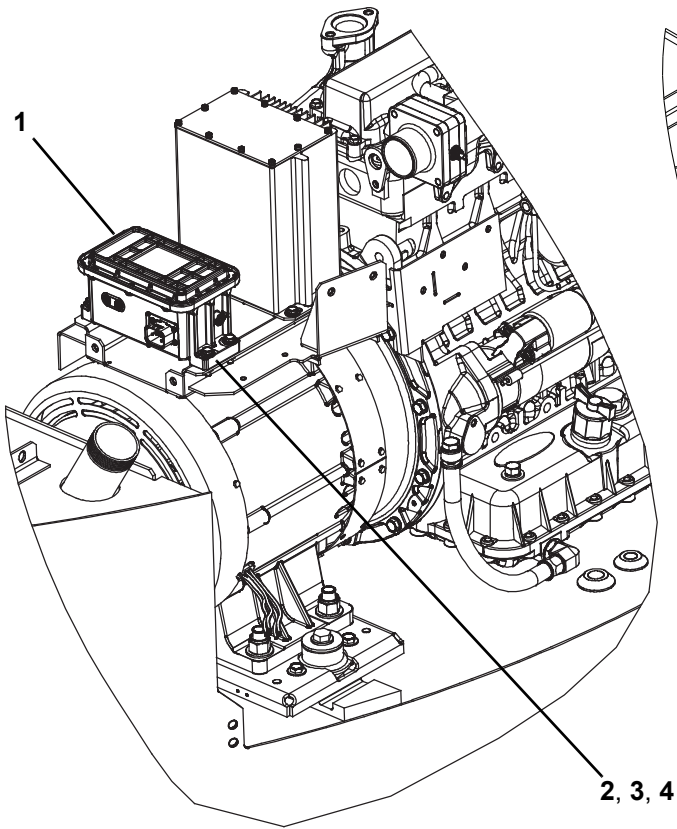
77-01832-00

9 Voltage Controller

PIDs RG2059 and Up



PIDs Prior to RG2059

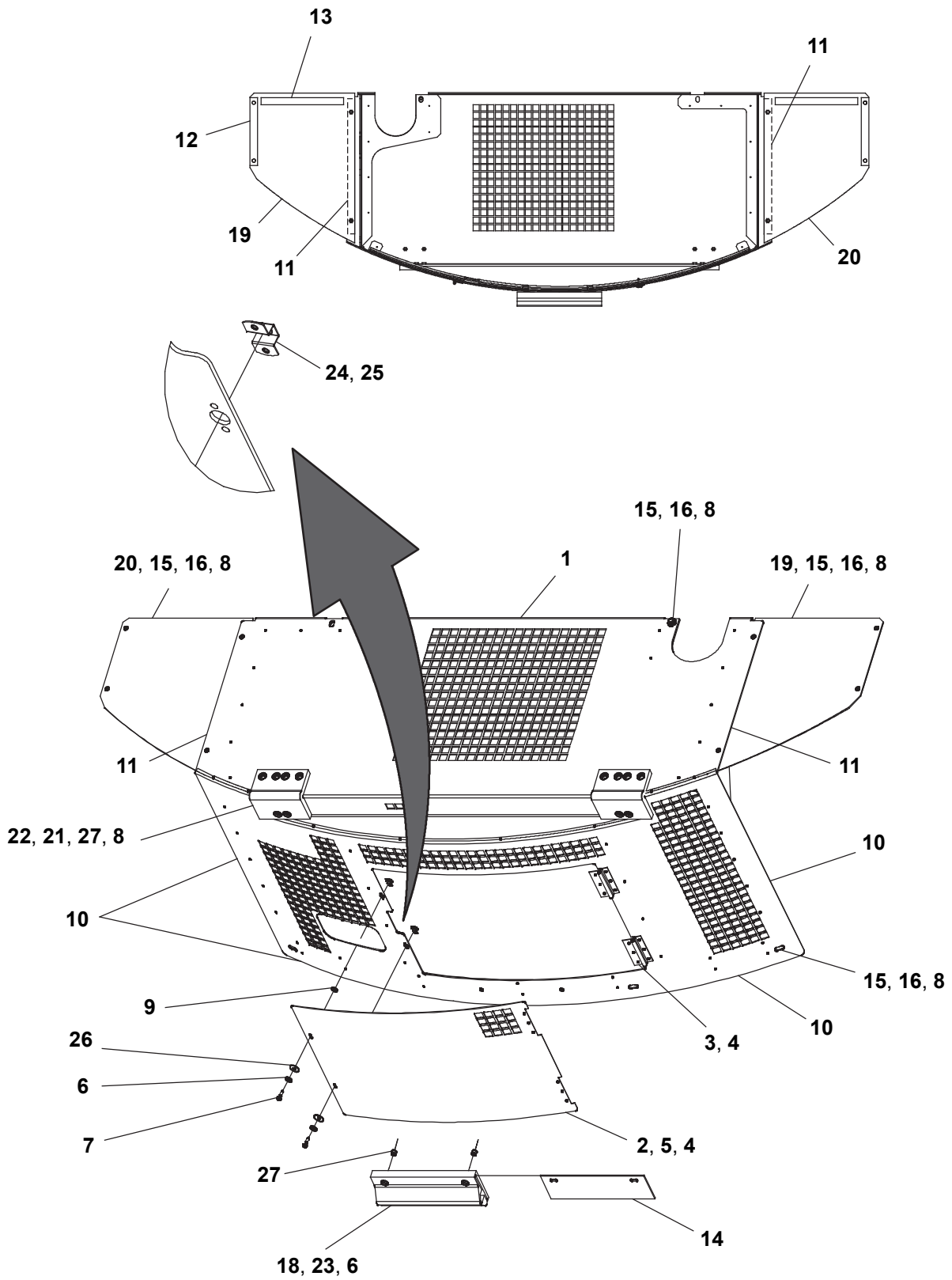


77-01597

Item	Part Number	Description	Qty
1	12-00707-03	Controller	1
2	34-00655-10	Screw, Cap Hex Head 1/4-20 X 1.25	4
3	34-00663-11	Washer, Lock 1/4 Spring	4
4	34-00662-11	Washer, Plain 1/4	4
5	12-00707-20	Voltage Controller Programing Cable	1

77-01597-01

10 Skins Kit



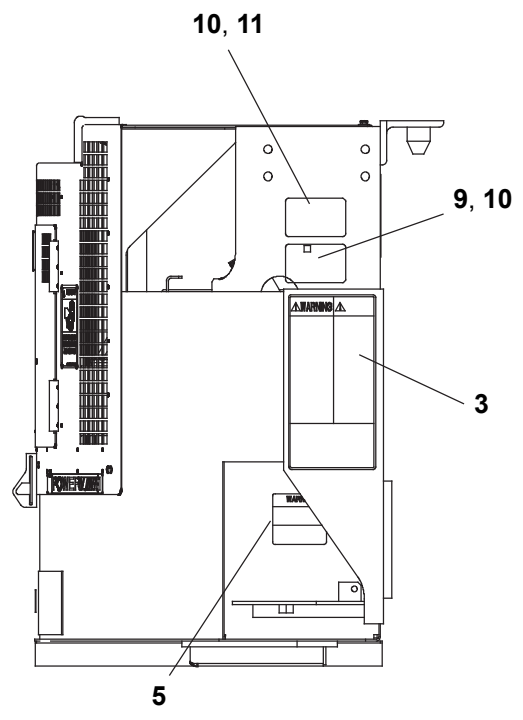
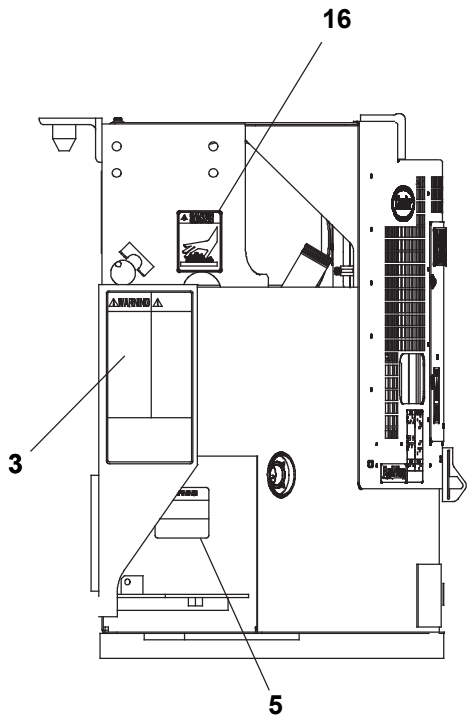
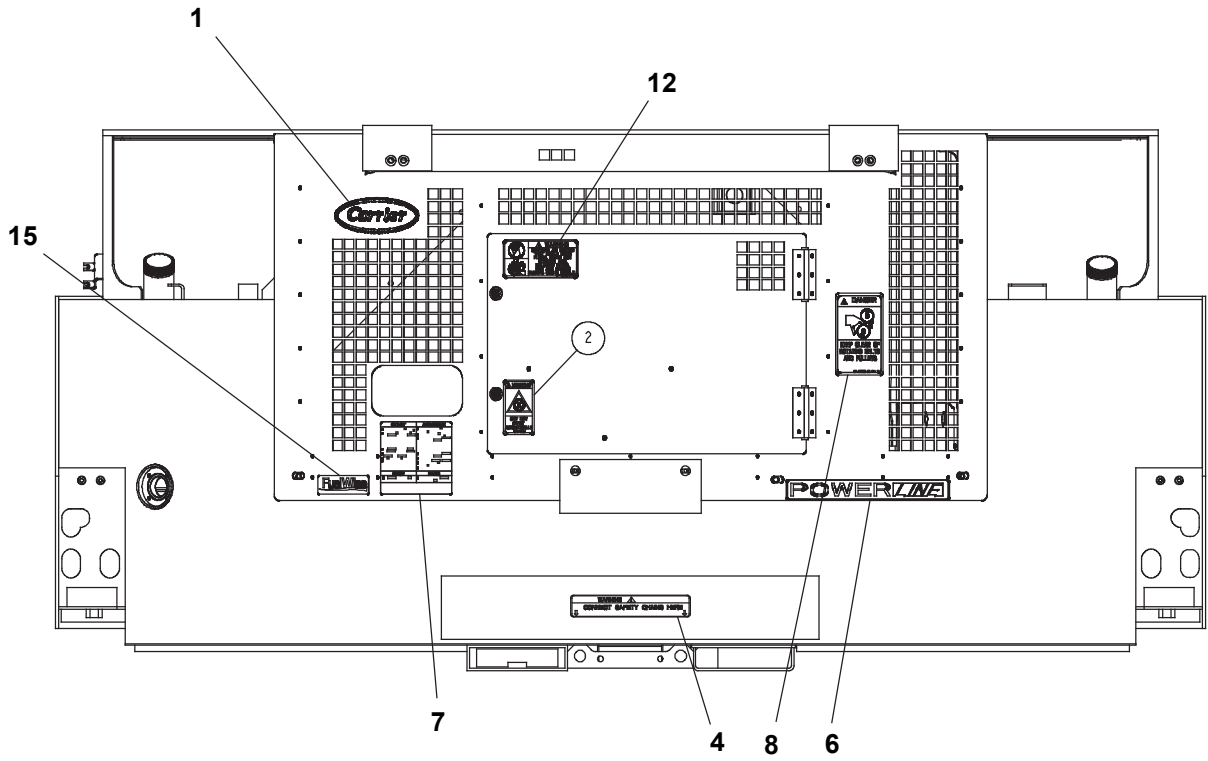
77-01590

10 Skins Kit

Item	Part Number	Description	Qty
1	86-04980-01	Cover Assembly	1
	79-01590-08	Door Assembly Includes:	
2	68-12540-00	Door, Access	1
3	44-00352-01	Hinge	2
4	34-00928-13	Rivet, Blind	12
5	66U1-2552-124	Gasket	2
6	34-00662-11	Washer, Plain 1/4 Medium	12
7	66U1-6811-12	Screw, Retaining	2
8	34-00662-12	Washer, Plain 5/16	2
9	34-01226-00	Washer	2
10	42-00363-01	Gasket	4
11	42-00269-12	Gasket	2
12	42-00269-13	Gasket	2
13	42-00269-14	Gasket	2
14	68-13483-00 P	late	1
15	66U1-5361-39	Screw, Cap Hex Head 5/16-18 X 1.00	13
16	34-00663-12	Washer, Lock 5/16 Spring	13
17	34-00662-12	Washer, Plain 5/16 this is also #8, smae PN	11
18	58-04402-00	Bumper	1
19	68-17323-00	Panel	1
20	68-17323-01	Panel	1
21	34-00655-06	Screw, Cap Hex Head 1/4-20 X 0.75	8
22	58-04433-00	Bumper	2
23	34-00655-08	Screw, Cap Hex Head 1/4-20 X 1.00	2
24	34-01142-01	Receptacle #12 Saddle Type	2
25	34-00928-01	Rivet, Blind	4
26	34-06053-03	Washer .250 ID X 1.000 OD	2
27	58-00836-23	Spacer	10

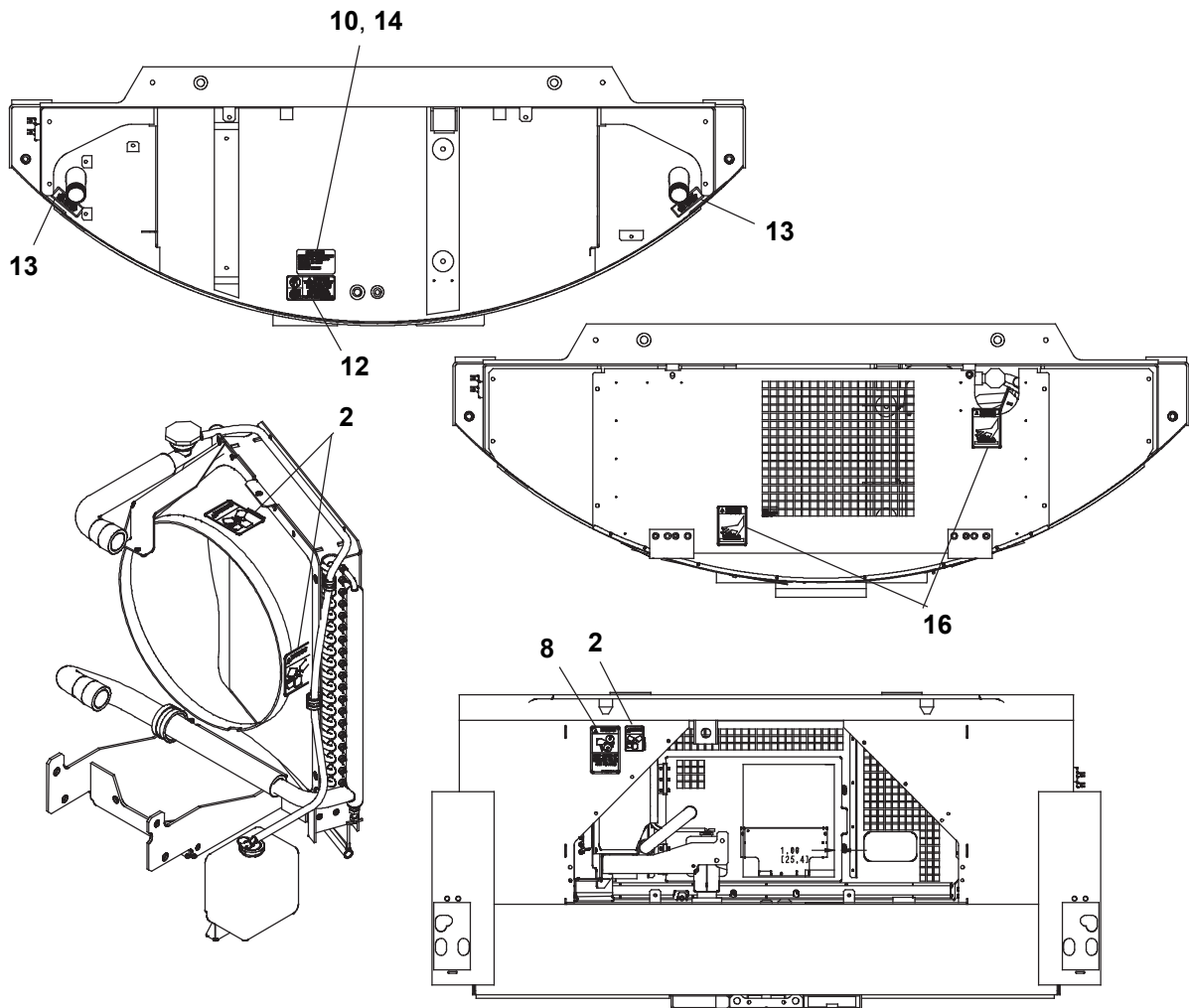
77-01590-00

11 Labels and Decals



77-01591

11 Labels and Decals

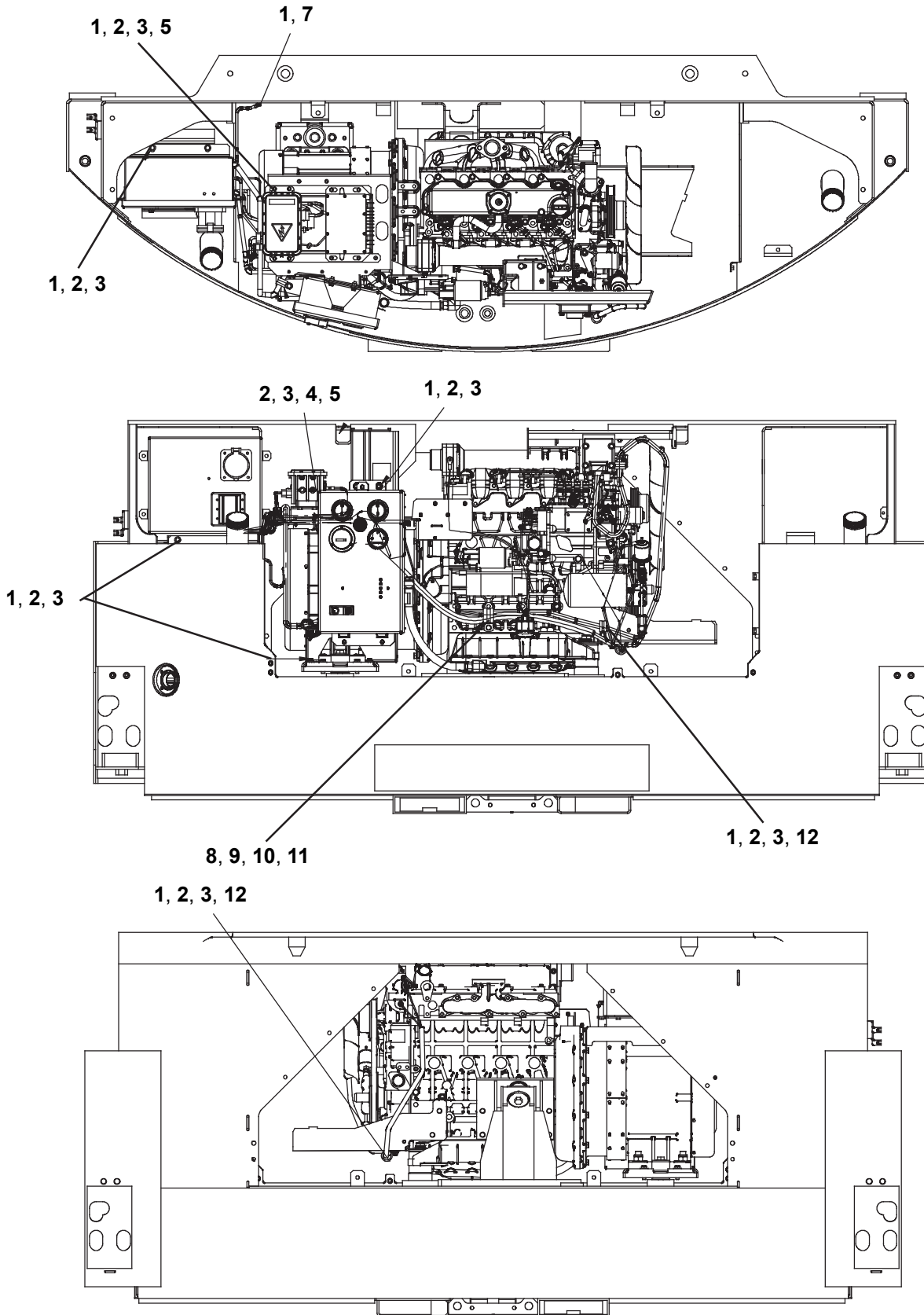


77-01591

Item	Part Number	Description	Qty
1	62-60390-03	Decal, Carrier 175 X 70	1
2	62-02895-00	Label, Fan Warning	3
3	62-02899-04	Label, Instl Pin Mount	2
4	62-02896-00	Label, Safety Chains	1
5	62-02897-00	Label, Warning Bolt Torque	2
6	62-10395-00	Label, RG Powerline	1
7	62-02717-08	Label, T4I Std, Start/Stop	1
8	62-02898-00	Label, Danger-Rotation	1
9	62-10572-00	Label, Genset	1
10	62-10391-01	Label, Protective	3
11	62-10571-00	Label, Genset	1
12	62-11302-00	Decal, Warning (Ether)	2
13	62-02181-02	Decal, Ulstd Only	2
14	62-10572-02	Label, Rg/Ug Emissions	1
15	62-11588-00	Label, Rg/Ug Fuelwise	1
16	62-02972-00	Decal Warning	3

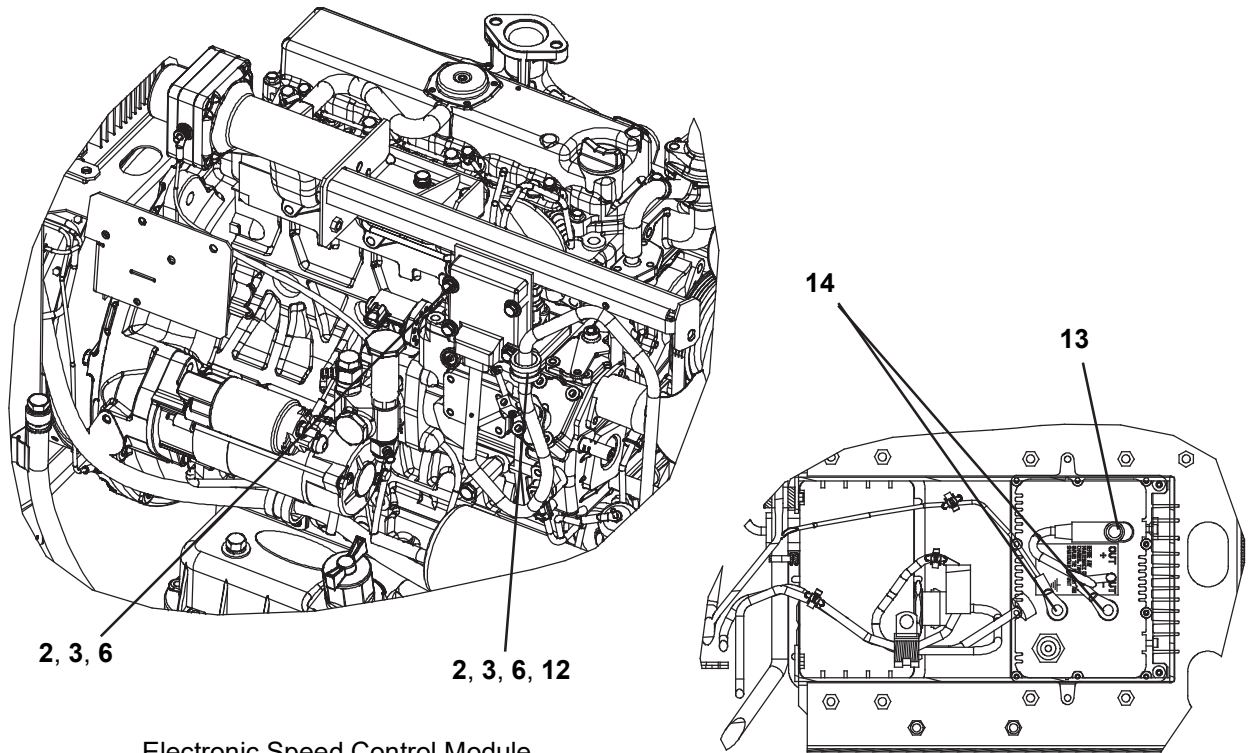
77-01591-04

12 Voltage



77-01592

12 Voltage



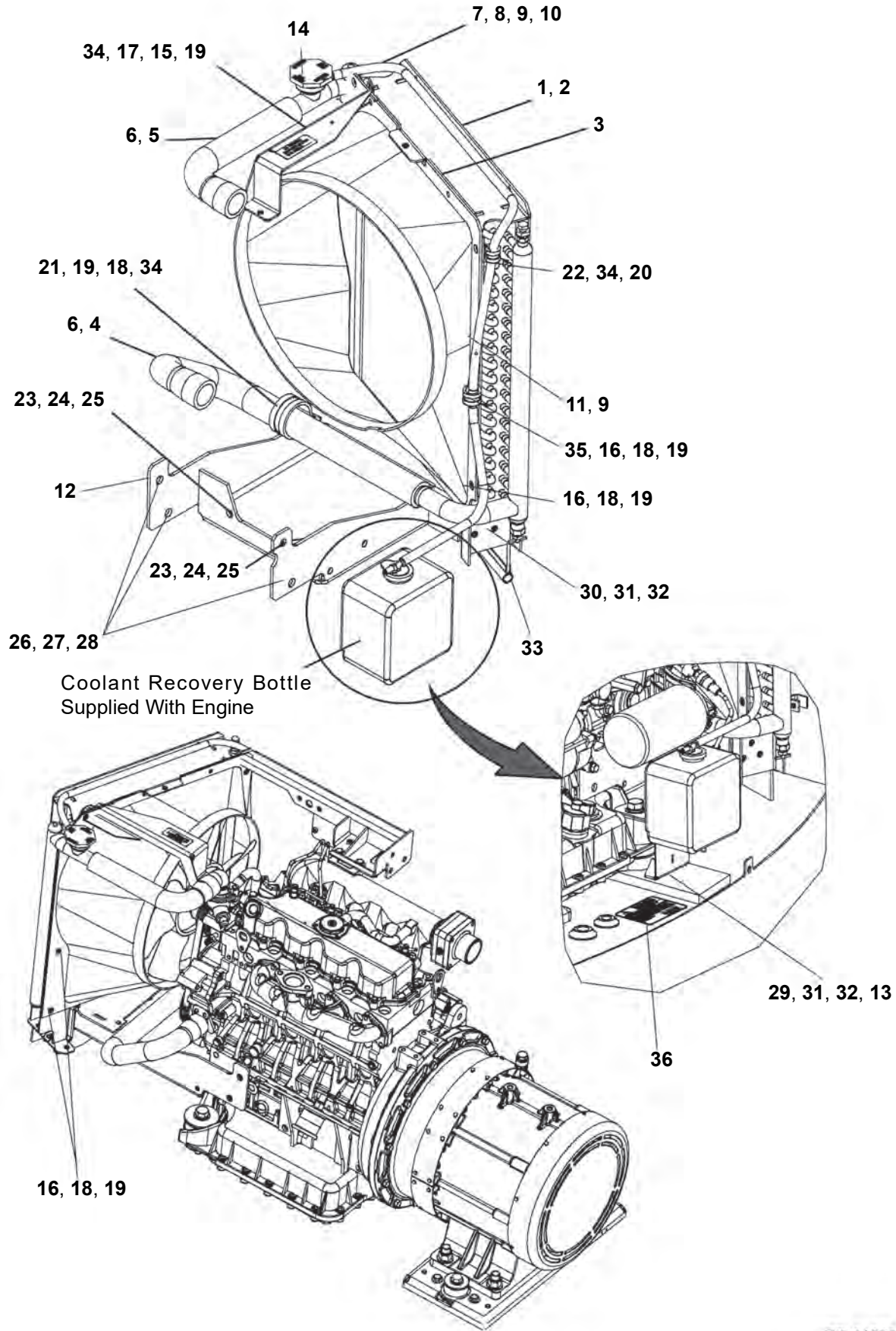
Electronic Speed Control Module
Supplied with Engine

77-01592

Item	Part Number	Description	Qty
1	34-00655-06	Screw, Cap Hex Head 1/4-20 X .75	14
2	34-00662-11	Washer, Plain 1/4	18
3	34-00663-11	Washer, Lock 1/4 Spring	18
4	34-00655-03	Screw, Cap Hex Head 1/4-20 X .38	1
5	44-00102-54	Clamp, Cushioned	4
6	66U1-5361-47	Bolt, Machine Hex Head 1/4-20 X 1.25 Lg	4
7	34-00372-41	Washer, Lock 1/4 Ext Tooth	1
8	44-00102-59	Clamp, Cushioned	1
9	34-01155-25	Screw, Cap Hex Head M12 X 25mm	1
10	34-01146-12	Washer, Lock M12 Spring	1
11	34-01151-12	Washer, Flat M12	1
12	44-00102-56	Clamp, Cushioned .88 Diameter	3
13	34-01184-06	Nut, Lock	1
14	34-01184-08	Nut, Lock	2

77-01592-00

13 Coolant System



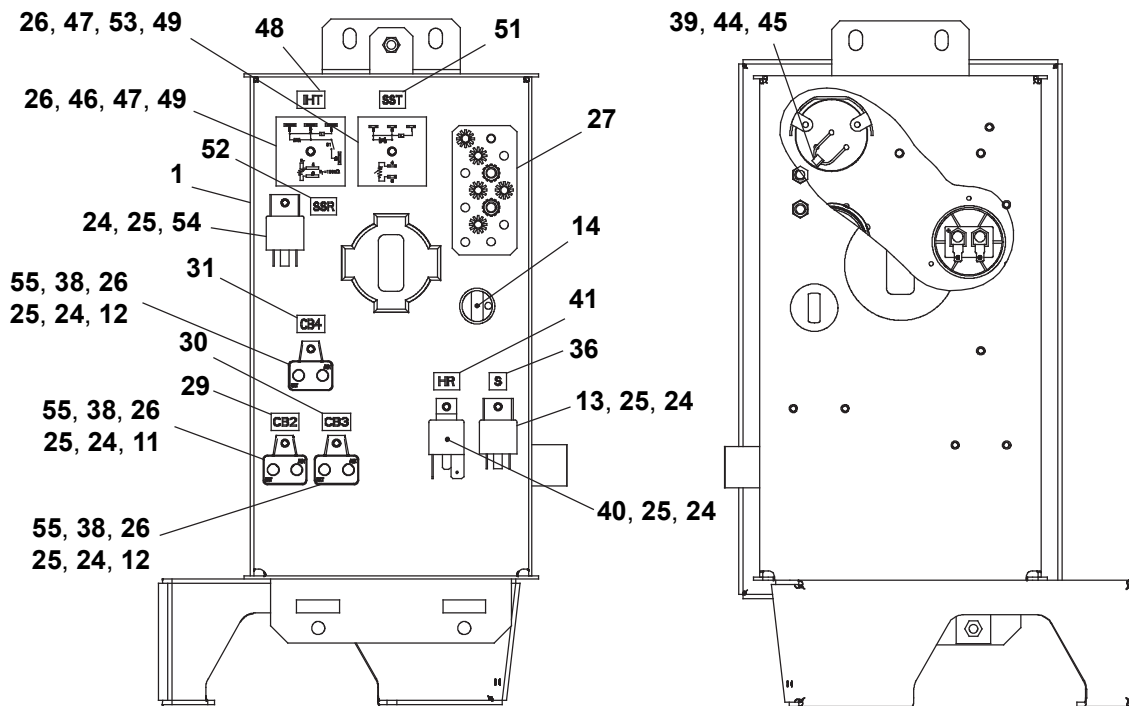
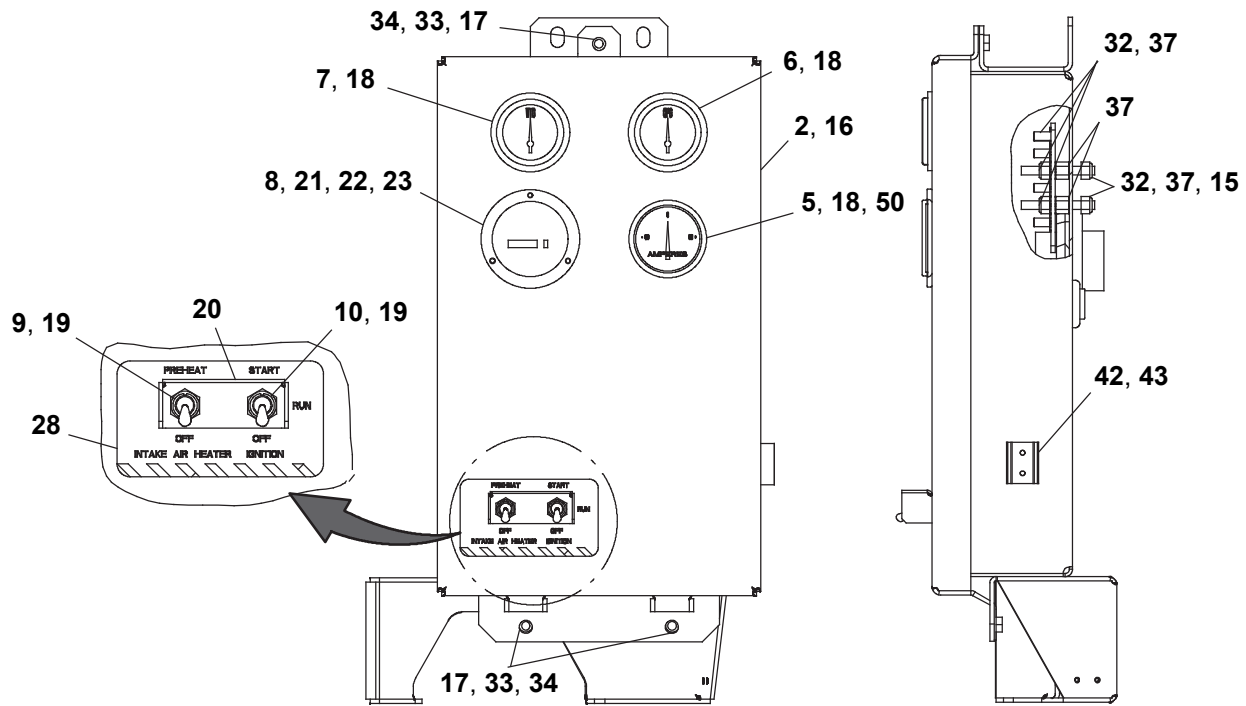
77-01593

13 Coolant System

Item	Part Number	Description	Qty
1	81-04054-00	Radiator Assembly Includes:	1
2	40-00117-01	Drain Cock	1
3	58-04765-00	Venturi	1
4	58-04268-00	Hose, Formed Inlet	1
5	58-04267-00	Hose, Formed Outlet	1
6	KA69JM824	Clamp, Hose	4
7	58-04184-04	Hose, Fuel 1/4 ID X 46.00	1
8	44-00388-00	Clamp, Hose	2
9	58-00079-02	Sta-Strap	4
10	58-04316-00	Base, Mounting	2
11	58-00848-46	Tube, Slit 1/2ID X 19Lg	1
12	86-04288-01	Support Assembly	1
13	86-04470-00	Bracket Assembly	1
14	30-00397-00	Cap, Radiator	1
15	86-04675-00	Support Assembly	1
16	34-00655-06	Screw, Cap Hex Head 1/4-20 X 0.75	4
17	34-00662-11	Washer, Plain 1/4	2
18	69NT35-2692-1	Washer, Fender 1/4	5
19	34-00663-11	Washer, Lock 1/4 Spring	6
20	34-00667-11	Nut, Self Lock	1
21	44-00102-61	Clamp, Cushioned	1
22	44-00102-52	Clamp, Cushioned	1
23	34-01154-25	Screw, Cap Hex Head M10 X 25mm	3
24	34-01151-10	Washer, Flat M10	3
25	34-01146-10	Washer, Lock M10 Spring	3
26	34-01155-25	Screw, Cap Hex Head M12 X 25mm	3
27	34-01151-12	Washer, Flat M12	3
28	34-01146-12	Washer, Lock M12 Spring	3
29	66U1-5361-6	Screw, Cap Hex Head 5/16-18 X 3/4	2
30	66U1-5361-39	Screw, Cap Hex Head 5/16-18 X 1.00	5
31	34-00663-12	Washer, Lock 5/16 Spring	7
32	66U1-5321-4	Washer, Plain 5/16 N Type A	7
33	42-00264-09	Seal Trim, White	1
34	34-00655-08	Screw, Cap Hex Head 1/4-20 X 1.00	3
35	44-00102-54	Clamp, Cushioned .75 Diameter	1
36	62-10903-00	Label Warning Coolant Mix	1

77-01593-01

14 Control Box - PIDS Prior to RG2059



91-00423

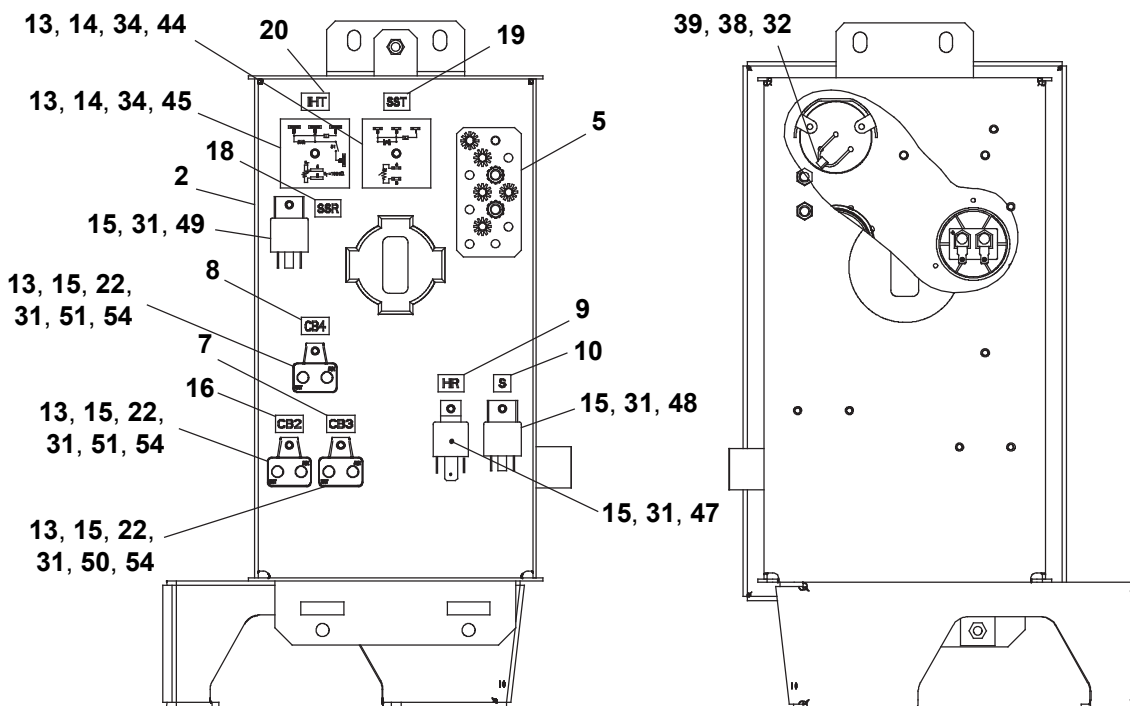
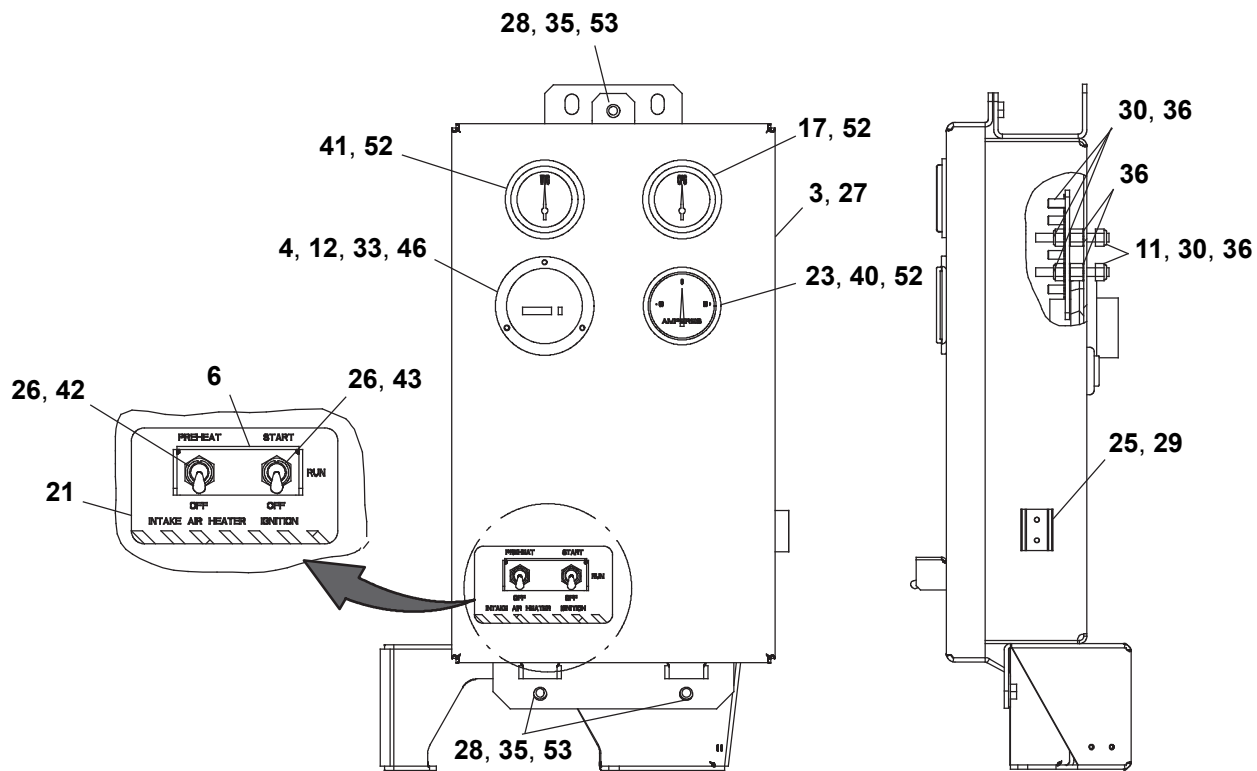
14 Control Box - PIDS Prior to RG2059

Item	Part Number	Description	Qty
1	91-00423-01	Box Assembly Includes	1
2	86-04998-01	Control Box	1
3	86-04997-00	Cover Control Box	
4	22-04283-01	Wire Harness	1
5	22-00538-01	Ammeter	1
6	66U1-2823	Gauge Oil Pressure	1
7	12-00097-03	Gauge Dual Water Temperature	1
8	10-00448-00	Meter Hour	1
9	10-01129-19	Switch, Toggle 4-Pole	1
10	10-01129-14	Switch, Toggle On/On/On Momentary	1
11	10-00171-12	Circuit Breaker 30 Amp	1
12	10-00171-13	Circuit Breaker 50 Amp	2
13	10-00286-18	Relay	1
14	22-04297-00	Wire Harness	1
15	66U1-9592-13	Standoff	2
16	42-00341-00	Gasket Control Box	1
17	34-00655-08	Screw, Cap Hex Head 1/4-20 X 1.00	3
18	KK71EW223	O-Ring	3
19	42-00583-00	Seal Panel Bushing	2
20	68-12973-00	Bracket	1
21	69GS4-1582-1	Gasket	1
22	66U1-6651-15	Screw, Machine Pan Head 4-40 X 3/4	3
23	34-00667-05	Nut, Self Lock	3
24	34-00667-08	Nut, Self Lock	6
25	66U1-5321-2	Washer, Plain 8 Type A	6
26	66U1-5331-3	Washer, Lock 10 Spring	8
27	69NT41-982-2	Strap Assembly Ground	1
28	62-02669-01	Label I hr & Ign Switches	1
29	66U1-3662-21	Label Cb2	1
30	66CH1-1002-5	Label Cb3	1
31	66CH1-1002-4	Label Cb4	1
32	34-00667-11	Nut, Self Lock	9
33	34-06212-12	Washer, Plain 1/4 N Type A	3
34	AU11JR171	Washer, Lock 1/4 Spring	3
35	66U1-8772	Diode 6 Amp	1
36	66CH1-1002-132	Label S	1

14 Control Box - PIDS Prior to RG2059

37	34-00372-41	Washer, Lock 1/4 Ext Tooth	11
38	AT39QA132	Nut, Hex 10-32	6
39	22-01030-54	Diode Assembly 6 Amp	1
40	10-00328-06	Relay 70A	1
41	66CH1-1002-38	Label Hr	1
42	44-00094-09	Clip, Spring	1
43	34-00928-03	Rivet, Blind	2
44	22-02200-06	Washer, Plain 6	2
45	34-00667-07	Nut, Self Lock	2
46	10-00469-00	Relay,12VDC, 50-60 Hertz	1
47	66U1-5321-8	Washer, Plain 10 Type A	2
48	62-10530-25	Label lht	1
49	34-00665-09	Nut, Hex 10-32	2
50	58-00836-13	Spacer Nylon	2
51	62-10530-31	Label Sst	1
52	62-10530-32	Label Ssr	1
53	10-00488-00	Timer 15 Second Delay 12VDC	1
54	10-00286-03	Relay Max 30 Amp	1
55	58-01427-00	Cap Round Silicone .187	6
			91-00421-01

14 Control Box - PIDS RG2059 and Up



91-00469

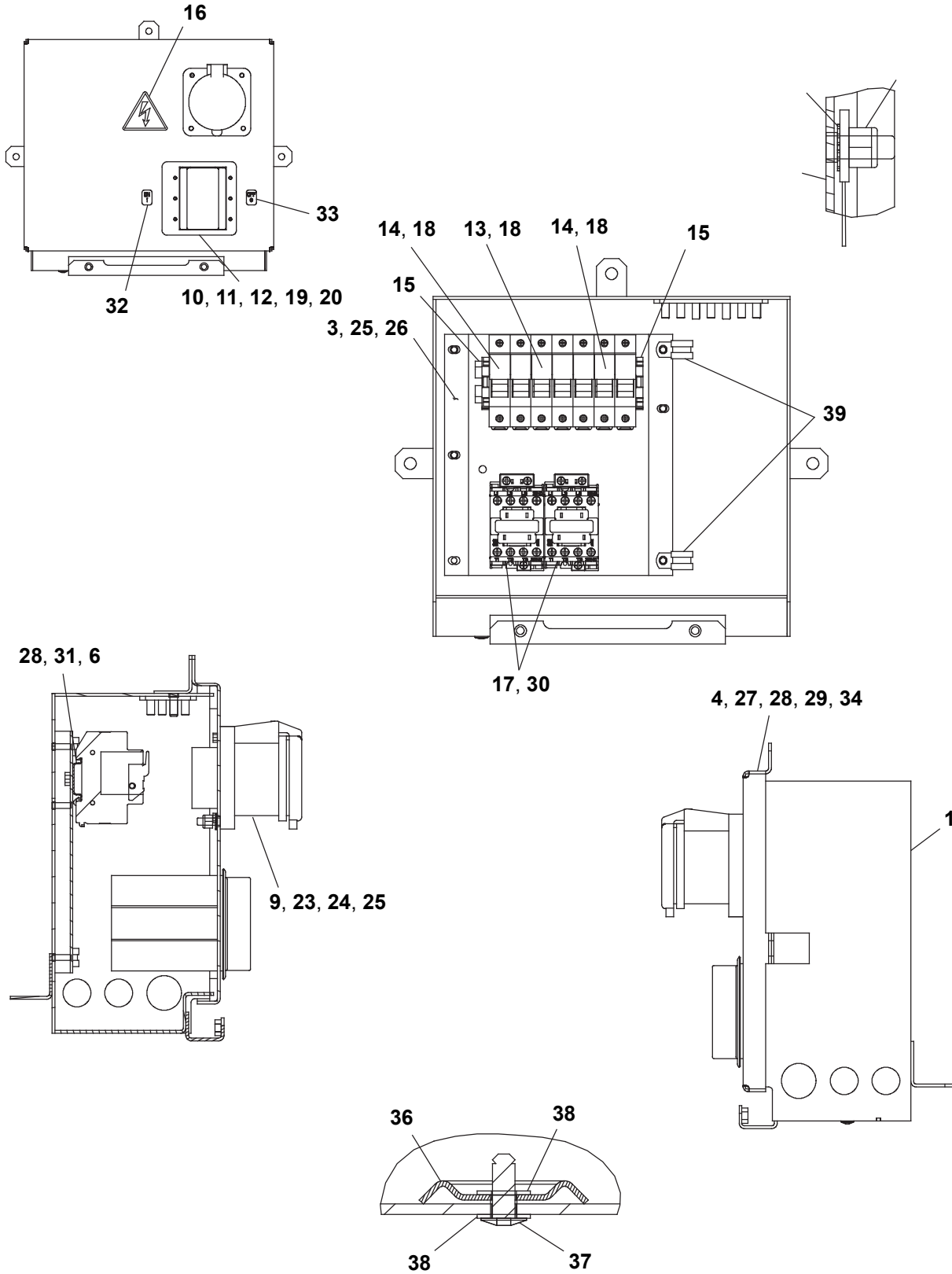
14 Control Box - PIDS RG2059 and Up

Item	Part Number	Description	Qty
1	91-00469-01	Box Assembly Includes:	1
2	86-05190-01	Box Assembly	1
3	86-04997-00	Cover	1
4	69GS-4-1582-1	Gasket	1
5	68-86230-00	Strap Assembly	1
6	68-12973-00	Bracket	1
7	66CH-1-1002-5	Label	1
8	66CH-1-1002-4	Label	1
9	66CH-1-1002-38	Label	1
10	66CH-1-1002-132	Label	1
11	66U-1-9592-13	Standoff	2
12	66U-1-6651-15	Screw	3
13	66U-1-5331-3	Washer, Lock	8
14	66U-1-5321-8	Washer, Plain	2
15	66U-1-5321-2	Washer, Plain	6
16	66U-1-3662-21	Label	1
17	66U-1-2823	Gauge	1
18	62-10530-32	Label	1
19	62-10530-31	Label	1
20	62-10530-25	Label	1
21	62-02669-01	Label	1
22	58-01427-00	Cap	6
23	58-00836-13	Spacer	2
24 (36)	58-00079-02	Sta-Strap	10
25	44-00094-09	Clip, Spring	1
26	42-00583-00	Seal	2
27	42-00341-00	Gasket	1
28	34-06212-12	Washer, Plain	3
29	34-00928-03	Rivet, Blind	2
30	34-00667-11	Nut, Self Lock	10
31	34-00667-08	Nut, Self Lock	6
32	34-00667-07	Nut, Self Lock	2
33	34-00667-05	Nut, Self Lock	3
34	34-00665-09	Nut, Hex	2
35	34-00655-08	Screw, Cap Hex Head	3
36	34-00372-41	Washer, Lock	12

14 Control Box - PIDS RG2059 and Up

37 (3)	22-04346-01	Wire Harness	1
38	22-02200-06	Washer, Plain	2
39	22-01030-54	Diode Assembly	1
40	22-00538-01	Ammeter	1
41	12-00097-03	Gauge	1
42	10-01129-19	Switch, Toggle	1
43	10-01129-14	Switch, Toggle	1
44	10-00488-00	Timer	1
45	10-00469-00	Relay, Td	1
46	10-00448-00	Meter	1
47	10-00328-06	Relay	1
48	10-00286-18	Relay	1
49	10-00286-03	Relay	1
50	10-00171-13	Circuit Breaker	1
51	10-00171-12	Circuit Breaker	2
52	KK71EW223	O-Ring	3
53	AU11JR171	Washer, Lock	3
54	AT39QA132	Nut, Hex	6
			91-00469-01

15 Receptacle Box - PIDS Prior to RG2059



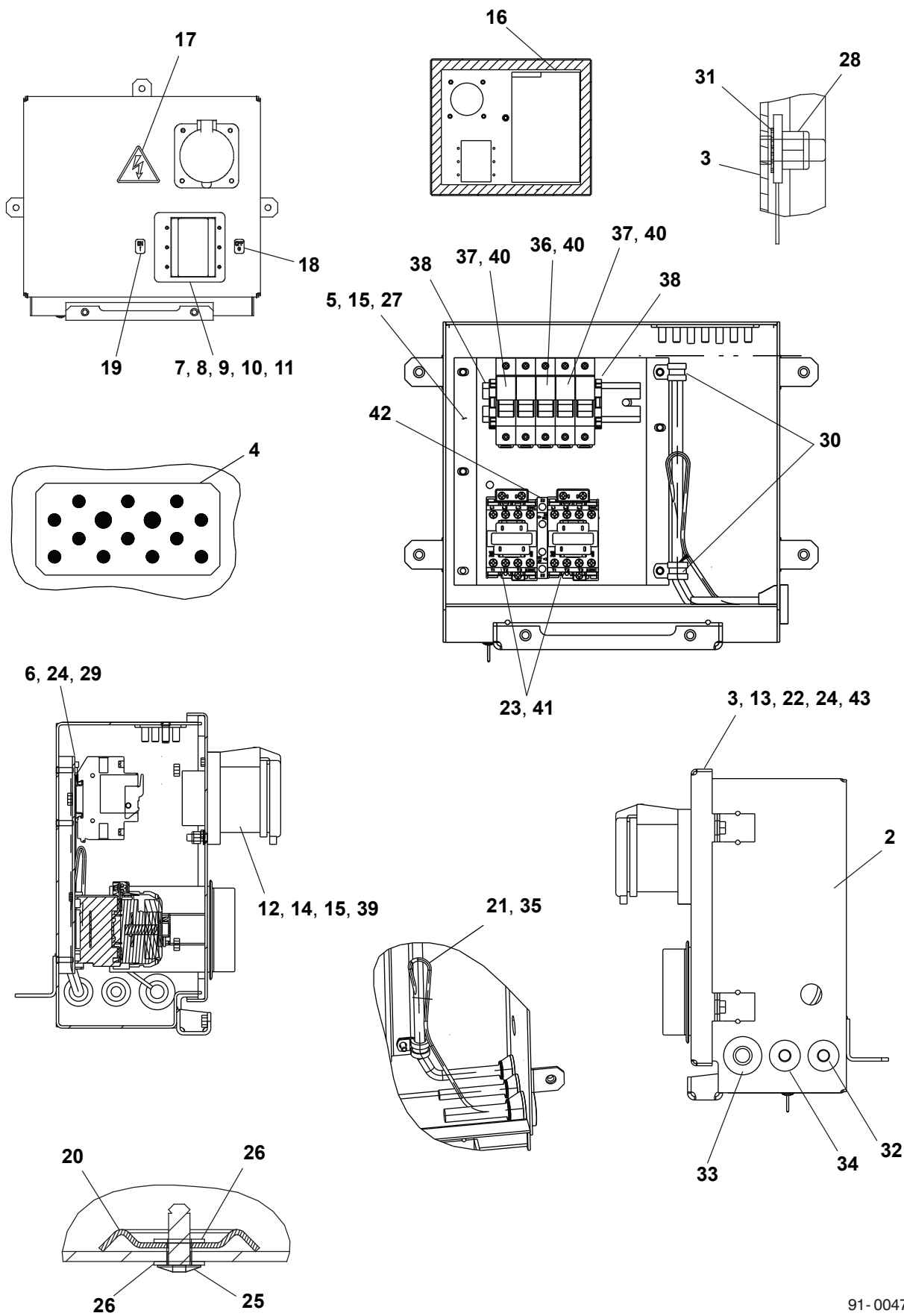
91-00424

15 Receptacle Box - PIDS Prior to RG2059

Item	Part Number	Description	Qty
1	91-00424	Box Assembly Includes:	1
2	86-05028-00	Receptacle Box	1
3	68-16798-00	Channel	1
4	86-05029-00	Weld Assembly Cover	1
5	22-04294-00	Wire Harness	1
6	68-15626-08	Rail	1
7	22-04295-00	Wire Harness	1
8	22-04296-00	Wire Harness	1
9	22-01679-00	Receptacle 32 Amp	1
10	66U1-7842-11	Circuit Breaker 480V	1
11	66CH1-1092-4	Boot, Frame Painted White	1
12	66U2-1391-1	Boot With Hardware	1
13	22-04178-10	Fuse Holder 3 Poles	1
14	22-04178-11	Fuse Holder 2 Poles	2
15	22-04158-00	Stop Din Rail	2
16	62-03957-04	Decal, Warning High Voltage	2
17	10-00431-07	Contactactor 30 Amp	2
18	22-01196-24	Fuse 5A 600V	7
19	66U1-7842-6	Nut, Hex 10-32 Circuit Breaker	6
20	66U1-7842-7	Washer, Flat #10-32	12
21	34-00372-41	Washer, Lock 1/4 Ext Tooth	10
22	34-00667-11	Nut, Self Lock	10
23	66U1-5371-6	Screw, Machine Hex Head #10-24 X 0.750 Slt'd	4
24	66U1-5331-3	Washer, Lock #10 Spring	4
25	66U1-5321-8	Washer, Plain #10 Type A	10
26	34-00795-09	Nut, Self Lock 11963	6
27	66U1-5361-25	Screw, Cap Hex Head 1/4-20 X .75	3
28	34-06212-12	Washer, Plain 1/4 N Type A	5
29	AU11JR171	Washer, Lock 1/4 Spring	3
30	34-06253-01	Screw, Cap #8-32 X 0.750	4
31	34-00655-04	Screw, Cap Hex Head 1/4-20 X 0.50	2
32	62-02670-00	Label On	1
33	62-02670-01	Label Off	1
34	42-00752-01	Gasket 69RG Receptacle Box Access Panel	1
35	62-11742-00	Label, Schematic 69RG, Hv, T4, Ce	1
36	58-00660-00	Washer Condensate Drain	1
37	34-00928-13	Rivet, Blind .187 Diameter .126-.250	1
38	34-00829-09	Washer, Plain #10 Sae .03 Thick	2
39	34-00373-54	Clamp, Tube .44 Diameter Cushion	2

91-00421-01

15 Receptacle Box - PIDS RG2059 and Up



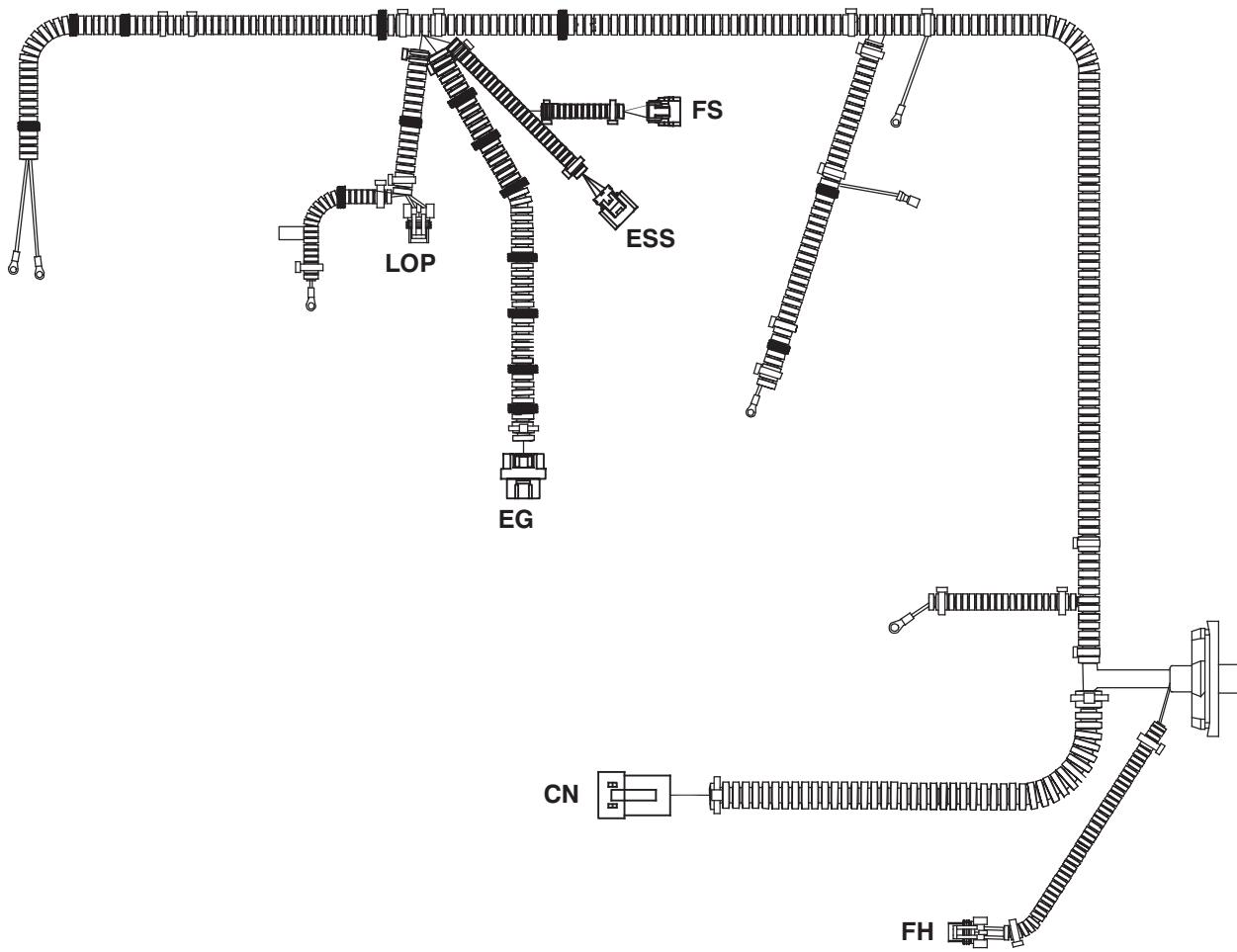
91-00470

15 Receptacle Box - PIDS RG2059 and Up

Item	Part Number	Description	Qty
1	91-00470-02	Receptacle Box includes:	1
2	86-05172-00	Box Assembly, Weld	1
3	86-05070-00	Weld Assembly	1
4	68-86230-00	Strap Assembly	1
5	68-16798-01	Channel	1
6	68-15626-08	Rail	1
7	66CH-1-1092-6	Boot, Frame	1
8	66U-2-1391-1	Boot	1
9	66U-1-7842-7	Washer, Flat	12
10	66U-1-7842-6	Nut, Hex	6
11	66U-1-7842-11	Circuit Breaker	1
12	66U-1-5371-6	Screw, Mach Hex Head	4
13	66U-1-5361-25	Screw, Cap Hex Head	4
14	66U-1-5331-3	Washer, Lock	4
15	66U-1-5321-8	Washer, Plain	10
16	62-11959-00	Label, Schematic	1
17	62-03957-04	Decal, Warning	2
18	62-02670-01	Label	1
19	62-02670-00	Label	1
20	58-00660-00	Washer	1
21	58-00079-02	Sta-Strap	11
22	42-00752-01	Gasket	1
23	34-06253-01	Screw, Cap	4
24	34-06212-12	Washer, Plain	6
25	34-00928-13	Rivet, Blind	1
26	34-00829-09	Washer, Plain	2
27	34-00795-09	Nut, Self Lock	6
28	34-00667-11	Nut, Self Lock	9
29	34-00655-04	Screw, Cap Hex Head	2
30	34-00373-53	Clamp, Tube	2
31	34-00372-41	Washer, Lock	9
32	22-04404-00	Wire Harness	1
33	22-04403-00	Wire Harness	1
34	22-04348-00	Wire Harness	1
35	22-04183-02	Heat Shrink	1
36	22-04178-12	Fuse Holder	1
37	22-04178-11	Fuse Holder	2
38	22-04158-00	Stop	2
39	22-01679-00	Receptacle	1
40	22-01196-24	Fuse	5
41	10-00431-01	Contactor	2
42	10-00392-20	Auxiliary Contacts	1
43	AU11JR171	Washer, Lock	4

91-00470-02

16 Wire Harness



22-04283-01

Item	Part Number	Description	Qty
1		Engine Speed Sensor (ESS) Connector - Includes:	
	22-50098-50	Block	1
	22-50098-50A	Terminal	3
	22-50098-50E	Seal	3
	22-50098-50D	Lock	1
2		Fuel Solenoid (FS) Connector - Includes:	
	22-50098-62	Block	1
	22-50098-62C	Terminal	2
	22-50098-62B	Seal	2

16 Wire Harness			
3		Low Oil Pressure (LOP) Connector - Includes:	
	22-50078-02	Block	1
	22-01756-01	Terminal	2
	22-50078-51B	Seal	2
	22-50078-01A	Lock	1
4		Fuel Heater (FH) Connector - Includes:	
	22-50078-02	Block	1
	22-01756-02	Terminal	2
	22-50078-51C	Seal	2
	22-50078-01A	Lock	1
5		(CN) Connector - Includes:	
	22-50099-71	Block	1
	22-50099-71A	Lock	1
	22-50099-71B	Socket	2
6		Electronic Governor (EG) Module Connector - Includes:	
	22-50098-61	Block	1
	22-50098-61A	Terminal	10
	22-50098- 61C	Plug	16

INDEX

Numerics

10-00158-02	4	22-50078-51B	41
10-00171-12	31, 35	22-50078-51C	41
10-00171-13	31, 35	22-50098- 61C	41
10-00286-03	35	22-50098-50	40
10-00286-18	31, 35	22-50098-50A	40
10-00328-06	35	22-50098-50D	40
10-00392-20	39	22-50098-50E	40
10-00431-01	39	22-50098-61	41
10-00431-07	37	22-50098-61A	41
10-00448-00	31, 35	22-50098-62	40
10-00469-00	35	22-50098-62B	40
10-00488-00	35	22-50098-62C	40
10-01129-14	31, 35	22-50099-71	41
10-01129-19	31, 35	22-50099-71A	41
12-00097-03	31, 35	22-50099-71B	41
12-00098-04	4	26-00136-13SV	4
12-00592-02	4	30-00328-00	15
12-00683-04	18	30-00397-00	29
12-00707-03	20	30-00424-02	17
12-00707-20	20	30-00426-05	15
12-00722-00	10	30-00426-25	15
12-00722-21	10	30-00427-00	17
22-00538-01	31, 35	30-00435-02	17
22-01030-54	35	30-00460-06	19
22-01196-24	37, 39	30-00463-00	4
22-01633-91	13	30-01122-00	9
22-01633-92	13	30-50349-00	13
22-01679-00	37, 39	34-00372-41	27, 34, 37, 39
22-01756-01	41	34-00373-05	18
22-01756-02	41	34-00373-53	39
22-02200-06	35	34-00373-54	37
22-04158-00	37, 39	34-00655-03	27
22-04178-10	37	34-00655-04	37, 39
22-04178-11	37, 39	34-00655-06	15, 18, 19, 23, 27, 29
22-04178-12	39	34-00655-08	9, 13, 23, 29, 31, 34
22-04183-02	39	34-00655-10	20
22-04283-01	31	34-00655-12	13
22-04294-00	37	34-00662-11	13, 18, 19, 20, 23, 27, 29
22-04295-00	37	34-00662-12	13, 23
22-04296-00	37	34-00662-13	18, 19
22-04297-00	31	34-00663-11	9, 13, 18, 19, 20, 27, 29
22-04346-01	35	34-00663-12	10, 23, 29
22-04348-00	39	34-00663-13	4, 17, 18, 19
22-04403-00	39	34-00665-09	34
22-04404-00	39	34-00667-05	31, 34
22-50078-01A	41	34-00667-07	34
22-50078-02	41	34-00667-08	31, 34
		34-00667-11	13, 15, 29, 31, 34, 37, 39
		34-00667-12	8, 9, 13

34-00667-13	4, 8	40-00107-01	4
34-00667-15	4	40-00117-01	29
34-00792-10	10	40-00420-01	9
34-00795-09	37, 39	40-00420-02	9
34-00795-17	4	40-00469-00	9
34-00804-18	4	40-00512-00	15
34-00807-08	17, 18, 19	40-00697-00	9
34-00807-10	4	40-00739-01	10
34-00807-12	4	40-01156-00	9
34-00829-09	37, 39	40-01176-52	15
34-00829-13	4	42-00264-09	29
34-00829-15	4	42-00269-12	23
34-00833-24	4	42-00269-13	23
34-00890-08	4	42-00269-14	23
34-00890-09	4	42-00341-00	31, 34
34-00928-01	23	42-00363-01	23
34-00928-03	34	42-00583-00	31, 34
34-00928-13	23, 37, 39	42-00752-01	37, 39
34-00932-13	17	42-01133-00	10
34-00964-00	17	44-00045-25	9
34-01142-01	23	44-00046-13	9
34-01145-06	4	44-00094-09	34
34-01146-08	4, 17	44-00102-52	10, 29
34-01146-10	29	44-00102-54	27, 29
34-01146-12	27, 29	44-00102-56	27
34-01146-58	6	44-00102-59	27
34-01151-08	17	44-00102-61	29
34-01151-10	29	44-00317-00	10
34-01151-12	27, 29	44-00352-01	23
34-01153-15	4, 17	44-00388-00	29
34-01154-25	29	44-00402-00	8
34-01155-25	27, 29	44-00454-00	15
34-01184-06	27	44-01143-09	13
34-01184-08	27	48-00449-00	9
34-01184-106	18	50-01195-00	6
34-01184-108	18	50-60330-03	4
34-01226-00	23	54-00669-25	4
34-01369-50	6	58-00079-02	4, 10, 13, 29, 34, 39
34-06014-12	19	58-00658-10	9
34-06053-03	23	58-00659-18	10
34-06060-01	4	58-00659-21	9
34-06149-04	8	58-00660-00	37, 39
34-06200-00	8	58-00836-13	34
34-06201-00	8	58-00836-23	23
34-06207-00	8	58-00848-02	10
34-06212-12	9, 15, 31, 34, 37, 39	58-00848-22	10
34-06229-00	8	58-00848-26	10
34-06247-05	13	58-00848-35	9
34-06253-01	37, 39	58-00848-45	10
38-00152-00	4	58-00848-46	29
40-00067-01	4	58-00858-30	9

58-00858-35	4	66U1-3662-21	31
58-00969-00	10, 13	66U-1-5321-2	34
58-01427-00	34	66U1-5321-2	31
58-04184-04	29	66U1-5321-4	8, 10, 29
58-04267-00	29	66U1-5321-5	17
58-04268-00	29	66U-1-5321-8	34, 39
58-04316-00	29	66U1-5321-8	37
58-04402-00	23	66U1-5321-9	4
58-04433-00	23	66U-1-5331-3	34, 39
58-04765-00	29	66U1-5331-3	31, 37
58-04836-00	15	66U1-5331-8	4
62-02181-02	25	66U1-5331-9	4
62-02669-01	31, 34	66U-1-5361-25	39
62-02670-00	37, 39	66U1-5361-25	37
62-02670-01	37, 39	66U1-5361-36	4
62-02717-08	25	66U1-5361-38	9
62-02895-00	25	66U1-5361-39	23, 29
62-02896-00	25	66U1-5361-47	27
62-02897-00	25	66U1-5361-6	29
62-02898-00	25	66U-1-5371-6	39
62-02899-04	25	66U1-5371-6	37
62-02972-00	25	66U-1-6651-15	34
62-03957-04	37, 39	66U1-6651-15	31
62-10391-01	25	66U1-6811-12	23
62-10395-00	25	66U-1-7842-11	39
62-10530-25	34	66U1-7842-11	37
62-10530-31	34	66U-1-7842-6	39
62-10530-32	34	66U1-7842-6	37
62-10571-00	25	66U-1-7842-7	39
62-10572-00	25	66U1-7842-7	37
62-10572-02	25	66U1-8772	31
62-10903-00	29	66U-1-9592-13	34
62-11302-00	25	66U1-9592-13	31
62-11588-00	25	66U-2-1391-1	39
62-11742-00	37	66U2-1391-1	37
62-11959-00	39	68-12540-00	23
62-60390-03	25	68-12973-00	31, 34
66CH-1-1002-132	34	68-13483-00 P	23
66CH1-1002-132	31	68-15626-08	37, 39
66CH-1-1002-38	34	68-16798-00	37
66CH-1-1002-4	34	68-16798-01	39
66CH1-1002-4	31	68-17186-00	17
66CH-1-1002-5	34	68-17187-00	17
66CH1-1002-5	31	68-17287-00	13
66CH1-1092-4	37	68-17323-00	23
66CH-1-1092-6	39	68-17323-01	23
66U1-2552-124	23	68-17348-00	13
66U-1-2823	34	68-17754-00	8
66U1-2823	31	68-17756-00	8
66U1-2823-3	4	68-17757-00	8
66U-1-3662-21	34	68-17935-00	19

68-86230-00	34, 39
69GC-15-3212	9
69GS-4-1582-1	34
69GS4-1582-1	31
69NT35-2692-1	29
69NT41-982-2	31
73-00175-01	4
73-00198-00	4
73-00305-00	4
79-01590-08	23
81-04054-00	29
81-04093-01	9
81-04100-00	9
86-04288-01	29
86-04470-00	29
86-04675-00	29
86-04768-01	4
86-04954-00	7
86-04980-01	23
86-04997-00	31, 34
86-04998-01	31
86-04999-00	4
86-05027-00	4
86-05028-00	37
86-05029-00	37
86-05051-00	18
86-05070-00	39
86-05106-00	13
86-05172-00	39
86-05180-00	19
86-05190-01	34
91-00423-01	31, 34
91-00424	37
91-00470-02	39

A

AA06BZ300	4
AT39QA132	35
AU11JR171	31, 35, 37, 39

K

KA69JM824	29
KA69JM840	15
KK71EW223	31, 35



Carrier Transicold Division,
Carrier Corporation
P.O. Box 4805
Syracuse, NY 13221 USA

<https://www.carrier.com/container-refrigeration>