

The logo features the word "Carrier" in a large, bold, italicized serif font, with "TRANSICOLD" in a smaller, all-caps sans-serif font directly below it. The text is contained within a white oval shape that is part of a larger graphic of several thick, parallel black diagonal stripes running from the top-left towards the bottom-right of the page.

Carrier
TRANSICOLD

SERVICE PARTS LIST

A series of approximately ten horizontal black lines of varying thickness, stacked vertically and slightly offset to the right, creating a decorative graphic element below the main title.

***CONTAINER
REFRIGERATION UNIT***

***MODELS
69NT20-234
69NT20-254-5 thru -56
69NT40-394/424-1***



SERVICE PARTS LIST

CONTAINER REFRIGERATION UNIT

MODELS 69NT20–234 69NT20–254–5 thru –56 69NT40–394/424–1

CONTENTS

Introduction	i
Ordering Instructions	i
Letter Designations	i
Model Chart	i
1. Quick List – Clamps, Filter–drier, Fuse, Ty–raps, And Wire Terminals	1
2. Tools	1
3. Refrigeration Unit Assembly	2
3.1 Refrigeration Unit – Front	2
3.2 Compressor, Condenser, And Power Transformer	4
3.3 Condenser/Receiver, Filter–drier, & Moisture–liquid Indicator ...	6
3.4 Recording Thermometer(Partlow)	8
3.5 Recording Thermometer (Saginomiya)	10
3.6 Evaporator Section – Rear Panels Removed	11
3.7 Control Box Door, Switches And Status Indicator	12
3.8 Control Box	14
3.9 Control Box – High Voltage Shield Removed	16
3.10 Evaporator Section – Rear Panels Attached	18
3.11 Thermostatic Expansion Valve – Alco	20
3.12 Suction Solenoid Valve	21
3.13 Labels and Decals	22
4. Compressor–Motor Assembly	24
4.1 Service Replacement Compressor	25
4.2 Terminal Mounting And Junction Box Group	25
4.3 Service Valve Group	25
4.4 Compressor–Motor Body Group	25
4.5 Pump End Group	26
4.6 Crankshaft, Rod And Piston Group	26
4.7 Valve Plate Group	27
4.8 Gasket Set	28



SERVICE PARTS LIST

INTRODUCTION

This parts list identifies service replacement parts for the Carrier Transicold Container Model listed in the Model Chart below.

ORDERING INSTRUCTIONS

All orders and inquiries for parts must include: Model, Unit Serial Number, Part Number, description of part as shown on list and quantity required. Address all correspondence for parts to the following address:

CARRIER TRANSICOLD DIVISION
Replacement Component Group
TR-20, P.O. Box 4805
Syracuse, New York 13221

LETTER DESIGNATIONS

The following letter designations are used to classify parts throughout this list:

A/R	As Required.	P--	Suffix P-- added to part number means part is available in packaged quantity only. Example: P/N34-00373-01P10 is a package of 10 P/N 34-00373-01. Use part number and P-- suffix when ordering.
NLO	No Longer Offered.		
NS	Not Shown in the illustration.		
NSA	Non-Stock Assembly – order components listed under the assembly.	PL	Purchase Locally.
NSI	Non-Stock Item – may be available on special order.	SST	Stainless Steel – 300 Series unless otherwise specified.
NSS	Not Sold Separately – order next higher assembly or kit.	SV	Suffix SV – added to part number designates service replacement part.

MODEL CHART

Models	Hinged Rear Panels	Two Speed Evap. Fan Motors	Water--Cooled Condenser	Power Trans--former	Humidistat	Dual Voltage Compress-
69NT20-234	X	X	–	C	X	–
69NT20-254-5	X	X	X	X	X	–
69NT20-254-6	–	–	A	–	–	X
69NT20-254-7	–	X	–	X	–	–
69NT20-254-8	X	X	–	X	–	–
69NT20-254-9	–	X	A	C	–	–
69NT20-254-10	–	–	–	–	–	X
69NT20-254-28	–	–	A	–	–	X
69NT20-254-56	–	–	A	–	–	X
69NT40-394	X	X	X	C	X	–
69NT40-394-1	X	X	A	X	X	–
69NT40-394-4	X	X	X	C	X	–
69NT40-394-5	–	–	A	–	–	X
69NT40-394-6	–	–	A	–	–	X
69NT40-394-7	–	–	A	C	–	–
69NT40-394-8	–	–	A	–	–	X
69NT40-394-9	X	X	–	C	X	–
69NT40-394-10	–	–	A	X	–	–
69NT40-394-11	–	–	A	C	–	–
69NT40-394-12	–	–	A	–	–	X
69NT40-394-13	–	–	A	X	–	–
69NT40-394-14	–	–	X	–	–	–
69NT40-394-15	X	–	A	–	–	X
69NT40-394-16	X	–	A	–	–	X
69NT40-394-18	–	–	A	–	–	X
69NT40-394-19	–	–	A	C	–	–
69NT40-394-20	–	–	–	–	–	X
69NT40-394-21	–	–	–	C	–	–

69NT40-394-22	-	-	-	C	-	-
69NT40-394-23	-	-	A	-	-	X
69NT40-394-38	-	-	A	-	-	X
69NT40-394-48	-	-	A	-	-	X
69NT40-394-68	-	-	A	-	-	X
69NT40-424-1	-	-	X	-	-	-

A – Provision for water-cooled condenser. If water-cooled condenser is added, refrigerant charge will change.

C – Provision for step-up power transformer.

X – Designates item provided.

PART NO.	DESCRIPTION
----------	-------------

1. QUICK LIST -- CLAMPS, FILTER--DRIER, FUSE, TY--RAPS, AND WIRE TERMINALS

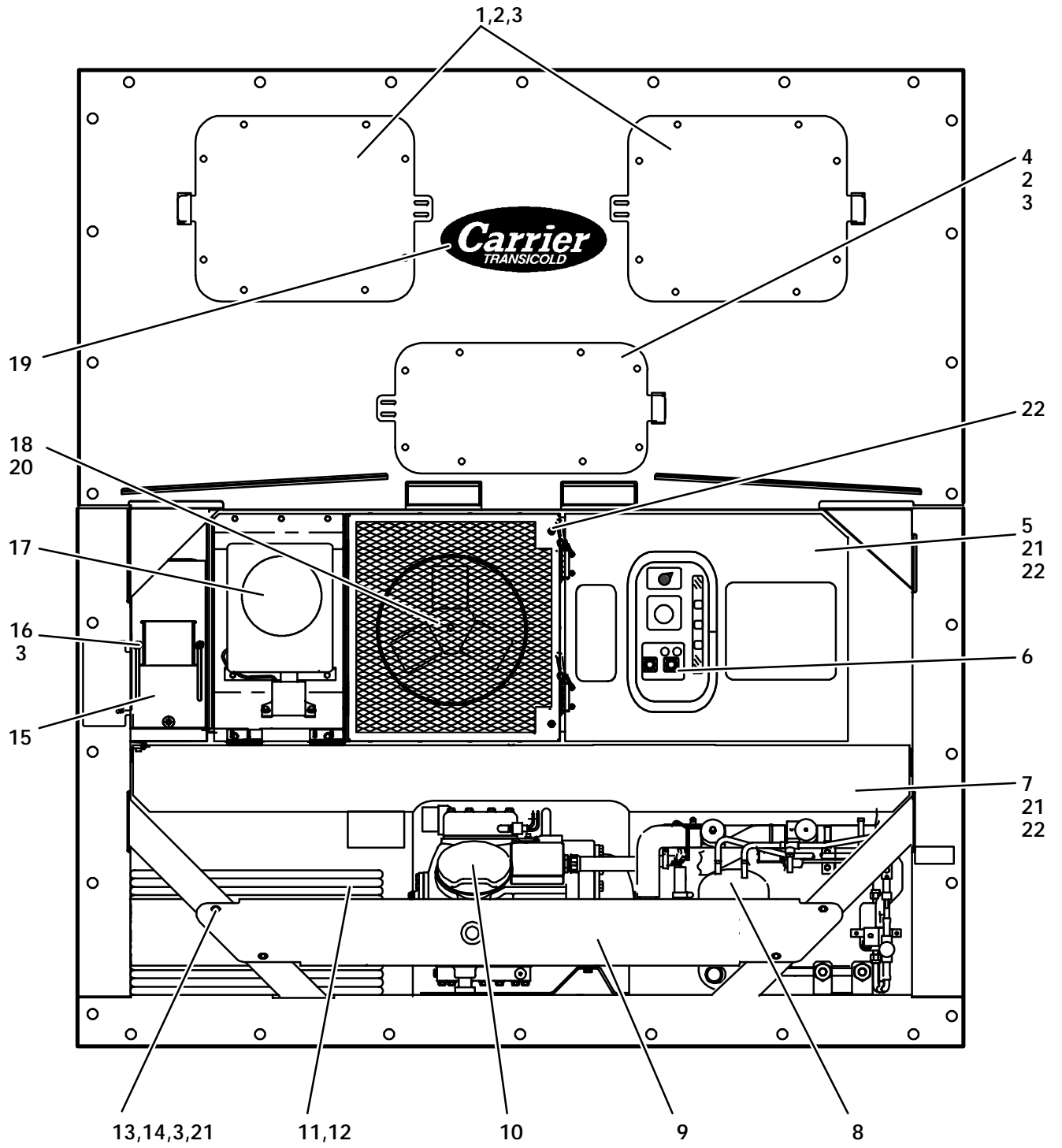
34-00373-51P10	Clamp, Tube, 1/4 CRES
34-00373-53P10	Clamp, Tube, 3/8 CRES
34-00373-05P10	Clamp, Tube, 1/2 CRES
34-00373-07P10	Clamp, Tube, 5/8 CRES
34-00373-59P10	Clamp, Tube, 3/4 CRES
34-00373-11P10	Clamp, Tube, 7/8 CRES
34-00373-65P10	Clamp, Tube, 1-1/8 CRES
34-00373-67P10	Clamp, Tube, 1-1/4 CRES
34-00373-69P10	Clamp, Tube, 1-3/8 CRES
34-00373-71P10	Clamp, Tube, 1-1/2 CRES
22-00066-01P25	Connector, Butt End, Wire Range - 22 to 16 Gauge
22-00066-02P25	Connector, Butt End, Wire Range - 16 to 14 Gauge
22-00066-03P25	Connector, Butt End, Wire Range - 12 to 10 Gauge
22-00041-00P25	Connector, Closed End, Wire Range - 22 to 14 Gauge
22-00041-02P25	Connector, Closed End, Wire Range - 18 to 10 Gauge
66U1-7472-1	Filter-Drier
HY10FJ006P05	Fuse, Glass - 6 amp
22-00060-20P05	Fuse, Glass - 3 amp
22-01140-01P25	Ring Terminal, #6, Wire Range - 12 to 10 Gauge
22-01140-02P25	Ring Terminal, #10, Wire Range - 12 to 10 Gauge
22-01140-04P25	Ring Terminal, 3/8, Wire Range - 12 to 10 Gauge
22-00119-04P25	Ring Terminal, 1/4, Wire Range - 12 to 10 Gauge
22-00120-04P25	Ring Terminal, #10, Wire Range - 16 to 14 Gauge
22-00120-07P25	Ring Terminal, 5/16, Wire Range - 16 to 14 Gauge
22-00121-07P25	Ring Terminal, #10, Wire Range - 22 to 16 Gauge
22-01139-04P25	Ring Terminal, 3/8, Wire Range - 16 to 14 Gauge
22-01141-01P25	Spade Terminal, .032 x .250, Wire Range - 16 to 14 Gauge
22-00595-01P25	Spade Terminal, 3/8, Wire Range - 12 to 10 Gauge
22-01106-00F25	Spiral Wrap, 1/4 in. Dia x 48" Long
44-01043-05P25	Ty-Raps, 5-1/2 Long
44-01043-07P25	Ty-Raps, 11 Long
22-50007 Series	Wire Markers

2. TOOLS

07-00013	Temperature Tester (Simpson Meter)
07-00013-01	Temperature Test Lead (15 Foot)
07-00013-02	Temperature Test Lead (50 Foot)
07-00013-03	Adapter, Males (Both Ends) (Use with Temperature Tester)
07-00015	Case, Carrying (For P/N 07-00013)
07-00219	Wrench, Compressor Sight Glass
07-00221	Inspection Light with Mirror
07-00226	Board, Temperature Controller Simulator Module (TCSM)
07-00228	Volt-Ohmmeter, Digital
07-00229	Amprobe Clamp (Used with 07-00228)
07-00237	Gauge Manifold Set

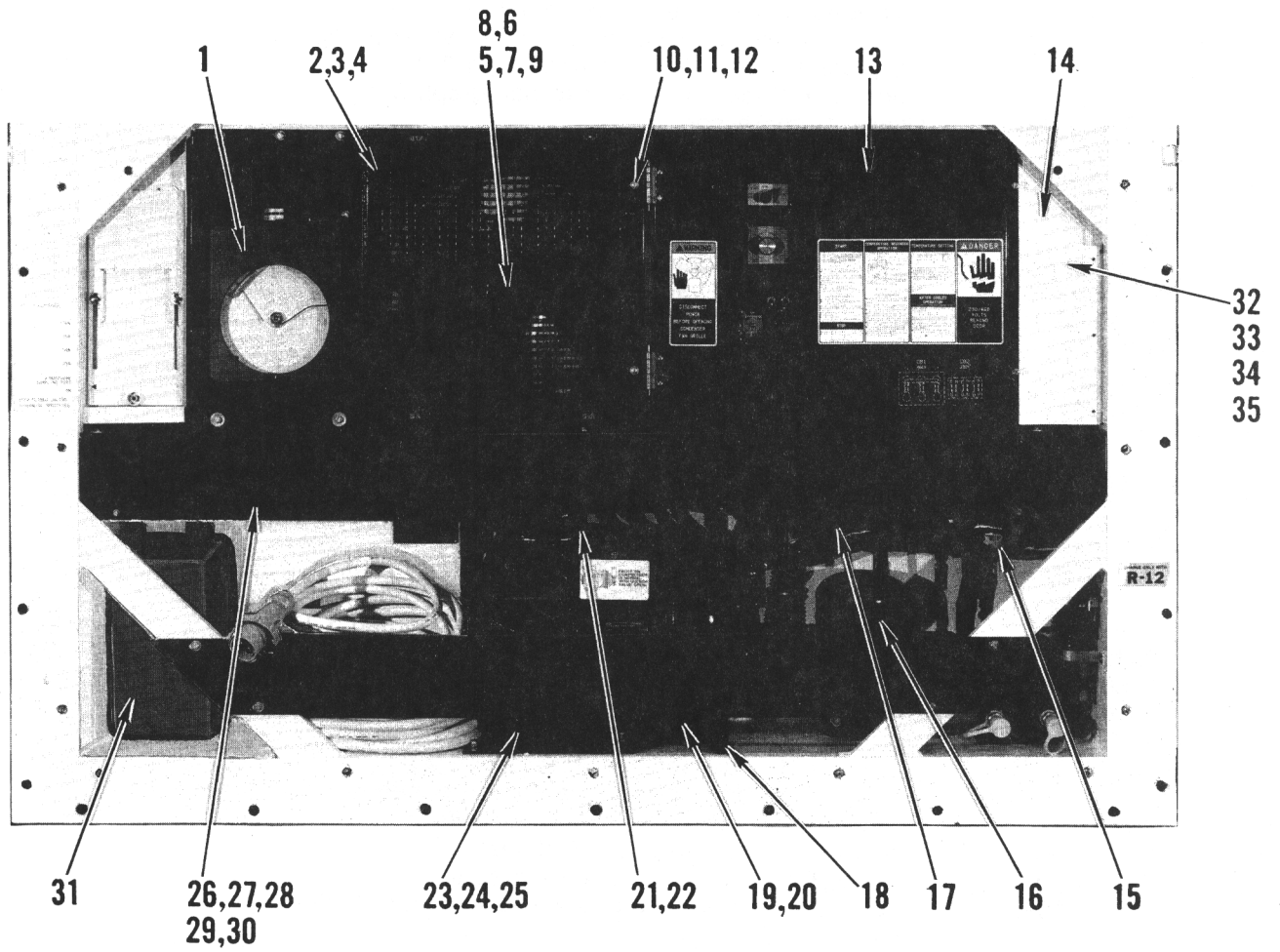
3. REFRIGERATION UNIT ASSEMBLY

3.1 REFRIGERATION UNIT -- FRONT



ITEM	PART NO.	DESCRIPTION	QTY
3.1 REFRIGERATION UNIT -- FRONT			
NS	66U1-8115-F20	Gasket, Access Panel Seal – Adhesive Back, Pressure Sensitive, 4 x 1/2 thick (20 ft, to be cut to size)	A/R
1	69NT40-908-1	Panel, Access – Includes:	2
NS	42-01082	Gasket	1
2	PL	Capscrew, Hex Head, 1/4-20 x 1 lg – CRES	A/R
3	PL	Washer, Flat, 1/4 – CRES	A/R
4	69NT40-898-1	Panel, Access – Includes:	1
NS	42-01081	Gasket	1
5	-	Box, Electrical – Refer to paragraph 3.7 & 3.8	-
6	-	Remote Monitor and Switches – Refer to paragraph 3.7	-
7	-	Coil, Condenser – Refer to paragraph 3.2	1
8	-	Condenser/Receiver – Refer to paragraph 3.3	1
9	69NT35-3104	Guard, Compressor	1
10	-	Compressor – Refer to paragraph 4	1
11	66U1-9782	Cable, Power (460 vac Extra Heavy Duty Yellow) (NSI)	1
11	66U1-5951	Cable, Power (460 vac Heavy Duty Black) (NSI)	1
11	66U1-6772	Cable, Power (230 vac) (NSI)	1
12	22-02414-00	Plug, Power (460 vac) -- (69NT20--254--5)	1
12	22-02378-00	Plug, Power (460 vac) -- MENNEKES	1
NS	22-02324-01	Bushing (for P/N 22-02414 & 22-02378-00) (NSI)	4
12	66U1-2443	Plug, Power (460 vac) -- (69NT40--394--12)	1
12	76-00390	Plug, Power (460 vac) -- Wilhelm Berg	1
12	22-02322	Plug, Power (230 vac) (NSI)	1
13	PL	Capscrew, 1/4-20 x 1-1/2 lg – CRES	4
14	PL	Locknut, 1/4-20 – CRES	3
15	69NT35-806-1	Cover, Makeup Air	1
15	69NT35-792-1	Cover, Makeup Air (69NT40--424--1)	1
16	66U1-5362-1	Nut, Wing 1/4-20 – CRES	2
17	-	Thermometer, Recording – Refer to paragraph 3.4 or 3.5	1
18	-	Condenser Fan Motor & Fan – Refer to paragraph 3.2	-
19	-	Decal, Carrier Transicold – Refer to paragraph 3.13	1
20	69NT35-6112	Protector, Condenser Fan Motor Mounting	2
21	58-50013-02	Washer, Mylar, 1/4 I.D. x 3/4 O.D.	A/R
22	58-50013-04	Washer, Mylar, 1/4 I.D. x 1.00 O.D.	A/R
NS	69NT35-6132	Protector, Compressor to Compressor Base	1
NS	69NT35-8703	Protector, Condenser Coil Assembly (Located between unit frame and condenser coil assembly)	2
NS	69NT40-912	Bracket Assembly, Gauge – Optional (NSI)	1
NS	12-01124-00	Gauge, Suction Pressure – Optional	1
NS	12-01125-00	Gauge, Discharge Pressure – Optional	1
NS	69NT20-1893	Label, Conversion (69NT20--254--5,--7/69NT40--394,--4)	1

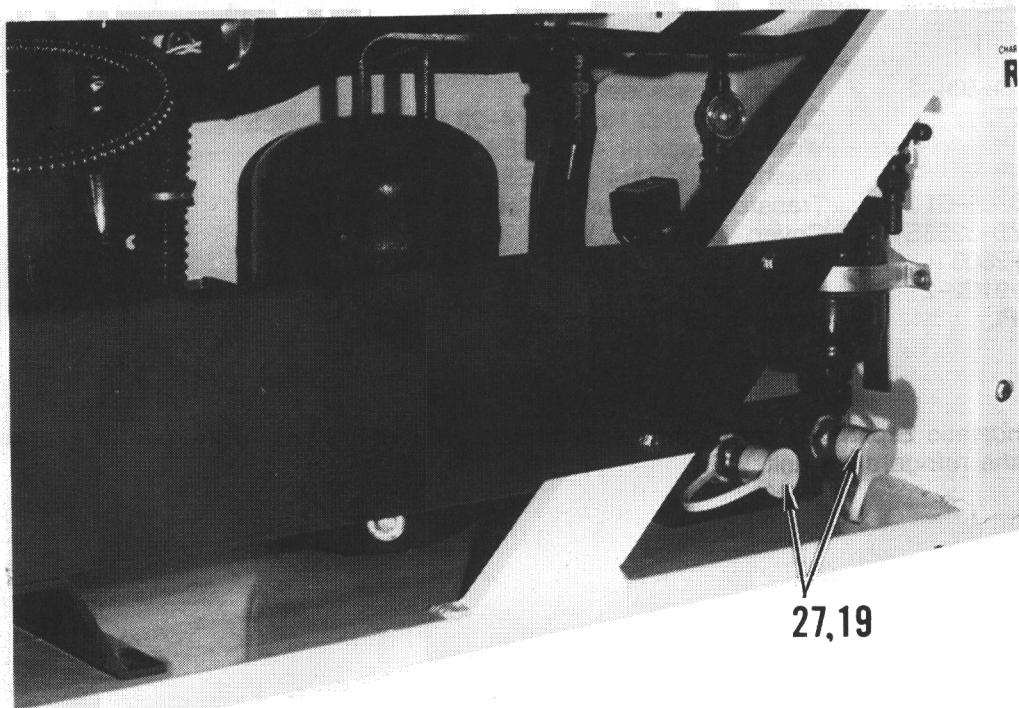
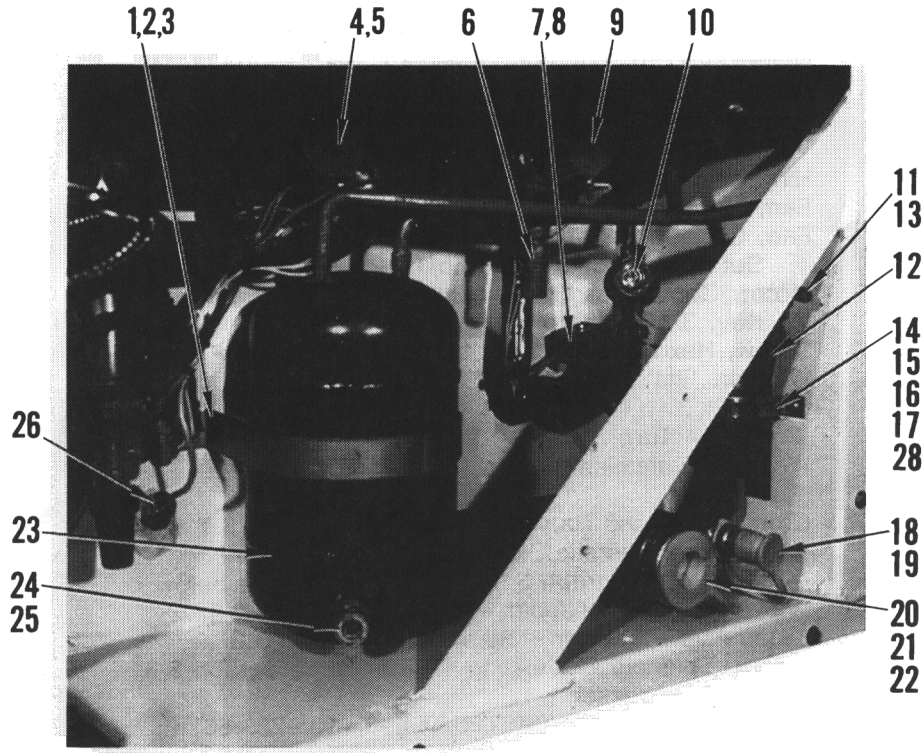
3.2 COMPRESSOR, CONDENSER, AND POWER TRANSFORMER



ITEM	PART NO.	DESCRIPTION	QTY
3.2 COMPRESSOR, CONDENSER, AND POWER TRANSFORMER			
1	–	Thermometer, Recording – Refer to paragraph 3.4 or 3.5	1
2	69NT35–5814	Grille (69NT20--234,254--7/69NT40--394,--1,--4/424--1)	1
2	69NT35–5824	Grille (Opens left to right) (All other Models)	1
3	69NT35–363–1	Venturi (69NT20--234,254--7/69NT40--394,--1,--4/424--1)	1
3	69NT40–523	Venturi (Opens left to right) (All other Models)	1
4	69NT35–1482	Hinge	2
5	38–00511–00	Fan, Condenser – Includes:	1
5	38–00142–00	Fan, Condenser – CRES – Includes:	1
NS	PL	Set Screw, Square Head, 5/16–24 x 5/8 lg – CRES	2
6	54–00132–00SV	Motor, Condenser Fan – Includes:	1
NS	34–00672	Key, 3/16 Square x 1–1/4 lg – CRES	1
7	PL	Screw, Hex Head/Washer, 5/16–18 x 1 – CRES	4
8	PL	Washer, Flat, 5/16 – CRES	8
9	PL	Locknut, 5/16–18 – CRES	4
10	34–01150–04	Stud (1/4 Turn)	2
11	34–01150–30	Washer, Retaining	2
12	34–01150–31	Receptacle	2
13	–	Control Box and Door – Refer to paragraphs 3.7 thru 3.9	1
14	–	Valve, Thermostatic Expansion – Refer to paragraph 3.11 and also see note below.	1
15	–	Valve, Suction Solenoid – Refer to paragraph 3.12	1
16	–	Condenser/Receiver – Refer to paragraph 3.3	1
17	–	Valve, Solenoid Modulating – Refer to paragraph 3.3	1
18	69NT20–374	Base, Compressor	1
18	69NT20–548	Base, Compressor (69NT20--254--6,--10,--28,--56)	1
19	PL	Washer, Lock, 3/8 – CRES	2
20	PL	Capscrew, Hex Head, 3/8–16 x 1–1/4 lg – CRES	2
21	66U1–6942–4	Switch, High Pressure	1
22	14–01093–00	Snubber Assembly	1
23	PL	Capscrew, 7/16–14 x 2–3/4 lg – CRES	4
24	PL	Washer, Flat, 7/16 – CRES	2
25	PL	Locknut, 7/16–14 – CRES	2
26	69NT40–674–4	Coil, Condenser (Copper Fins -- Epoxy Coated)	1
27	69NT40–408	Cover, Condenser Coil (69NT20--234, 254--7 69NT40--394,--1,--4)	1
27	69NT41–604–2	Cover, Condenser Coil	1
28	PL	Capscrew, Hex Head, 1/4–20 x 3/4 lg – CRES	11
29	PL	Washer, Lock, 1/4 – CRES	11
30	PL	Washer, Flat, 1/4 – CRES	11
31	76–00365–01	Transformer, Power – Optional	1
32	69NT35–3253SV	Cover, Expansion Valve	1
33	66U1–2803	Hinge (Cut to length)	1
34	66U1–9102–2	Rivet	3
35	PL	Screw, #10 Phillips	3

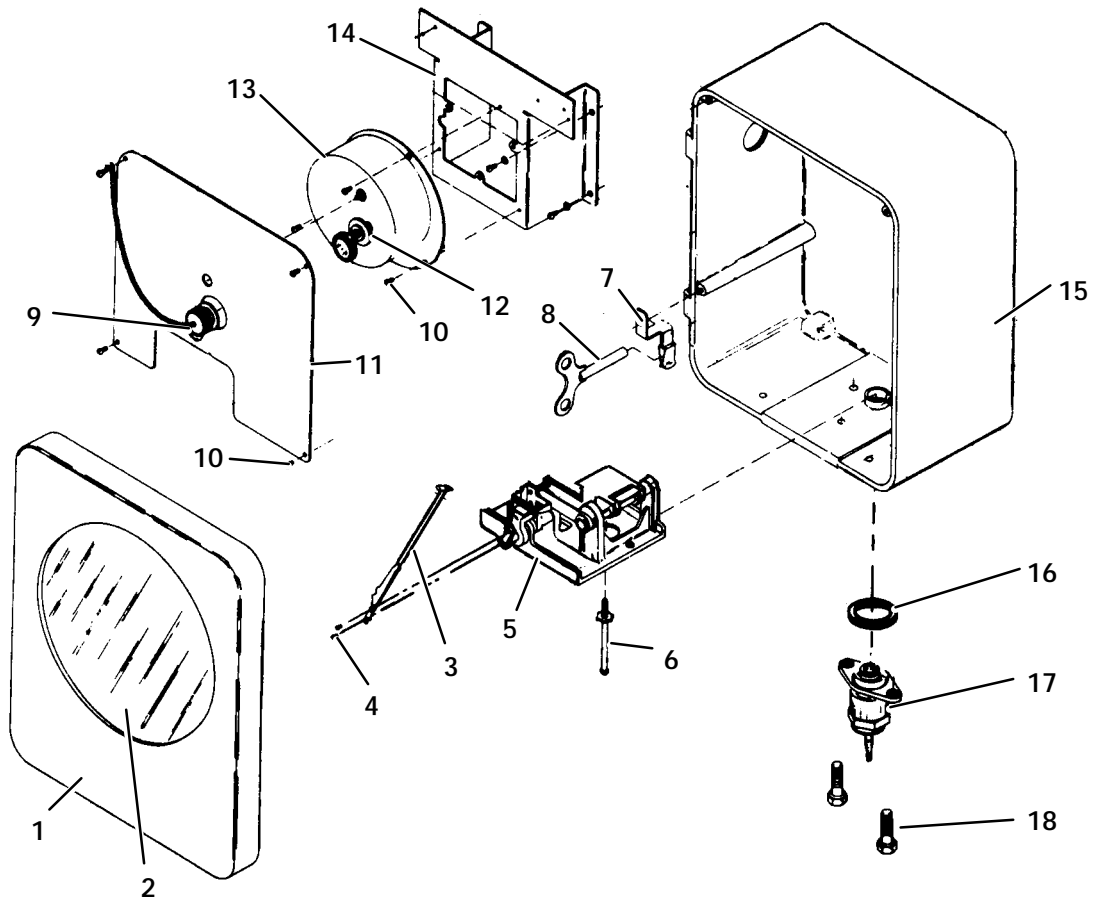
NOTE: Thermostatic Expansion Valves on some models are located behind the center access panel on the front of the refrigeration unit.

3.3 CONDENSER/RECEIVER, FILTER--DRIER, & MOISTURE--LIQUID INDICATOR



ITEM	PART NO.	DESCRIPTION	QTY
3.3 CONDENSER/RECEIVER, FILTER--DRIER, & MOISTURE--LIQUID INDICATOR			
1	44-01110-00	Strap (when Cond/Rec. is used)	1
2	PL	Capscrew, Hex Head, 1/4-20 x 3/4 lg - CRES	2
3	PL	Washer, Lock, 1/4 - CRES	2
4	14-01100-00	Valve, Modulating Solenoid - Includes:	1
5	66U1-8045	Coil	1
NS	16-00554-00	Kit, Modulating Solenoid Valve Repair - Includes:	1
NS	NSS	Enclosing Tube	1
NS	NSS	Top Nut	1
NS	NSS	Plunger	1
NS	NSS	O-Ring	1
6	66U1-3912-6	Valve, Pressure Relief	1
7	14-01090-01	Valve, Quench	1
8	14-01091-01	Coil	1
NS	34-50012-00	Screw, (Special), Coil Hold Down	1
9	-	Valve, Suction Solenoid - Refer to paragraph 3.12	1
10	14-00026-03	Indicator, Moisture - Liquid (Steel)	1
10	14-01092-01	Indicator, Moisture - Liquid (Brass)	1
11	66U1-8552	Valve, Liquid Line - Includes:	1
12	17-21002-01	Cap, Valve	1
13	40-00086-04	Cap, Flare - 1/4	1
14	66U1-7472-1	Filter-Drier	1
15	69NP20-1031	Clamp, Includes:	1
NS	58-50014-00F16	Gasket, Clamp (16 FT, cut to length)	A/R
16	PL	Screw, Wood, #10 x 1-1/4 lg	2
17	PL	Washer, Flat, #10 - CRES	2
18	66U1-2763-5	Coupling (Water In)	1
19	66U2-1142	Cap, Dust	A/R
20	40-01129	Coupling, Self Draining - Includes:	1
21	42-50000	O-Ring Seal	1
22	66U2-1152	Cap, Dust	1
23	69NT41-988-2	Condenser/Receiver (Factory Brazed) - Optional - Includes:	1
23	69NT41-988-1	Condenser/Receiver (Field Swage Fittings) - Optional - Includes:	1
23	69NT41-988	Condenser/Receiver (Factory Brazed) - Optional - Includes: (69NT20--254--5, 69NT40--424--1)	1
24	14-00111	Sight Glass - Includes:	1
25	NSS	Ball, Float	1
26	12-01072-01SV	Probe (STS)	1
27	40-01101-02	Coupling	2
28	58-50013-04	Washer, Mylar, 1/4 I.D. x 1.00 O.D.	2
NS	12-01071-01SV	Switch, Water Pressure - Optional	1
NS	65-01054-00	Receiver Assembly (69NT20--254--7)	1
NS	44-01110-02	Strap (Used with Receiver Assy) (69NT20--254--7)	1
NS	58-00956-00	Protector, Condenser/Receiver Strap	2
NS	58-00957-00	Protector, Condenser/Receiver Bracket (Used on 69NT41--988, --1)	1
NS	58-00957-01	Protector, Condenser/Receiver Bracket (Used on 69NT41--988--2)	1

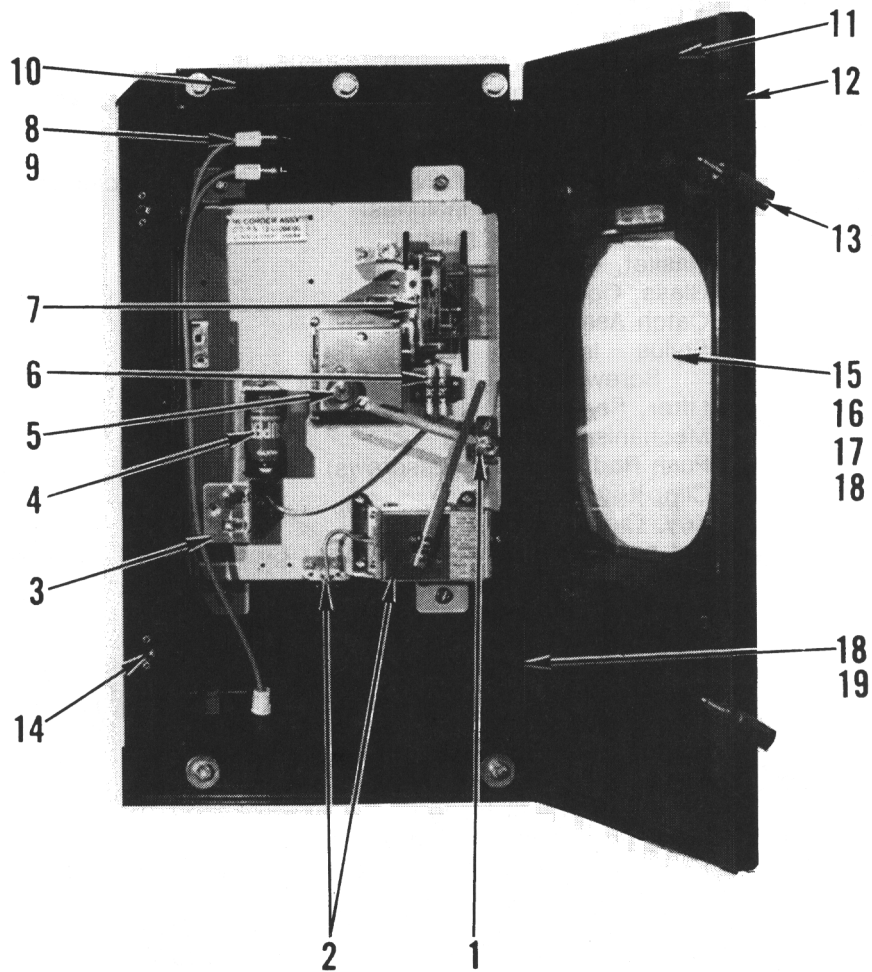
3.4 RECORDING THERMOMETER (PARTLOW)



ITEM	PART NO.	DESCRIPTION	QTY	
3.4 RECORDING THERMOMETER (PARTLOW)				
-	12-01076-00	Recording Thermometer (NSI) – Includes:	1	
-	12-01076-01	Recording Thermometer (NSI)(69NT20--234/69NT40--424--1) – Includes:		
1	-	12-01076-02	Recording Thermometer (NSI) (69NT20--254--5 69NT40--394,--1,--4,--9) – Includes:	1
-	12-01076-04	Recording Thermometer (NSI) (69NT20--254--7) – Includes:	1	
1	09-00265-00	Cover Assembly – Includes:	1	
NS	09-00100-01	Seal, Cover – Rubber	1	
NS	09-00100-02	Gasket, Cover Glass	1	
2	09-00101	Glass, Cover	1	
NS	09-00102	Catch Assembly, Cover	2	
3	09-00104	Stylus – Includes:	1	
4	NSS	Screw, Round Head, #2-56 x 3/16 lg	2	
NS	09-00105	Lifter, Stylus (Includes Spring and Bracket)	1	
5	09-00147	Mechanism Assembly	1	
6	09-00112	Push Rod (Includes Setscrews)	1	
7	09-00115	Clip, Key Mounting	1	
8	09-00114	Key, Clock Winding	1	
9	09-00119	Nut and Chain, Chart (Sonceboz Clock)	1	
9	09-00180-00	Nut and Chain, Chart (Gluck Clock)	1	
10	PL	Screw, Round Head #6-32 x 5/16	7	
11	09-00116	Platen, Chart	1	
12	09-00118	Flange, Chart Drive (Sonceboz)	1	
12	09-00180-01	Flange, Chart Drive (Gluck)	1	
13	09-00123	Clock, 31 Day	1	
14	09-00132	Stand, Mounting, Chart Drive (NSI)	1	
15	09-00267-00	Case	1	
16	09-00137	O-Ring, Element Flange	4	
17	09-00209	Element, 9 ft lg – Includes:	1	
NS	09-00222	Lead, Thermistor (Accessory 344 and Jack) – 15 ft lg	1	
18	09-00136	Screw, Flange (NSI)	2	
NS	09-00128	Charts _F – 31 Day (Box of 50) (-20_F to +80_F)	A/R	
NS	09-00128-01	Charts _C – 31 Day (Box of 50) (-25_C to +25_C)	A/R	

ITEM	PART NO.	DESCRIPTION	QTY
------	----------	-------------	-----

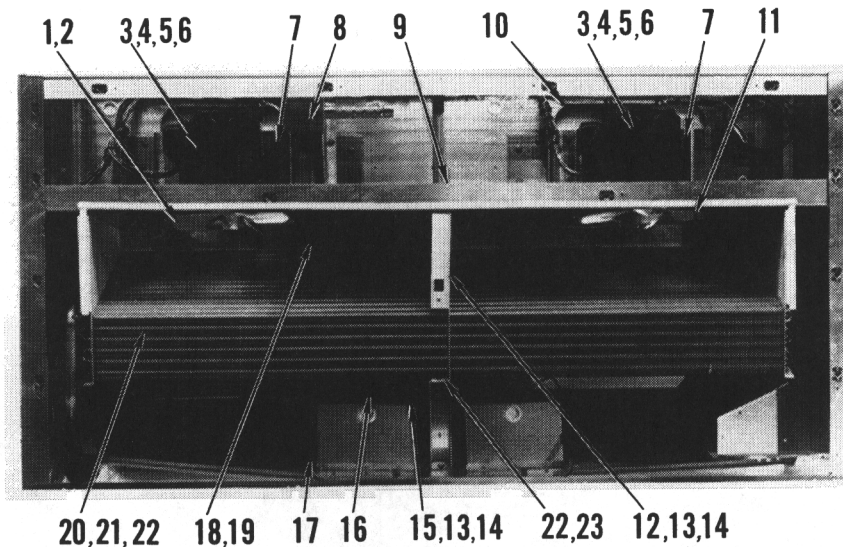
3.5 RECORDING THERMOMETER (SAGINOMIYA)



-	12-01094-00	Recording Thermometer - Includes:	1
1	09-00324-00	Stylus, Left Arm	1
2	09-00320-00	Element Assembly (9 ft.) (2.74 M)	1
3	09-00321-00	Voltage Indicator	1
4	PL	Battery (Mallory R14P/S 1.5 vdc)	1
5	09-00326-00	Shaft, Chart	1
6	09-00329-00	Block, Terminal (NSI)	1
7	09-00322-00	Timer (31 Day)	1
NS	09-00323-00	Plate, Recorder	1
NS	09-00325-00	Nut, Chart	1
8	69NT40-402-1	Sensor Assembly, Return Temperature (RTS) - Includes:	1
NS	-	Sensor, Thermistor (Refer to paragraph 3.6)	-
9	22-02370-00	Jack, Phono	2
10	69NT41-754	Box Assembly (NSI)	1
11	42-01098-00	Gasket, Door	1
12	69NT41-844	Door Assembly	1
13	66U1-6811-10	Retaining Screw	2
NS	34-01226-00	Washer, Retaining	2
14	34-01142-01	Receptacle	2
15	PL	Window, Lexan (8.37 x 10 x .12 inches thick)(212 x 254 x 3 mm)	1
16	PL	Gasket, Window	1
17	69NT35-5412	Angle, Window Mounting	2
18	69NT35-5492	Plate, Window Mounting	2
19	69NT40-392	Hinge Assembly	2
NS	09-00128-01	Charts _C - 31 Day (Box of 50) (-25_C to +25_C)	A/R
NS	09-00128	Charts _F - 31 Day (Box of 50) (-20_F to +80_F)	A/R

ITEM	PART NO.	DESCRIPTION	QTY
------	----------	-------------	-----

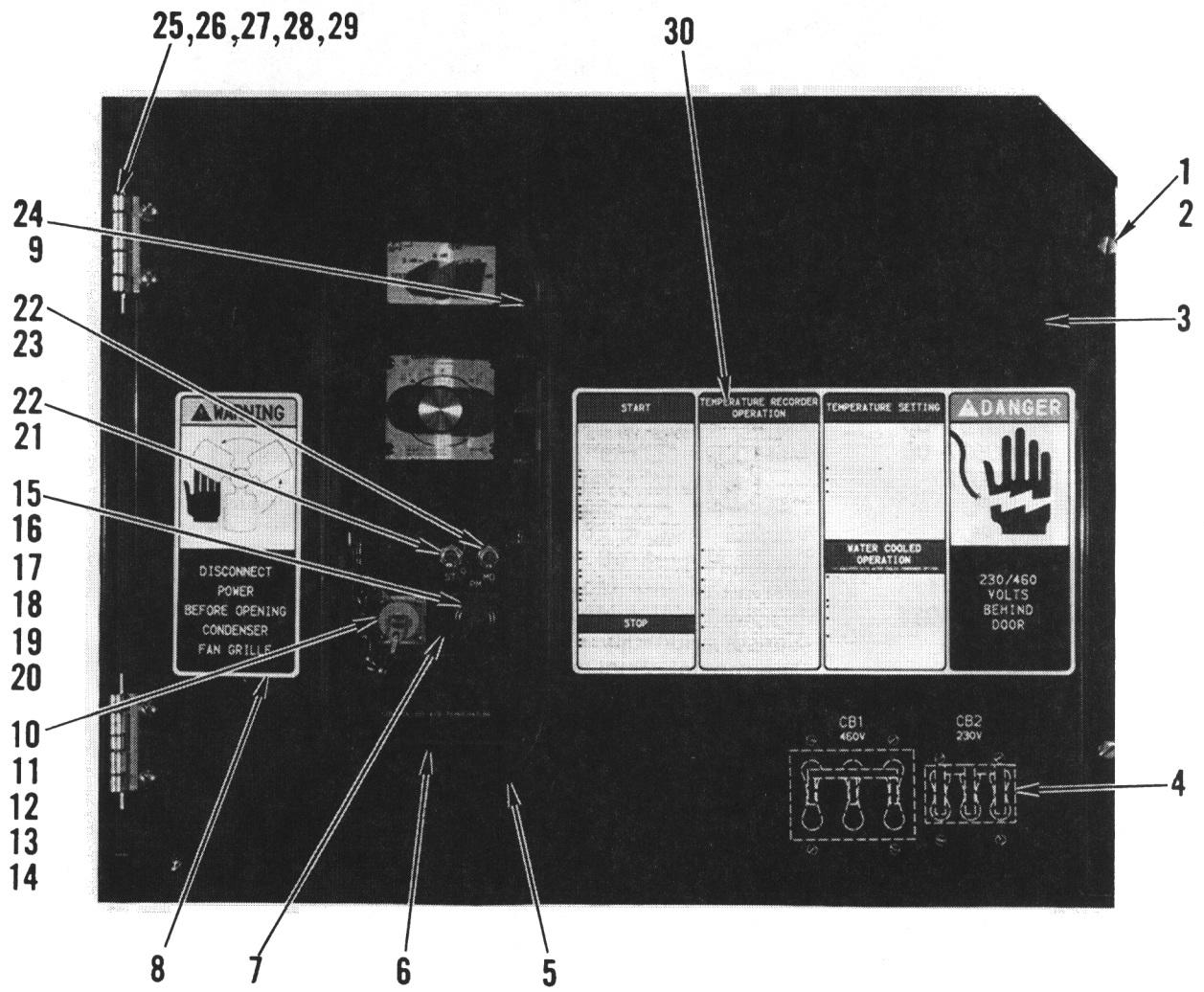
3.6 EVAPORATOR SECTION -- REAR PANELS REMOVED



1	38-00126	Fan, Evaporator (69NT40) – Includes:	1
1	38-00121	Fan, Evaporator (69NT20) – Includes:	1
2	PL	Setscrews, 5/16-24 x 5/8 lg – CRES	2
3	54-00131-00	Motor, Evaporator Fan (Two--Speed) – Includes:	2
3	54-00507-00	Motor, Evaporator Fan (One--Speed) – Includes:	2
NS	34-00672	Key, 3/16 x 3/16 x 1-1/4 lg – CRES	2
4	PL	Capscrew, Hex Head, 5/16-18 x 1-1/2 lg – CRES	4
5	PL	Washer, Flat, 5/16 – CRES	8
6	PL	Locknut, 5/16-18 – CRES	4
7	69NT35-1173	Bracket, Motor Mount (69NT40)	2
7	69NT20-1033	Bracket, Motor Mount (69NT20)	2
8	12-01066	Sensor, Humidity – Optional	1
9	12-01063	Thermostat, Suction Solenoid (69NT40)	1
10	12-01072-01SV	Sensor, Thermistor (RTS) – Partlow	1
NS	22-02243	Pin (Use with Partlow Thermistor Assembly)	3
10	12-01095-00	Sensor, Thermistor (RTS) – Saginomiya	1
11	38-00125	Fan, Evaporator (69NT40) – Includes:	1
11	38-00122	Fan, Evaporator (69NT20) – Includes:	1
2	PL	Setscrews, 5/16-24 x 5/8 lg – CRES	2
12	66U1-6912-8	Thermostat, Defrost, 75_F (24_C)	1
13	PL	Capscrew, Hex Head, #8-32 x 1/2 lg – CRES	4
14	PL	Washer, Lock, #8 – CRES	4
15	66U1-6912-7	Thermostat, High Temperature, 130_F (54_C)	1
16	66U1-2683-4	Heater	4
17	24-00003	Heater, Drain Pan	1
17	24-00006-00	Heater (69NT40--394--14)	6
18	PL	Screw, Lag, 1/4 x 2 lg	6
19	PL	Washer, Flat, 1/4	6
20	69NT40-654-1*	Coil, Evaporator (69NT40)	1
20	69NT41-318-1*	Coil, Evaporator (69NT40--394--14)	1
NS	69NT35-5572	Retainer (69NT40--394--14)	1
20	69NT42-194-1*	Coil, Evaporator (69NT40--394--68)	1
20	69NT20-954-1*	Coil, Evaporator (69NT20)	1
20	69NT20-898-1*	Coil, Evaporator (69NT20--254--56)	1
NS	69NT20-2032	Retainer (69NT20--254--56)	1
21	PL	Capscrew, Hex Head, 1/4 – 20 x 3/4 lg – CRES	9
22	PL	Washer, Lock, 1/4 – CRES	9
23	PL	Capscrew, Hex Head, 1/4 – 20 x 1/2 lg – CRES	1

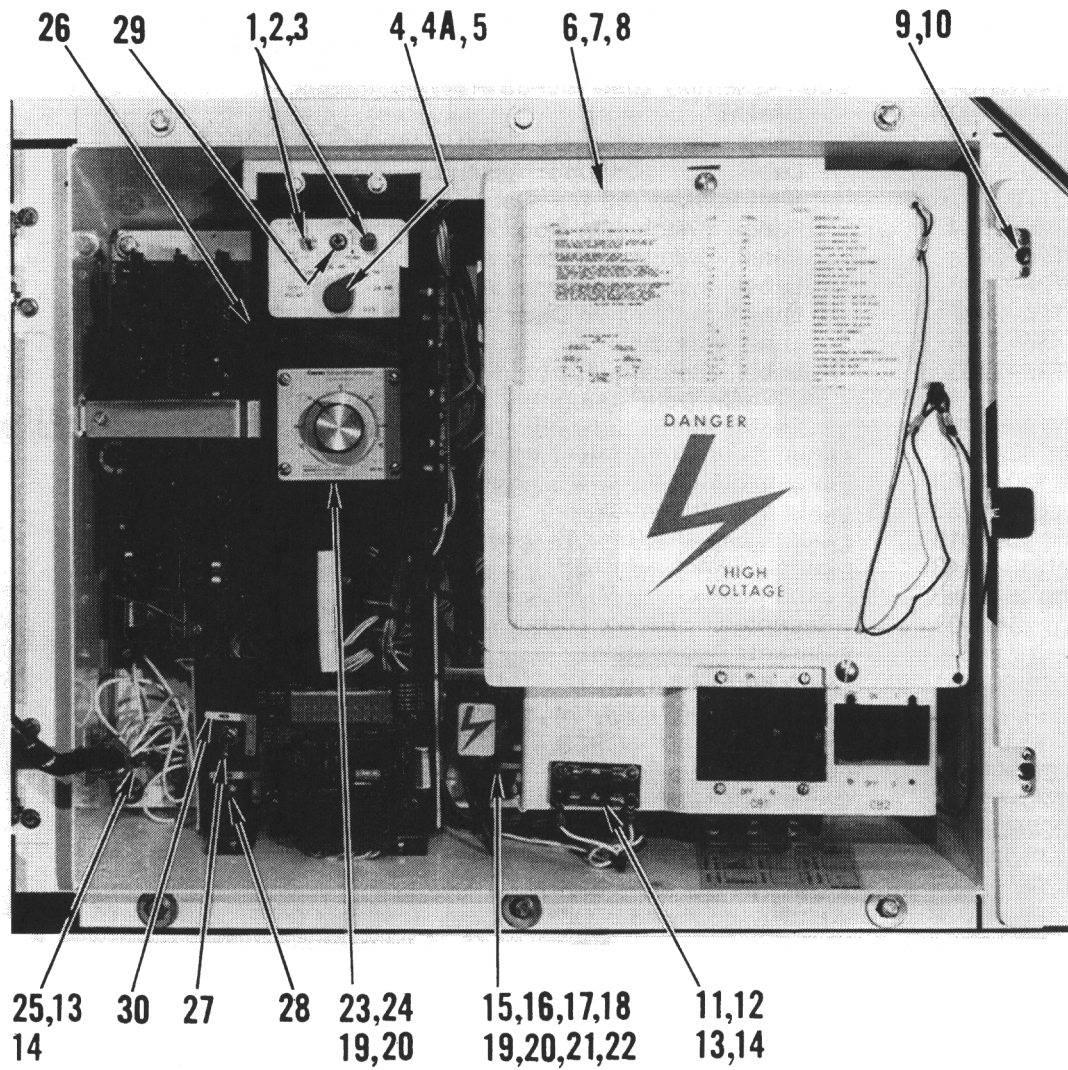
* Note: Does not include thermostats or heaters.

3.7 CONTROL BOX DOOR, SWITCHES AND STATUS INDICATOR



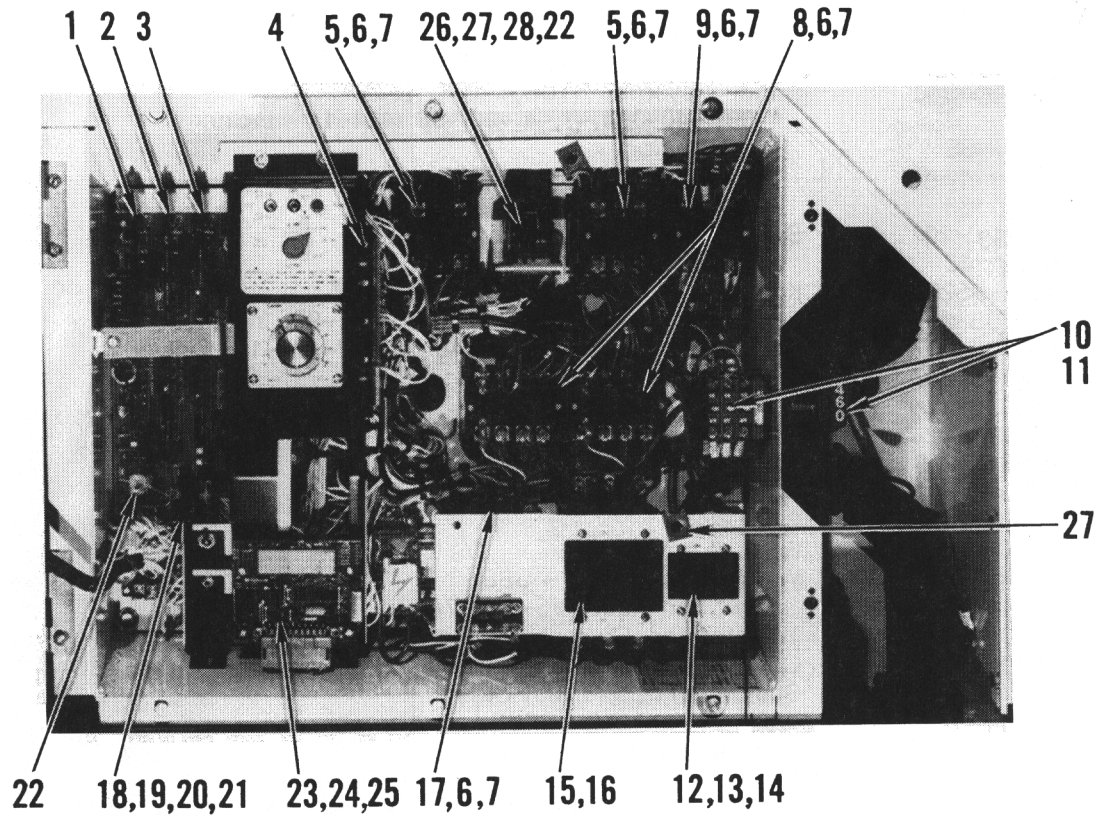
ITEM	PART NO.	DESCRIPTION	QTY
3.7 CONTROL BOX DOOR, SWITCHES AND STATUS INDICATOR			
1	66U1-6811-10	Screw, Retaining	2
2	34-01226-00	Washer, Retaining	2
3	69NT40-818-1	Door Assembly (69NT40--394--15,--16 /--424--1) – Includes:	1
3	69NT40-818-12	Door Assembly (69NT40--394--19) – Includes:	1
3	69NT40-818-21	Door Assembly– Includes:	1
NS	42-01083-00	Gasket	1
5	58-01180-01F50	Seal Rubber (50 ft – Cut to length)	A/R
6	69NT35-4574	Panel, Switch (On Door Assembly 69NT40--818--21)	1
6	69NT35-4574-1	Panel, Switch (On Door Assembly 69NT40--818--12)	1
3	69NT40-818-16	Door Assembly (69NT20--234, 69NT40--394 & 394--1) – Includes:	1
3	69NT40-818-27	Door Assembly (69NT40--394--14) – Includes:	1
NS	42-01083-00	Gasket	1
4	69NT35-3413	Label, CB1, CB2 (On Door Assembly 69NT40--818--16)	1
4	69NT20-1162	Label, CB1 (On Door Assembly 69NT40--818--27)	1
5	58-01180-01F50	Seal Rubber (50 ft – Cut to length)	A/R
6	69NT20-2234	Panel, Switch (On Door Assembly 69NT40--818--16)	1
6	69NT20-2654	Panel, Switch (On Door Assembly 69NT40--818--27)	1
7	69NT20-2193	Label, Switch (On Door Assembly 69NT40--818--16)	1
7	69NT20-2433	Label, Switch (On Door Assembly 69NT40--818--27)	1
8	69NT35-3164	Label,Warning	1
9	69NT35-3903	Label, Status Indicator (NSI) (On Door Assembly 69NT40--818--16)	1
9	69NT20-2423	Label, Status Indicator (NSI)(On Door Assembly 69NT40--818--27)	1
9	69NT35-6243	Label, Status Indicator (69NT20--254--8)	1
9	69NT20-1863	Label, Status Indicator (69NT20--254--7)	1
9	69NT35-4733	Label, Status Indicator	1
7	69NT35-4013	Label, Switch, (RM, MD, ST)	1
7	69NT35-4443	Label, Switch, (MD, ST) (69NT40--394--19)	1
7	69NT35-8583	Label, Switch, (RM, MD, ST) (69NT20--254--8)	1
10	22-02341-00	Receptacle, Remote Monitoring (Plastic) – Optional	1
11	66U1-6835	Gasket, Receptacle	1
12	22-02341-01	Cap and Chain (RM)	1
13	PL	Screw, Round Head, #4-40 x 3/4 lg – CRES	4
14	PL	Locknut, #4-40 – CRES	4
15	22-02200-03	Cap and Chain (PM)	1
16	69NT20-522	Connector (PM) (NSI) – Includes:	1
NS	22-02200-01	Connector	1
17	PL	Screw, #6-40 x 1/2 lg – CRES	4
18	PL	Washer, Flat, #6 – CRES	4
19	PL	Washer, Lock, #6 – CRES	4
20	PL	Locknut, #6-4 – CRES	4
21	10-00237	Switch, Toggle (On-Off)	1
22	66U1-9752	Seal, Bushing	2
NS	69NT35-4192	Adapter Strip	1
23	10-00221	Switch, Toggle (MDS)	1
24	12-01078-03	Indicator, Status	1
24	12-01078-00	Indicator, Status (69NT20--254--7)	1
24	12-01078-06	Indicator, Status (69NT40--394--14)	1
25	44-01116-00	Hinge	2
26	PL	Screw, Machine, #10-24 x 1/2 lg – CRES	4
27	PL	Washer, Lock, #10 – CRES	4
28	PL	Washer, Flat, #10 – CRES	4
29	34-01167-01	Nut, Double	2
30	-	Label, Operating Instruction – Refer to paragraph 3.13	1

3.8 CONTROL BOX

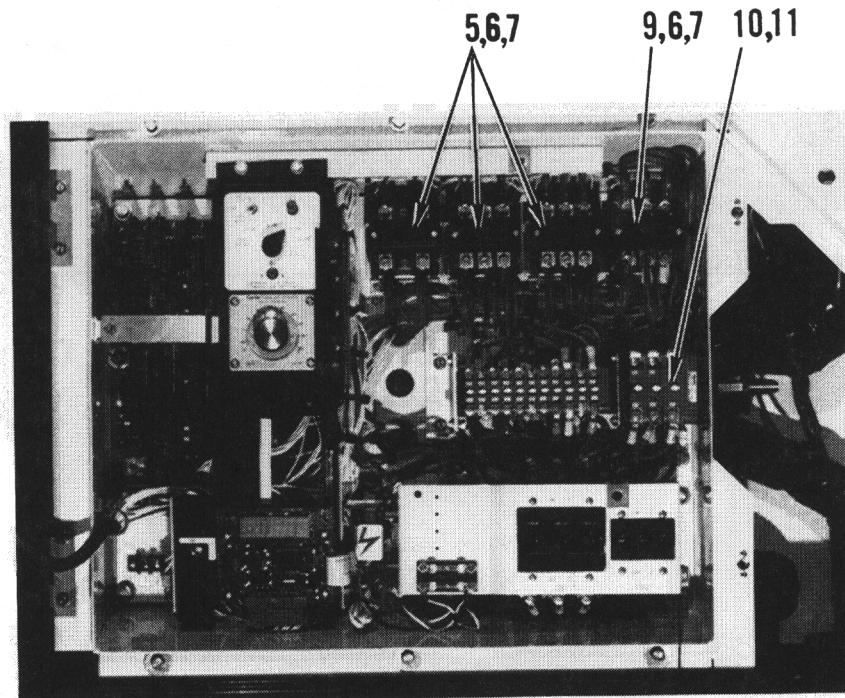


ITEM	PART NO.	DESCRIPTION	QTY
3.8 CONTROL BOX			
1	69NT40-427	Switch Assembly (TDS & TSS) – Includes:	2
1	69NT35-963	Switch Assembly (TDS & TSS) (69NT20--234 69NT40--394,--1,--4,--20,--38 /424--1) – Includes:	2
NS	NSS	Connector	1
2	10-01142-03	Switch, Push Button (TDS)	1
3	10-01133	Switch, Toggle (TSS)	1
4	69NU30-227	Switch, Rotary – Includes:	1
4A	10-01132	Switch, Rotary	1
5	66U1-9522	Knob	1
6	69NT35-297-2	Shield, High Voltage (69NT20--254--8,--9) – Includes:	1
6	69NT35-297	Shield, High Voltage (69NT40--394--4/--424--1) – Includes:	1
6	69NT35-297-3	Shield, High Voltage – Includes:	1
7	66U1-3442-2	Stud, 1/4 Turn	2
8	66U1-9212-1	Retainer	2
9	34-01142-01	Receptacle	2
10	PL	Rivet, Blind, .125 dia x 0.125 – 0.32 Grip Range – CRES	4
11	22-01324-02	Fuse Block	1
12	HY10FJ006	Fuse, 6 amp	2
13	PL	Washer, Lock , #6 – CRES	2
14	PL	Screw, Pan Head, #6-32 x 7/16 lg – CRES	2
15	10-01161-01	Transformer, Current Limiting (CLT) – Optional	1
16	58-00950-00	Cover, Plastic – Transformer Mounting (NSI) (For use with CLT)	1
17	66U1-9272	Standoff (For use with CLT)	4
18	PL	Washer, Flat, #8 – CRES	4
19	PL	Washer, Lock, #8 – CRES	8
20	PL	Screw, Pan Head, #8-32 x 1/2 lg – CRES	8
21	PL	Capscrew, Hex Head, 1/4-20 x 3/4 lg – CRES	2
22	PL	Nut, Hex, 1/4-20 – CRES	1
23	22-02249	Temperature Selector (_F/_C)	1
23	22-02249-01	Temperature Selector (_C)	1
24	PL	Nut, Hex, #8-32 – CRES	4
25	22-02352-00	Block, Terminal	1
26	22-00060-20	Fuse, 3 amp	1
27	10-00237	Switch, Toggle (HCS) – Optional	1
NS	69NT40-417-3	Switch Assembly (For use with digital display) – Optional – Includes:	1
28	10-01133-02	Switch, Scale Selector (SSS)	1
29	10-01146-03	Switch, Set Temperature Display (SDS)	1
NS	22-02306-01	Plug	1
NS	22-02305-00	Contact, Socket	1
30	69NT20-1912	Label (HCS) – Optional (NSI)	1

3.9 CONTROL BOX -- HIGH VOLTAGE SHIELD REMOVED



UNITS WITH TWO-SPEED EVAPORATOR MOTORS

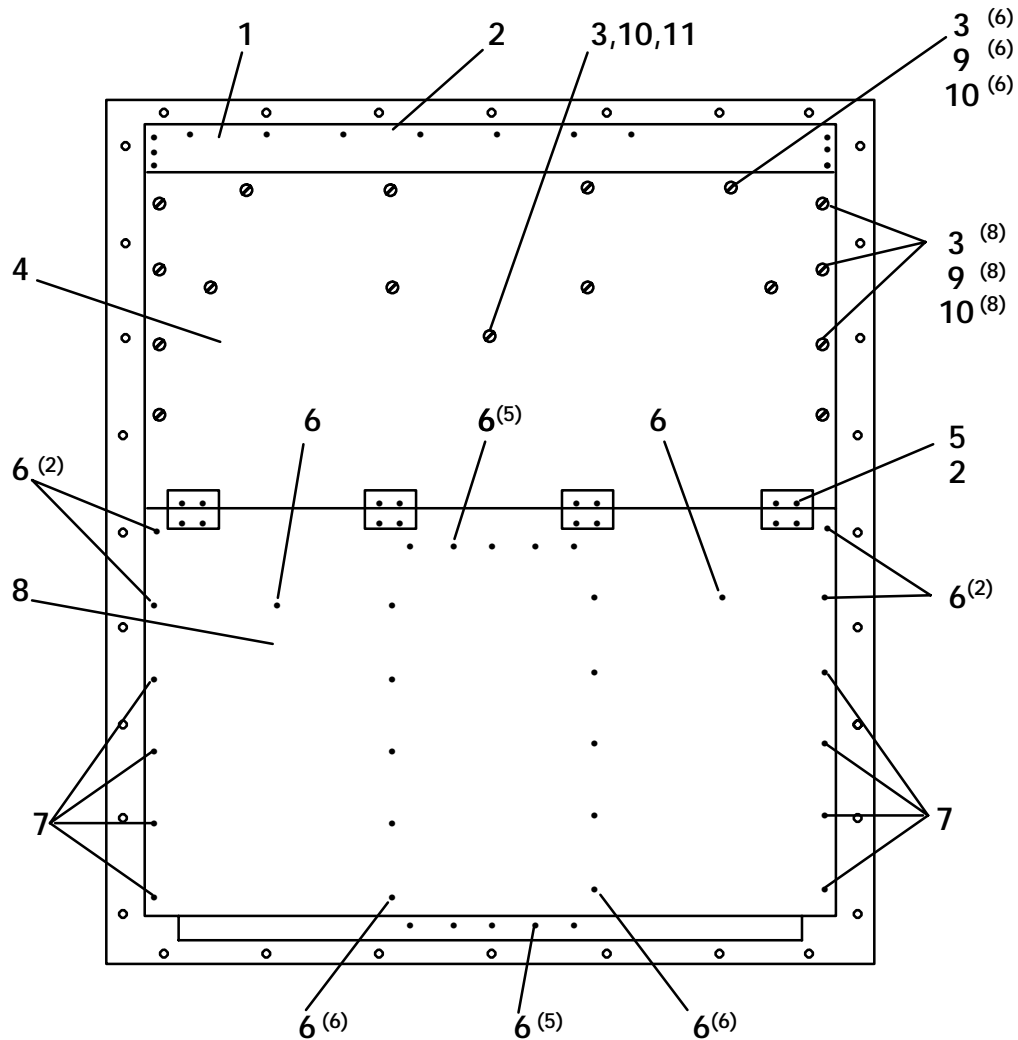


UNITS WITH ONE-SPEED EVAPORATOR MOTORS

ITEM	PART NO.	DESCRIPTION	QTY
3.9 CONTROL BOX -- HIGH VOLTAGE SHIELD REMOVED			
1	12-01059-10	Board, Power Supply and IRS	1
1	12-01059-30	Board, Power Supply and IRS -- Remanufactured	1
2	12-01058-10	Board, Timing and Current Control	1
2	12-01058-30	Board, Timing and Current Control -- Remanufactured	1
3	12-01085-00	Board, Temperature Control	1
3	12-01085-20	Board, Temperature Control -- Remanufactured	1
4	-	Indicator, Status - Refer to paragraph 3.7	1
5	66U1-9251	Relay, Condenser Fan Motor and Heater	A/R
6	PL	Screw, Hex Head, #10-24 x 1/2 lg - CRES	16
7	PL	Washer, Lock, #10 - CRES	16
8	66U1-6311	Relay, Evaporator Fan Motor	2
9	10-01147-33	Contact, Compressor	1
10	10-01149-01	Voltage Switch (3 Station)	1
10	10-01148-01	Voltage Switch (14 Station)	1
11	10-01149-04	Knob (for 3 Station)	1
11	10-01148-04	Knob (for 14 Station)	1
12	66U1-4522-2	Circuit Breaker - 230 vac	1
13	PL	Screw, Pan Head, #6-32 x 5/16 lg - CRES	4
14	PL	Washer, Lock, #6 - CRES	4
15	66U1-1723-3	Circuit Breaker -- 460 vac (69NT40)	1
15	66U1-1723-2	Circuit Breaker - 460 vac (69NT20)	1
16	PL	Screw, Pan Head, #6-32 x 7/16 lg - CRES	4
NS	PL	Screw, Binding Head, 1/4-20 x 5/16 lg - Brass (For Terminals)	6
17	66U1-2353	Transformer, Control	1
18	22-02269-11	Board, Main Printed Circuit	1
18	22-02269-31	Board, Main Printed Circuit -- Remanufactured	1
19	PL	Screw, Hex Head - Slotted, #8-32 x 3/8 lg - CRES	14
20	PL	Washer, Lock #8 - CRES	7
21	66U1-9592-3	Standoff	6
22	10-00220	Relay	A/R
23	12-01073-00SV	Display, Digital Temperature - Optional	1
23	12-01073-20	Display, Digital Temperature -- Remanufactured	1
NS	69NT20-213	Plug, Harness (For Digital Display) - Includes:	1
NS	22-02306-00	Plug (6 position)	1
24	58-01181-02	Standoff (For use with digital display)	4
25	58-01181-03	Standoff (For use with digital display)	4
26	12-00238-03	Timer (69NT20--254--5/69NT40--394--9)	1
27	22-01170-01	Receptacle, Relay (69NT20--254--5/69NT40--394--9)	1
28	73-00130-00	Clip, Relay	1
29	66U1-9222	Receptacle	A/R
NS	12-01087-00	Time Delay (3 Second) - Optional	1
NS	10-00237	Switch, Control Limiting - Optional	1
NS	07-50001	Humiseal, 12 oz.	A/R
NS	07-50003-01	Lubricant, Contact	A/R
NS	66U1-3823	Meter, Hour (69NT20--254--7,--8,--10/69NT40--394--14,--20/424--1)	1
NS	69NT35-936	Cover Assembly, P.C. Board (69NT40--424--1)	1

ITEM	PART NO.	DESCRIPTION	QTY
------	----------	-------------	-----

3.10 EVAPORATOR SECTION -- REAR PANELS ATTACHED

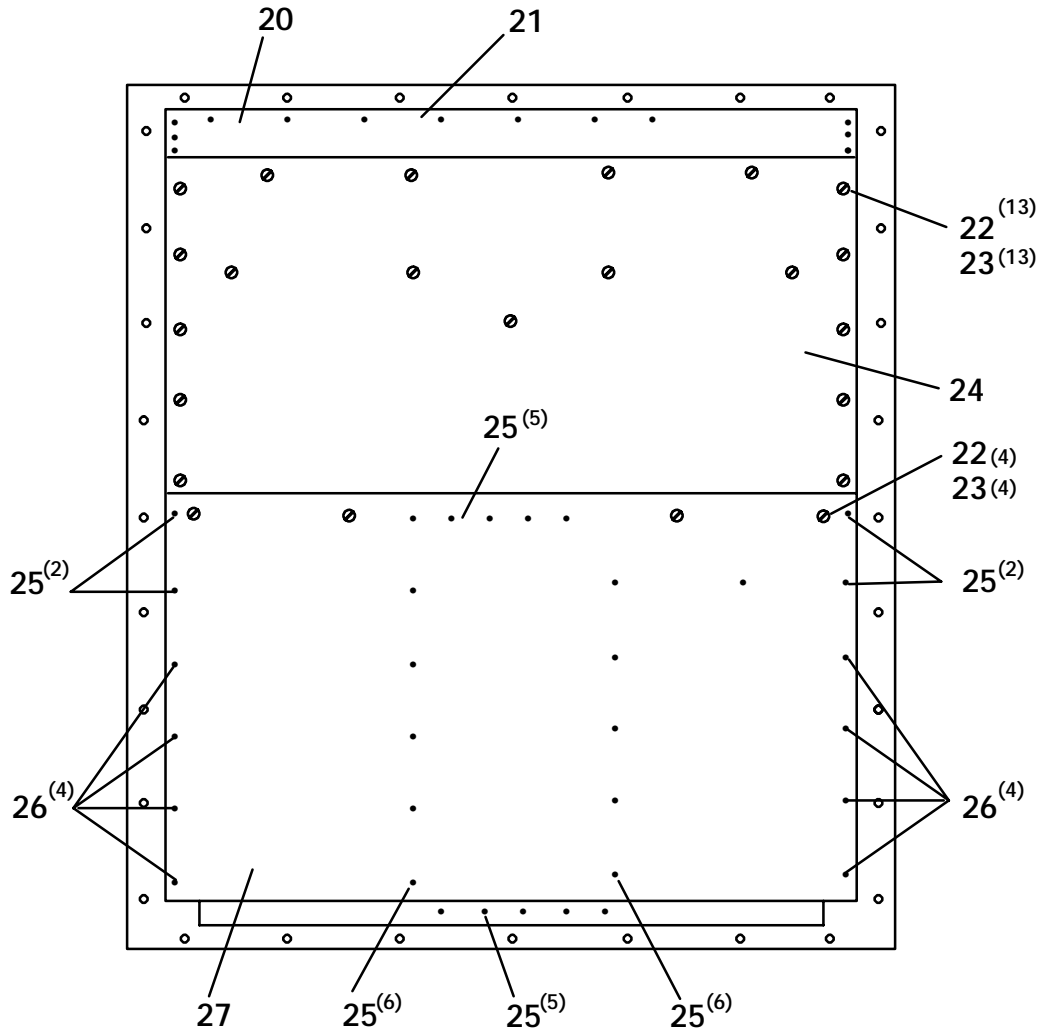


UNITS WITH HINGED PANELS

1	69NT20-218	Grille, Top (69NT20)	1
1	69NT40-614	Grille, Top (69NT40)	1
2	PL	Rivet, Blind, 5/16 Diameter, Grip Range - 1/8-1/4	A/R
3	34-01150-31	Receptacle, Retaining (For 1/4 Turn Stud)	15
4	69NT40-578-1	Panel, Upper, CRES - Includes:	1
4	69NT40-634	Panel, Upper (Aluminum) - Includes:	1
NS	NSS	Drain Pan	1
5	69NT35-3282	Hinge	4
6	PL	Rivet, Blind, 1/4 Diameter, Grip Range - 1/8-3/16	A/R
7	PL	Rivet, Blind, 1/4 Diameter, Grip Range - 3/16-1/4	A/R
8	69NT35-3494	Panel - CRES	1
8	69NT35-3014	Panel (Aluminum)	1
9	34-01150-04	Stud, 1/4 Turn, 31/32 lg, Grip Range - 9/64-13/64	14
10	34-01150-30	Washer, Retaining	15
11	34-01150-06	Stud, 1/4 Turn, 1.03 lg, Grip Range - 13/64-17/64	1
NS	66U1-8075F20	Gasket (20 Foot, Cut to length)	A/R

ITEM	PART NO.	DESCRIPTION	QTY
------	----------	-------------	-----

3.10 EVAPORATOR SECTION -- REAR PANELS ATTACHED (CONT'D)

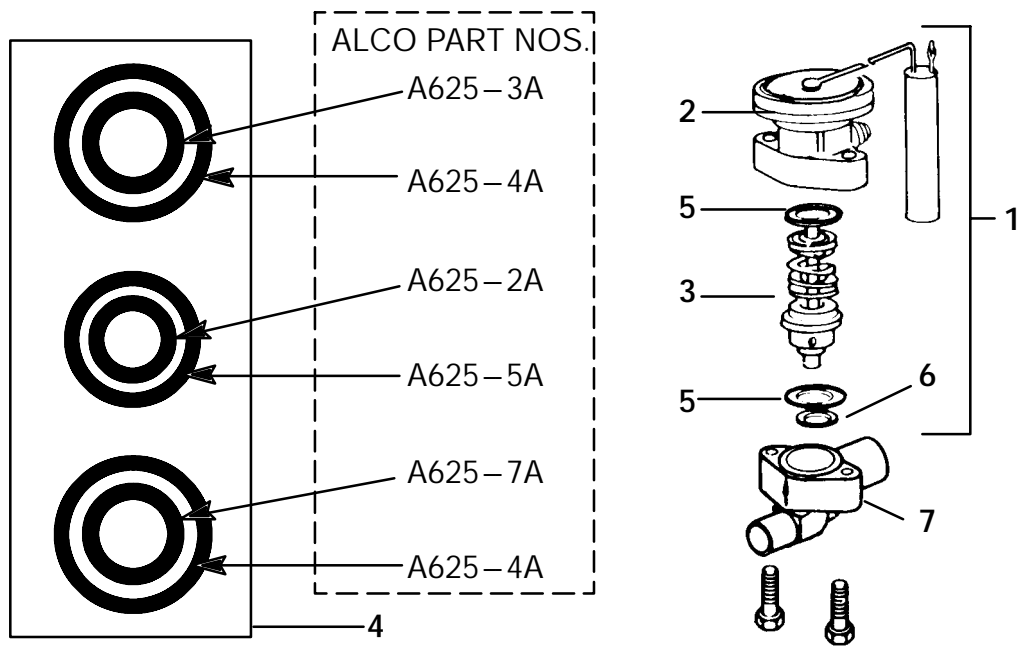


UNITS WITHOUT HINGED PANELS

20	69NT20-218	Grille, Top (69NT20)	1
20	69NT40-614	Grille, Top (69NT40)	1
21	PL	Rivet, Blind, 5/16 Diameter, Grip Range - 1/8-1/4	13
22	PL	Screw, Machine, Truss Head, #10-24 x 1/2 lg - CRES	17
23	PL	Washer, Fender, #10 x 1.00 OD - CRES	17
24	69NT40-624-1	Panel, Upper - Includes:	1
NS	NSS	Drain Pan	1
25	PL	Rivet, Blind, 1/4 Diameter, Grip Range - 1/8-3/16	A/R
26	PL	Rivet, Blind, 1/4 Diameter, Grip Range - 3/16-1/4	A/R
27	69NT35-3014	Panel, Lower Back	1
NS	66U1-8075F20	Gasket (20 Foot, Cut to length)	A/R

ITEM	PART NO.	DESCRIPTION	QTY
------	----------	-------------	-----

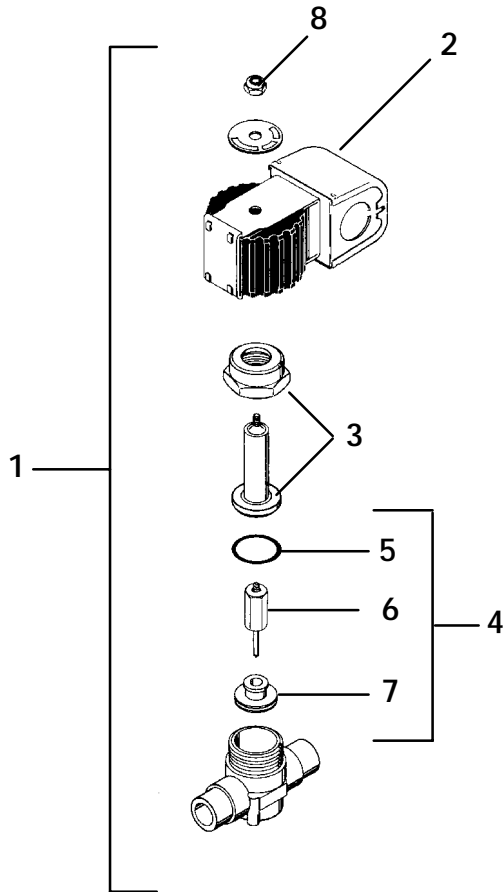
3.11 THERMOSTATIC EXPANSION VALVE -- Alco



1	14-01104-02	Kit, Repair (69NT20) – Includes:	1
1	14-01104-03	Kit, Repair (69NT40) – Includes:	1
2	NSS	Power Head Assembly and Gasket, Item 5	1
3	NSS	Cage Assembly and Gasket, Item 6	1
4	66U1-6225	Gasket Set, Universal – Includes:	1
5	NSS	Gasket, Body Flange A625-4A	2
6	NSS	Gasket, Seat – A625-2A	1
7	EA09PB470	Flange, Body (NSI)	1

ITEM	PART NO.	DESCRIPTION	QTY
------	----------	-------------	-----

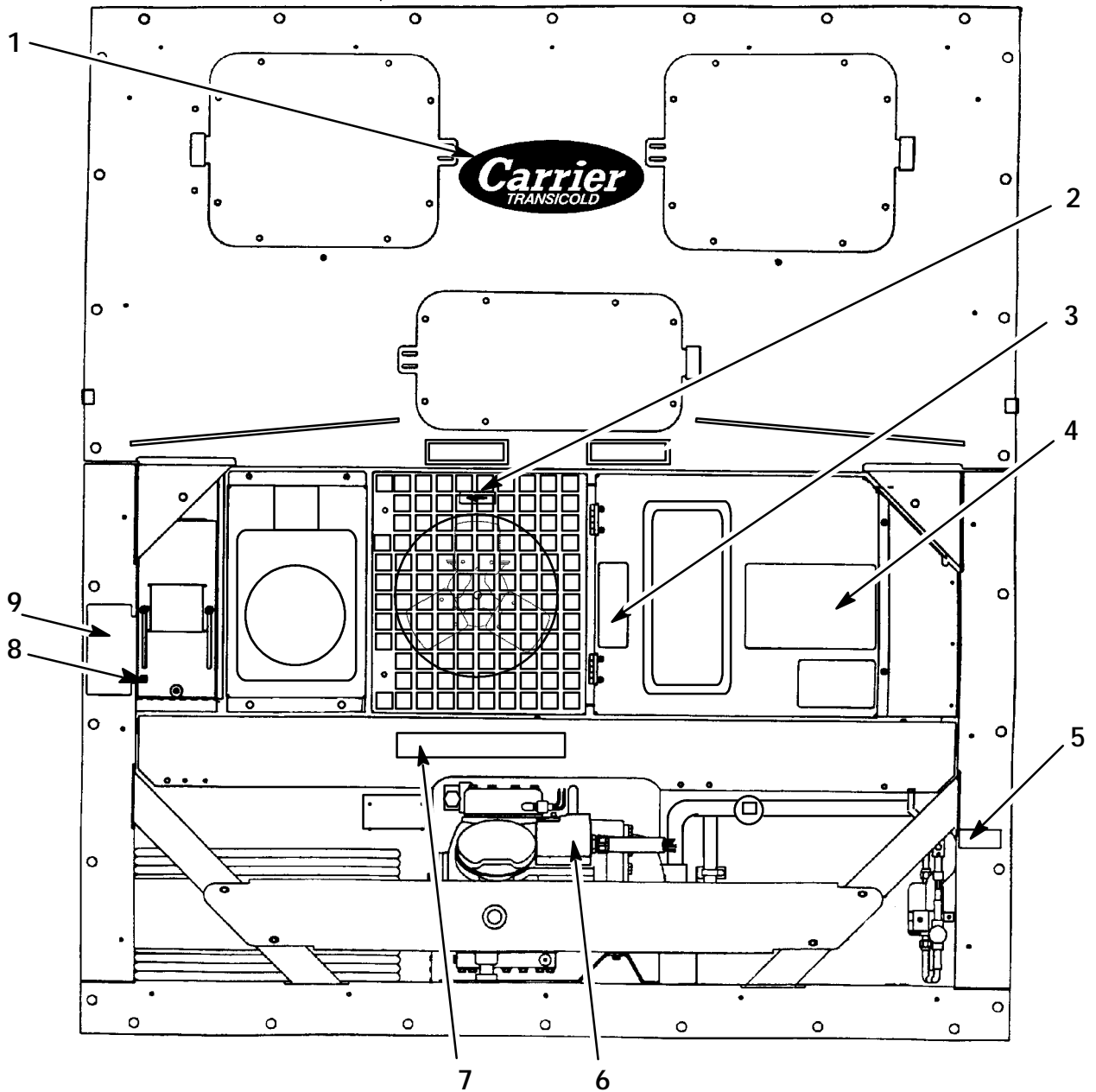
3.12 SUCTION SOLENOID VALVE (69NT40)



1	14-01083	Solenoid Valve, Suction – Includes:	1
2	14-50010	Coil	1
3	NSS	Enclosing Tube	1
4	14-50011	Kit, Repair – Includes:	1
5	NSS	Gasket	1
6	NSS	Stem and Plunger Assembly	1
7	NSS	Seat Disc	1
8	34-50012-00	Screw (Special), Coil Hold Down	1

ITEM	PART NO.	DESCRIPTION	QTY
------	----------	-------------	-----

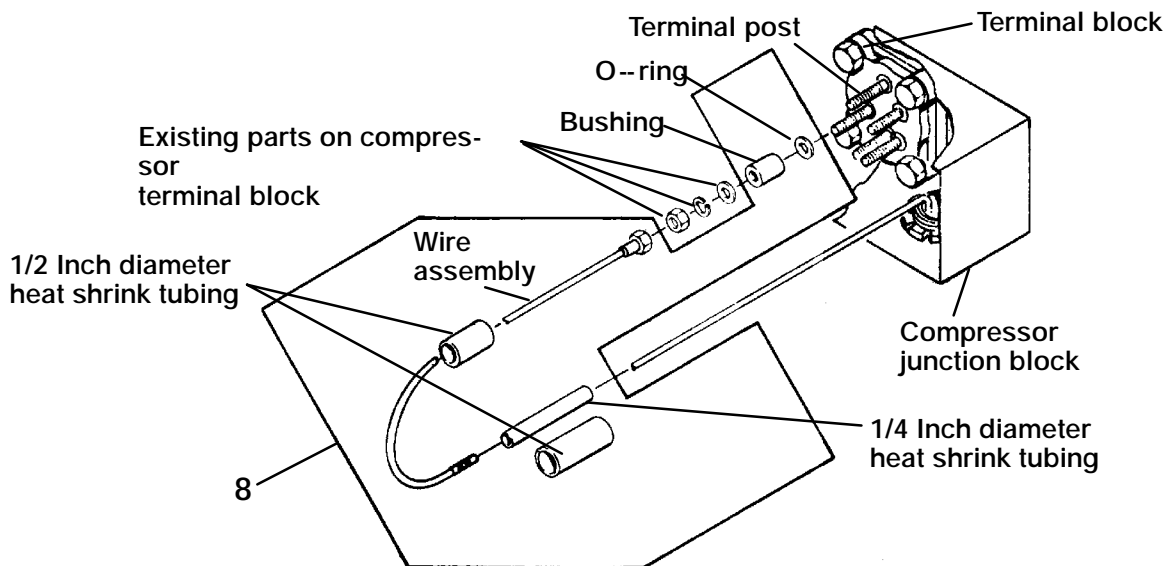
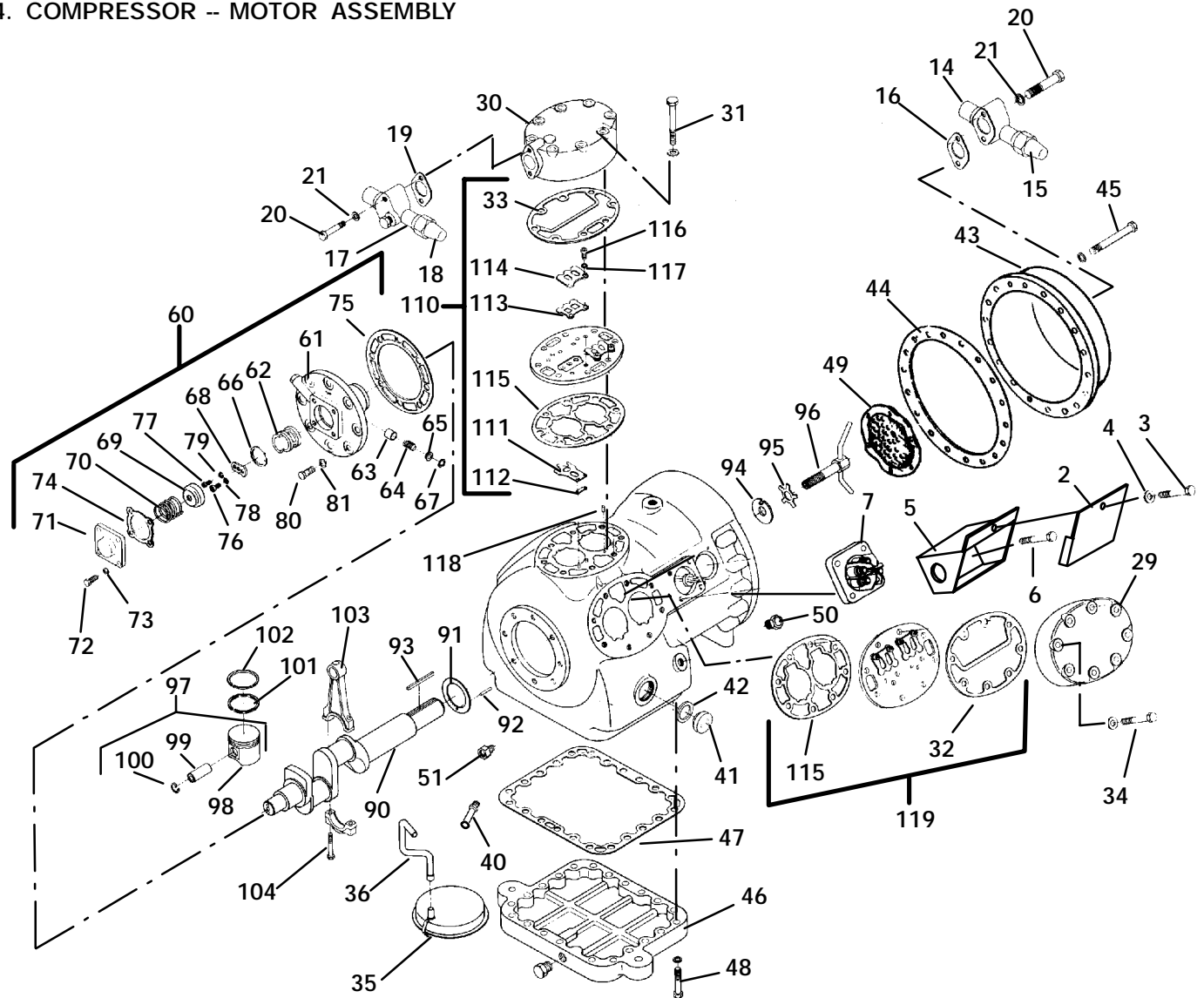
3.13 LABELS AND DECALS



1	62-03642-00	Decal, Carrier Transicold	1
2	66U1-8912	Label, Direction Arrow (NSI)	1
3	69NT20-1634	Label, Fan Warning (NSI) 69NT20--254--7	1
3	69NT35-3944	Label, Fan Warning (NSI) 69NT40--394--7,--10,--11,--13,--21,--22	1
3	69NT35-5644	Label, Fan Warning (NSI) 69NT20--254--8	1
3	69NT35-3164	Label, Fan Warning (NSI)	1
4	69NT20-1644	Label, Operating, Instruction (NSI) 69NT20--254--7	1
4	69NT20-2304	Label, Operating, Instruction (NSI) 69NT20--234	1
4	69NT35-3534	Label, Operating, Instruction (NSI) 69NT40--394--14	1
4	69NT35-4584	Label, Operating, Instruction (NSI) 69NT40--424--1	1
4	69NT35-5094	Label, Operating, Instruction (NSI) 69NT20--254--5/69NT40--394--1,--4,--9	1

ITEM	PART NO.	DESCRIPTION	QTY
4	69NT35-5524	Label, Operating, Instruction (NSI) 69NT20--254--6,--10,--28,--56 69NT40--394--5,--6,--8,--12,--18,--20,--23,--38,--48,--68	1
4	69NT35-5634	Label, Operating, Instruction (NSI) 69NT20--254--8	1
4	69NT35-6494	Label, Operating, Instruction (NSI) 69NT40--394--7,--21,--22	1
4	69NT35-7154	Label, Operating, Instruction (NSI) 69NT40--394--15,--16	1
4	69NT35-7204	Label, Operating, Instruction (NSI) 69NT20--254--9/69NT40--394--19	1
5	66U1-7471	Label, Charge with R-12 (NSI)	1
6	69NT35-3842	Label, Compressor-Frost	1
6	69NT35-3842-2	Label, Compressor-Frost 69NT20--254--7 (NSI)	1
6	69NT35-3842-4	Label, Compressor-Frost 69NT20--254--8 (NSI)	1
7	69NT35-1843	Label, Warning (NSI) 69NT20--254--7	1
7	69NT35-3944	Label, Warning (NSI) 69NT40--394--13	1
7	69NT35-4773	Label, Warning (NSI) 69NT40--394--7,--10,--11,--21,--22	1
8	66CH1-1002-33	Label, Arrow (NSI)	1
9	69NT35-4933	Label, Air Exchange (NSI) 69NT40--394--7,--10,--11,--13,--21	1
9	69NT35-5323	Label, Air Exchange (NSI) 69NT20--234,254--5,--6,--9,--10,--28,--56 69NT40--394--1,--4,--5,--6,--8,--12,--15,--16,--18,--19,--20,--23,--38,--48,--68	1
9	69NT35-6263	Label, Air Exchange (NSI) 69NT20--254--8	1
9	69NT35-6323	Label, Air Exchange (NSI) 69NT40--394--14	1
9	69NT35-8413	Label, Air Exchange (NSI) 69NT40--394--9	1
9	69NT35-8463	Label, Air Exchange (NSI) 69NT20--254--7	1
NS	69NT20-373-30	Plate Assembly, Schematic & Diagram (NSI) 69NT20--234	1
NS	69NT20-373-60	Plate Assembly, Schematic & Diagram (NSI) 69NT20--254--5	1
NS	69NT20-373-69	Plate Assembly, Schematic & Diagram (NSI) 69NT20--254--6,--28	1
NS	69NT20-373-75	Plate Assembly, Schematic & Diagram (NSI) 69NT20--254--7	1
NS	69NT20-373-81	Plate Assembly, Schematic & Diagram (NSI) 69NT20--254--8	1
NS	69NT20-373-80	Plate Assembly, Schematic & Diagram (NSI) 69NT20--254--9	1
NS	69NT20-373-34	Plate Assembly, Schematic & Diagram (NSI) 69NT40--394	1
NS	69NT20-373-33	Plate Assembly, Schematic & Diagram (NSI) 69NT40--394--1	1
NS	69NT20-373-57	Plate Assembly, Schematic & Diagram (NSI) 69NT40--394--4	1
NS	69NT20-373-59	Plate Assembly, Schematic & Diagram (NSI) 69NT40--394--5,--6,--15	1
NS	69NT20-373-64	Plate Assembly, Schematic & Diagram (NSI) 69NT40--394--8,--18,--23,--38,--48	1
NS	69NT20-373-70	Plate Assembly, Schematic & Diagram (NSI) 69NT40--394--9	1
NS	69NT20-373-73	Plate Assembly, Schematic & Diagram (NSI) 69NT40--394--12	1
NS	69NT20-373-77	Plate Assembly, Schematic & Diagram (NSI) 69NT40--394--14	1
NS	69NT20-373-79	Plate Assembly, Schematic & Diagram (NSI) 69NT40--394--16	1
NS	69NT20-373-84	Plate Assembly, Schematic & Diagram (NSI) 69NT40--394--19	1
NS	69NT20-373-71	Plate Assembly, Schematic & Diagram (NSI) 69NT40--424--1	1
NS	69NT20-373-89	Plate Assembly, Schematic & Diagram (NSI) 69NT20--254--10	1
NS	69NT20-373-88	Plate Assembly, Schematic & Diagram (NSI) 69NT40--394--20	1
NS	69NT20-373-66	Plate Assembly, Schematic & Diagram (NSI) 69NT40--394--7,--10,--11,--13,--21,--22	1
NS	69NT20-373-98	Plate Assembly, Schematic & Diagram (NSI) 69NT40--394--68	1
NS	69NT20-373-99	Plate Assembly, Schematic & Diagram (NSI) 69NT20--254--56	1

4. COMPRESSOR -- MOTOR ASSEMBLY



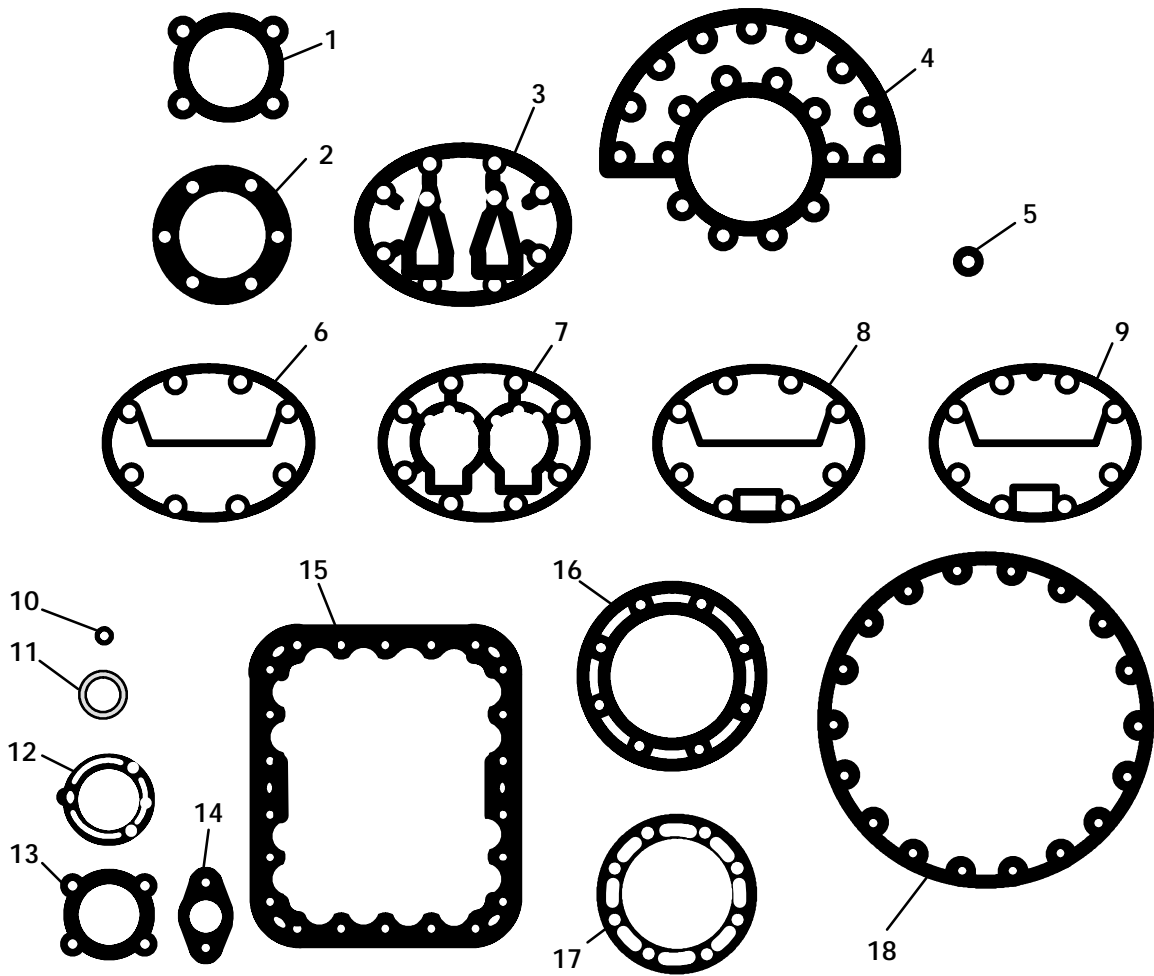
ITEM	PART NO.	DESCRIPTION	QTY
4.1 SERVICE REPLACEMENT COMPRESSOR			
1	06DR7289CC0640	Compressor, 28 CFM, 460 vac/3 ph/60 hz	1
1	06DR7289CC1940	Compressor, 28 CFM, 230/460 vac/3 ph/60 hz	1
1	06DR2379CC0640	Compressor, 37 CFM, 460 vac/3 ph/60 hz	1
1	06DR2379CC1940	Compressor, 37 CFM, 230/460 vac/3 ph/60 hz	1
1	06DR2378CC0650	Compressor, 37 CFM, 460 vac/3 ph/60 hz (Lloyd's of London)(NSI)	1
4.2 TERMINAL MOUNTING AND JUNCTION BOX GROUP			
2	69NT35-3283	Cover, Junction Box	1
3	PL	Screw, Hex Head, #10-24 x 1/2 lg (cover to box)	2
4	PL	Washer, Lock, #10 (cover to box)	2
5	69NT35-377	Junction Box	1
6	PL	Screw, Pan Head, #10-32 x 3/8 lg(box to compressor)	2
NS	79-50015	Junction Box Assembly (Rear Terminals) - Includes:	1
NS	NSS	Junction Box	1
NS	69NT35-3283	Cover, Junction Box	1
7	17-40093-02	Terminal, Compressor (5 Terminals)	1
7	17-40093-01	Terminal, Compressor (6 Terminals)	1
8	76-00355	Kit, Compressor Terminal Wiring	1
NS	76-00384	Kit, Compressor Terminal Wiring(Dual Voltage to Dual/Single Voltage)	1
NS	17-40075-05	Gasket, Terminal Plate	1
4.3 SERVICE VALVE GROUP			
14	14-01042-03	Valve, Suction Shut-Off, 1-1/8" ODS - Includes:	1
15	17-10812	Cap, Seal - Includes:	1
NS	17-10806-02	Gasket, Seal Cap	1
16	17-10811-05	Gasket, Suction Service Valve	1
17	14-01042-04	Valve, Discharge Shut-Off, 7/8 ODS - Includes:	1
18	17-10812	Cap, Seal - Includes:	1
NS	17-10806-02	Gasket, Seal Cap	1
19	17-10811-05	Gasket, Discharge Service Valve	1
20	17-40012	Bolt, Hex Head, 5/16-18 x 2 lg - CRES	2
21	17-40013	Gasket, Bolt, 5/16	2
4.4 COMPRESSOR--MOTOR BODY GROUP			
NS	-	Gasket Set (Refer to paragraph 4.8)	
29	17-21040	Cylinder Head - Side Bank (Shaved Head)	2
30	17-40016	Cylinder Head - Center Bank	1
31	17-40018	Screw, Hex Hd-Center Hd, 3/8-16 x 3 lg-SAE Grade 5	8
31	17-55001	Gasket, Cylinder Head - Side Bank (Standard)	2
33	17-55006	Gasket, Center Cylinder Head	1
34	17-40017	Screw, Hex Hd, 3/8-16 x 2-1/2 lg - SAE Grade 5	24
35	17-40020	Screen Assembly, Oil Filter	1
36	17-40021	Tube, Oil Suction	1
40	17-44011	Valve, Oil Relief	1

ITEM	PART NO.	DESCRIPTION	QTY
4.4 COMPRESSOR--MOTOR BODY GROUP (CONT'D)			
41	17-10218	Sight Glass Package, Oil Level – Includes:	1
42	17-10218-02	Gasket, Sight Glass	1
43	17-20004	Cover, Motor End (NSI)	1
44	17-40029-05	Gasket, Motor End Cover	1
45	PL	Screw, Hex Head, 7/16-14 x 1-1/4 lg – SAE Grade 5	18
46	17-40032	Plate, Bottom	1
47	17-40033-05	Gasket, Bottom Plate	1
48	17-40034	Screw, Hex Head, 3/8-16 x 2 lg – SAE Grade 5	22
49	17-20005	Strainer Assembly, Suction (NSI)	1
50	PL	Plug, Pipe, Oil Fill, 1/4	1
51	17-40042	Check Valve Assembly, Oil Return	1
NS	PL	Pipe Plug-(High & Low Pressure Connection & Oil Drain), 1/4-18 NPT	1
4.5 PUMP END GROUP			
60	17-40060	Bearing Head & Oil Pump Package Consists of:	1
61	NSS	Bearing Head and Oil Pump Assembly – Includes:	1
62	NSS	Pump Rotor	1
63	NSS	Pump Vane	2
64	17-40064	Plunger Vane Spring	2
65	17-40065	Plunger Vane Spring Guide	2
66	17-40068	Rotor Retaining Ring	1
67	17-40066	Retaining Ring, Plunger	2
68	17-40071	Oil Pump Drive Segment	1
69	NSS	Guide Vane, Oil Feed	1
70	17-40069	Vane Spring, Oil Feed	1
71	17-40076	Plate, Cover	1
72	17-40077	Screw, Hex Hd, 5/16-18x3/4 lg – SAE Grade 5	4
73	17-40013	Gasket, Screw, 5/16	4
74	17-40075-05	Gasket, Cover Plate	1
75	17-40078-05	Gasket, Bearing Head	1
76	17-40074-01	Screw, Socket Head, 1/4-28 x 5/8 lg (Special)	1
77	17-40072	Screw, Socket Head, #10-32 x 1/2 lg (Special)	1
78	17-10715	Washer, Lock-Drive Segment, 1/4	1
79	17-40073	Washer, Lock-Drive Segment, #10	1
80	17-40037	Screw, Hex Hd, Bearing Hd, 3/8-16x1 lg – SAE Grade 5	8
81	17-40019	Gasket, Capscrew, 3/8	8
4.6 CRANKSHAFT, ROD AND PISTON GROUP			
90	17-21036	Crankshaft (Model 69NT20)	1
90	17-40049	Crankshaft (Model 69NT40)	1
91	17-40050	Washer, Thrust	1
92	17-40048	Pin, Spiral, 5/32 Dia x 5/8 lg	1
93	34-01110	Key, Rotor Drive	1
94	17-10831	Washer, Rotor (NSI)	1
95	17-40046	Washer, Star, Rotor, 5/8 (NSI)	1
96	17-40044	Equalizer Tube Assembly (NSI)	1

ITEM	PART NO.	DESCRIPTION	QTY
4.6 CRANKSHAFT, ROD AND PISTON GROUP (CONT'D)			
97	17-21035	Piston & Pin Pkg (Model 69NT20) – Includes:	6
97	17-55011-01	Piston & Pin Pkg (Model 69NT40) – Includes:	6
98	NSS	Piston	1
99	NSS	Piston Pin	1
100	17-40053	Piston Pin Retainer	2
101	17-40054	Ring Oil	6
102	17-40055	Ring, Compression	6
103	17-40056	Connecting Rod and Cap Assembly – Includes:	6
NS	17-40057	Pin, Dowel	2
104	17-55008	Capscrew – Special	2
4.7 VALVE PLATE GROUP			
110	17-55007	Valve Plate Assembly, Center – Includes:	1
	NSS	Plate, Valve	1
111	17-40082	Valve, Suction	2
112	17-40083	Spring, Suction Valve Positioning	2
113	17-40086	Valve, Discharge	2
114	17-40087	Stop, Discharge Valve	2
33	17-55006	Gasket, Cylinder Head	1
115	17-55002	Gasket, Valve Plate	1
116	17-40081	Screw, Socket Head, 1/4-28 x 3/8 lg	4
117	17-10715	Washer, Lock, 1/4	4
118	17-40057	Dowel, Valve Plate	12
119	17-55003	Valve Plate Assembly – Standard Side Bank – Includes:	2
	NSS	Valve Plate	1
111	17-40082	Valve, Suction	2
112	17-40083	Spring, Suction Valve Positioning	2
113	17-40086	Valve, Discharge	2
114	17-40087	Stop, Discharge Valve	2
32	17-55001	Gasket, Cylinder Head	1
115	17-55002	Gasket, Valve Plate	1
116	17-40081	Screw, Socket Head, 1/4-28 x 3/8 lg	4
117	17-10715	Washer, Lock, 1/4	4

ITEM	PART NO.	DESCRIPTION	QTY
------	----------	-------------	-----

4.8 GASKET SET



–	17-55020-02	Gasket Set – Includes:	1
1	17-40005-05	Gasket, Suction Service Valve (4 Bolt)	1
2	17-44004-05	Gasket, Shaft Seal (05G)	1
3	17-44007-05	Gasket, Valve Plate (05G)	3
4	17-44001-06	Gasket, End Flange (05G) – Includes:	1
5	17-44014	Gasket, Flange Spacer (05G)	2
6	17-55001	Gasket, Cylinder Head–Right and Left (Standard)	2
7	17-55002	Gasket, Valve Plate	3
8	17-55006	Gasket, Cylinder Head – Center	1
9	17-55005	Gasket, Cylinder Head–Right and Left(Unloaders)	2
10	17-40316	Gasket, Oil Supply Tube (O–Ring, 05D)	1
11	17-10218-02	Gasket, Sight Glass	2
12	17-40104-07	Gasket, Unloader Body	2
13	17-40075-05	Gasket, Oil Pump Cover	1
14	17-10811-05	Gasket, Service Valve (2 Bolt)	2
15	17-40033-05	Gasket, Bottom Plate	1
16	17-40078-05	Gasket, Pump End Bearing Head	1
17	17-40319-05	Shaft Seal (05D)	1
18	17-40029-05	Gasket, Motor End Cover	1